

Technical Manual

JBL VT4889

SPECIFICATIONS



ACOUSTIC & ELECTRICAL SPECIFICATIONS:

- Frequency Response: 45 Hz-16 kHz (± 3 dB)
- Max Peak Output: 136 dB to 146 dB @ 1M (Frequency/Bandpass Dependent)
- Recommended Signal Processing: Digital System Controller: dbx 480, BSS 366, XTA 226 Supported
- Horiz Coverage Angle: 90 deg Nominal, 250 Hz-16 kHz (-6 dB)
- Vert Coverage Angle: Varies With Array Size and Configuration

SYSTEMS COMPONENTS:

- Cabinet: Enclosure Assembly C4889
- Grille: Grille, Left (337763-002)
Grille, Right (337763-001)
- Low Frequency Transducer: (2) x 2255HPL, 380 mm (15 in.)
76 mm (3 in.) Dual Coil Differential Transducer, Direct Cooled
- Nominal Impedance: (Each Driver) 8 ohms
- Input Power Rating: (Per Driver) System Bandpass (600 W per Driver)
- Bandpass Sensitivity: 99 dB, *SPL (System Bandpass)
DC Resistance: 5.0 ohm $\pm 10\%$
- Mid Range Transducer: (4) x 2250HPL, 203 mm (8 in.)
76 mm (3 in.) Dual Coil Differential Transducer, Direct Cooled
- Nominal Impedance: (Driver, Bandpass) 8 ohms, Wired Series Parallel

SYSTEM COMPONENTS: (CONT'D)

- Input Power Rating: System Bandpass (300 W Per Driver)
(Bandpass, Driver)
- Bandpass Sensitivity: 102 dB, 1 Watt @ 1 Meter SPL
(System Bandpass)
- DC Resistance: 5.2 ohm $\pm 10\%$
- High Frequency Transducer: (3) x 2435 HPL, 76 mm (3 in.)
Beryllium Diaph Voice Coil,
38 mm (1.5 in.) Throat Diameter
16 ohm, Wired in Series
- Nominal Impedance: (Bandpass)
- Input Power Rating: System Bandpass (75 W Per Driver)
(System Bandpass)
- Bandpass Sensitivity: 116 dB, *SPL (System Bandpass)
- DC Resistance: 4.0 ohm $\pm 10\%$
- Input Panel: NL8MPR (2 Each)
Panel P/N 338647-001

AURAL SWEEP TEST SPECIFICATIONS:

- A. LF. Aural Sweep Test: 10.0V Input, 20 Hz to 200 Hz
- B. MF. Aural Sweep Test: 7.0V Input, 20 Hz to 1 kHz
- C. HF. Aural Sweep Test: 0.75V Input, 1 kHz to 16 kHz

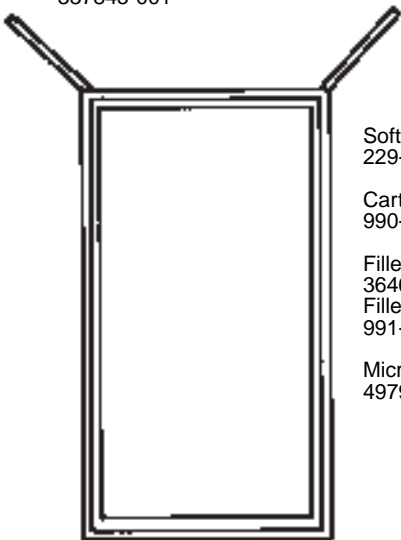
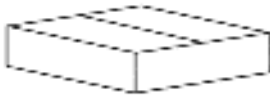
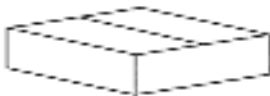
PHYSICAL SPECIFICATIONS:

- Enclosure Dimensions: 489 mm x 1213 mm x 546 mm D
(19.25 x 47.75 x 21.0 in. D)
- Net Weight: 159 lbs. (72 kg)
Incl. rigging frames and hinge bars

WARRANTY INFORMATION:

- Refer to Warranty Statement packed with each product.

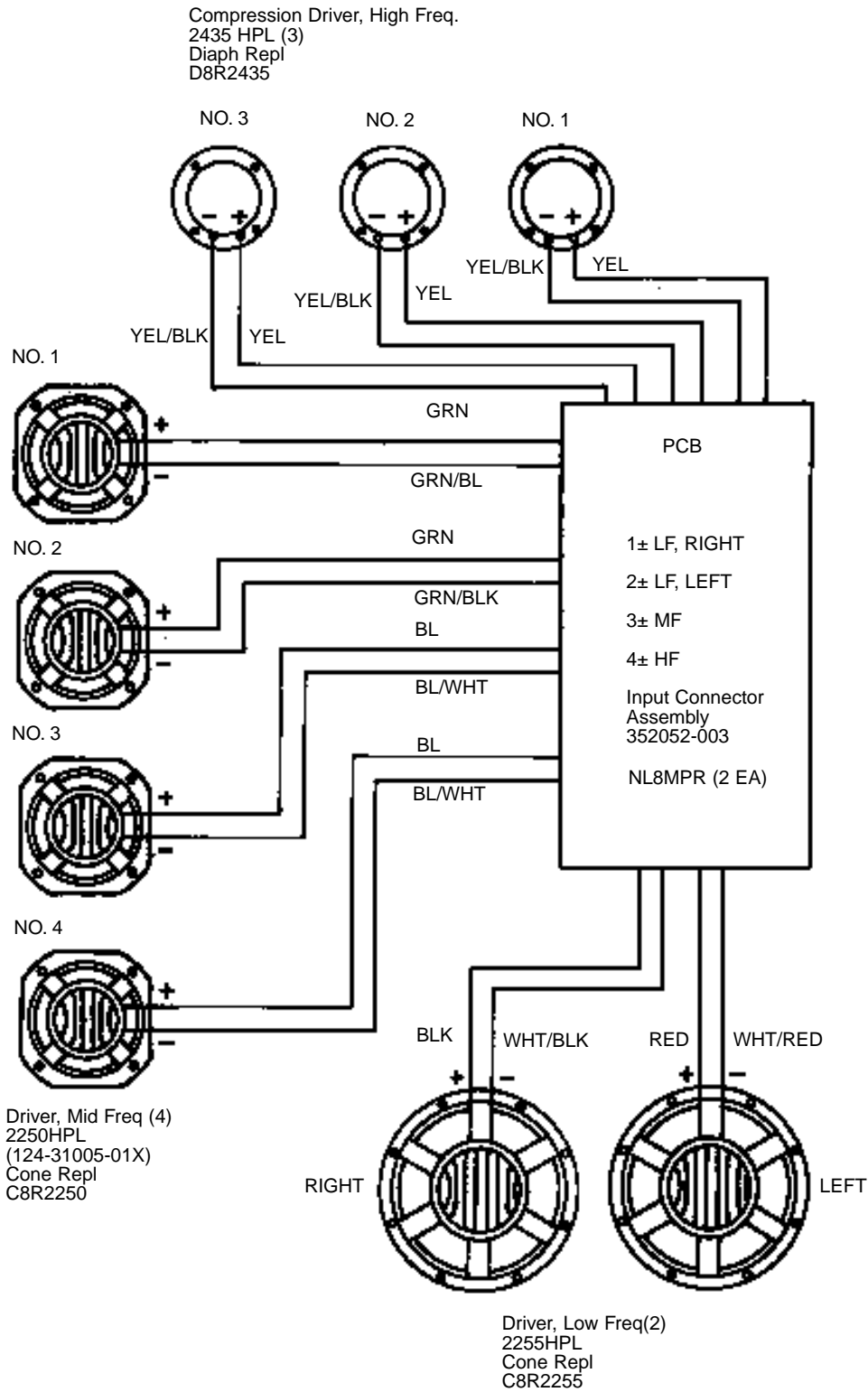
PACKAGE

<p>Specification Sheet 337845-001</p> 	<p>Soft Cover 229-00024-00</p> <p>Carton VT4889 990-00224-00</p> <p>Filler, Top and Bottom (2) 364680-001 Filler, Bottom (2) 991-00239-00</p> <p>Microfoam Packaging (8) 49790P</p>	 <p>910-00035-01 (1) Ferro fluid vial w/ blotter paper and instruction sheet</p>  <p>910-00035-02 (12) Ferro fluid vials w/ blotter paper and instruction sheet</p>	<p><u>JBL VT4889-AF</u></p> <p>Carton 990-00233-00</p> <p>Filler (2) 991-00258-00</p> <p>Specification Sheet 336890-001</p>	<p><u>JBL VT4889-SF</u></p> <p>Carton 990-00232-00</p> <p>Filler (2) 337616-001</p> <p>Specification Sheet 336890-001</p>
---	---	---	---	---

JBL VT4889 REV AAC

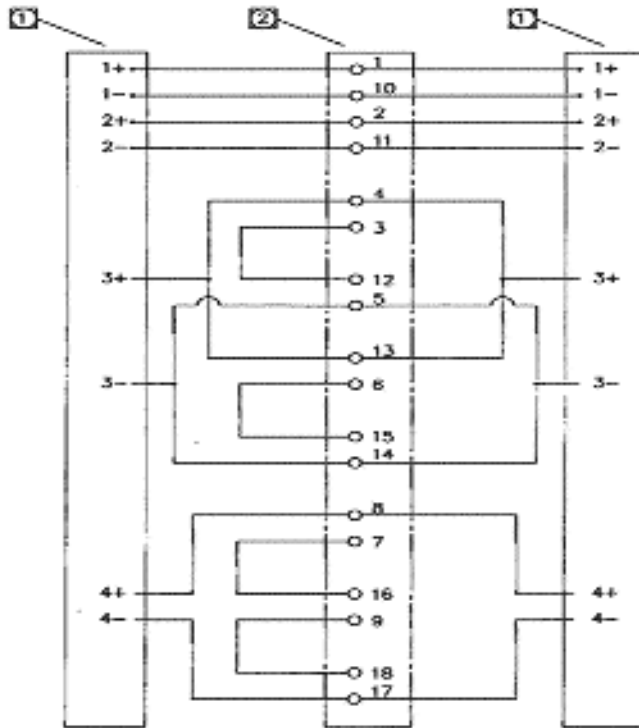
JBL VT4889

WIRING DIAGRAM

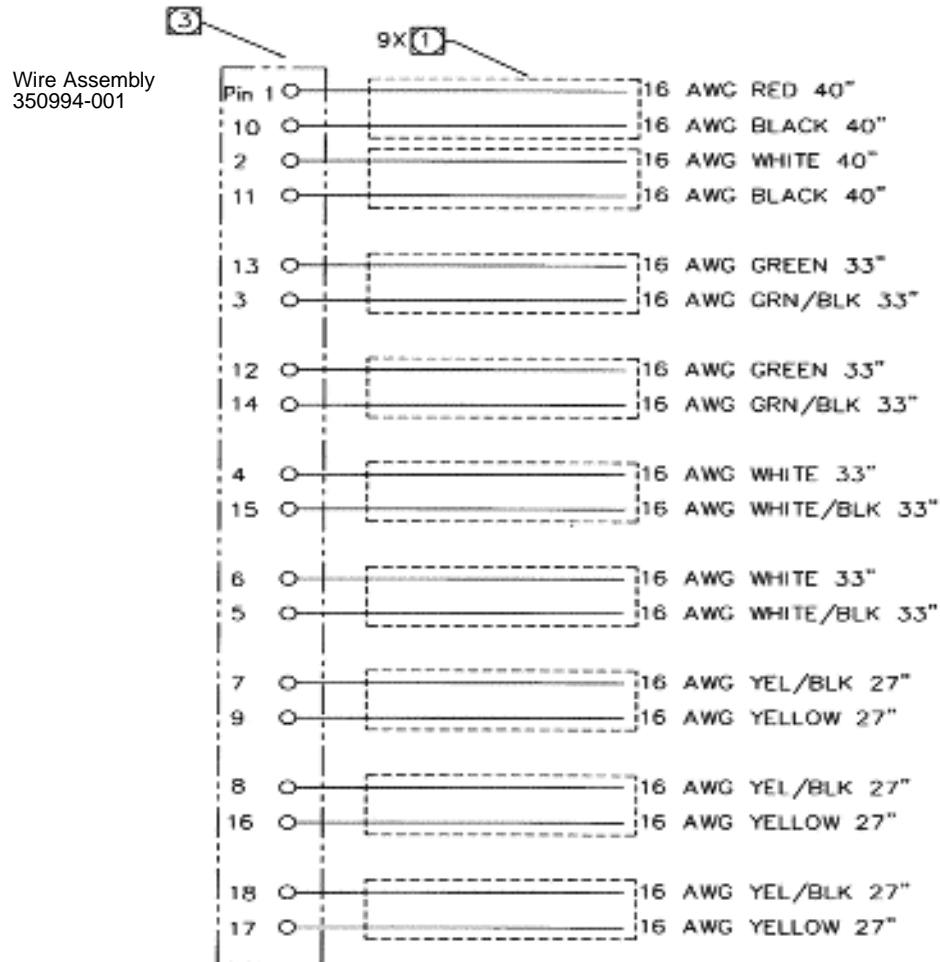


JBL VT4889

SCHEMATIC DIAGRAMS



Connector Assembly
350971-001

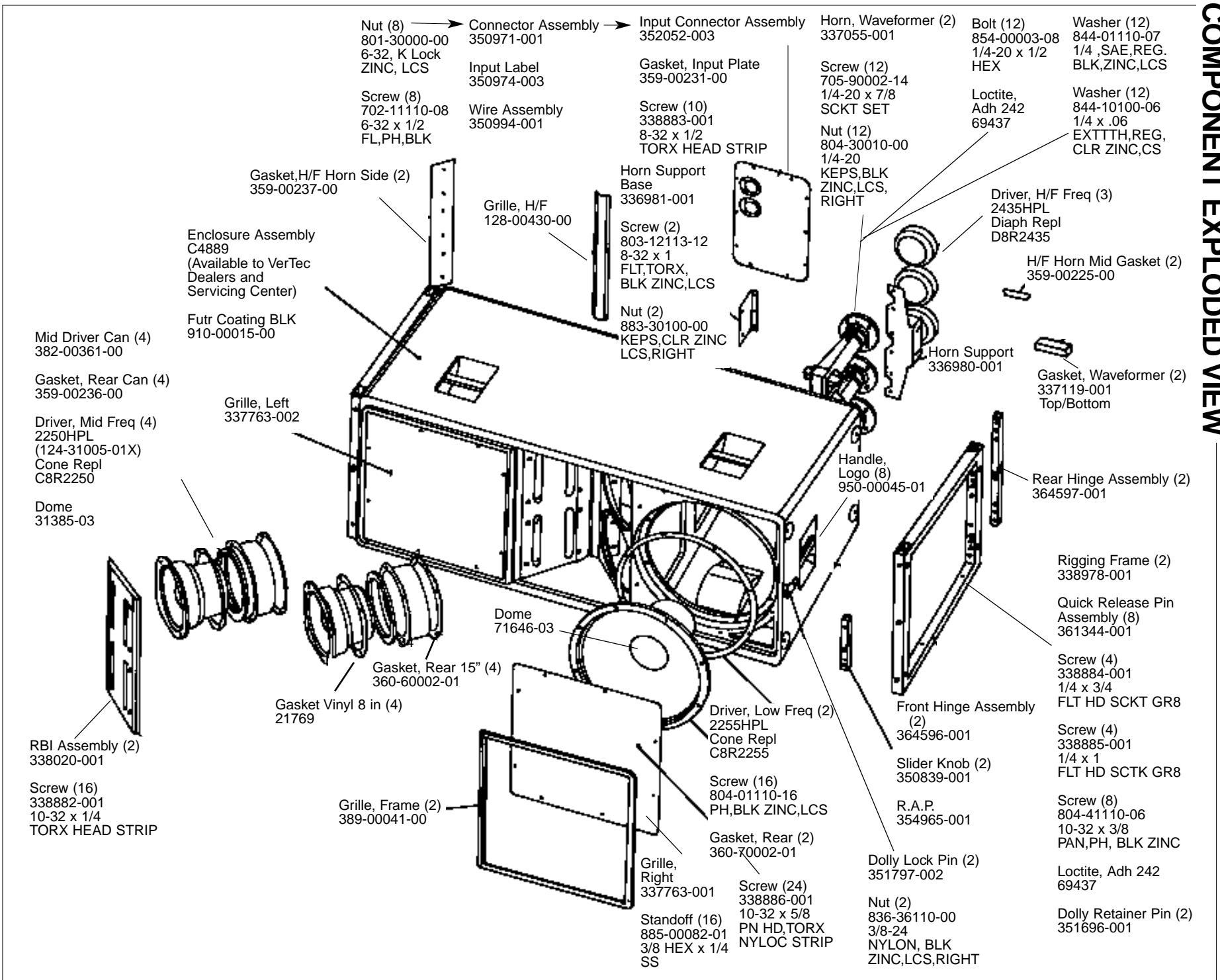


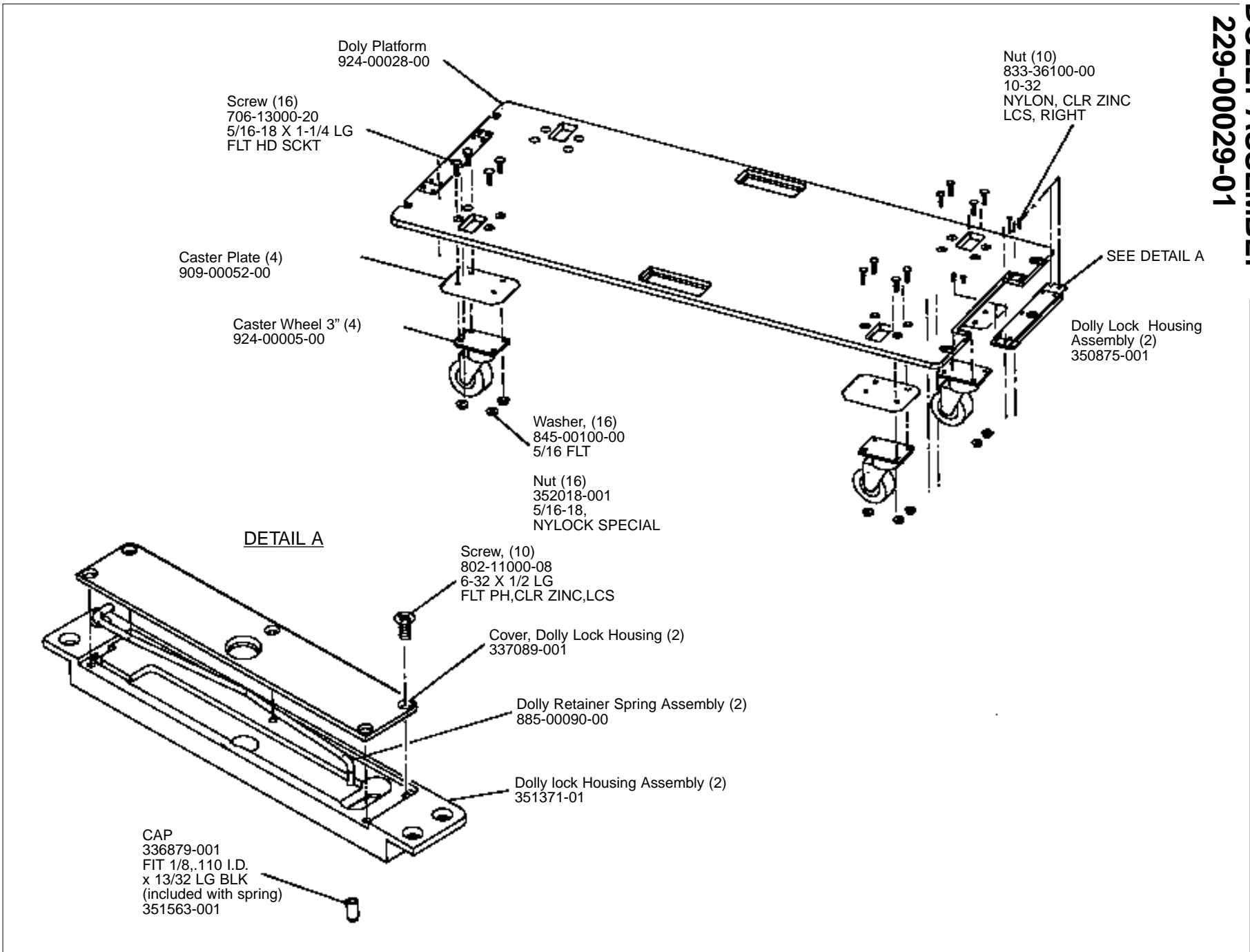
Wire Assembly
350994-001

JBL VT4889

COMPONENT EXPLODED VIEW

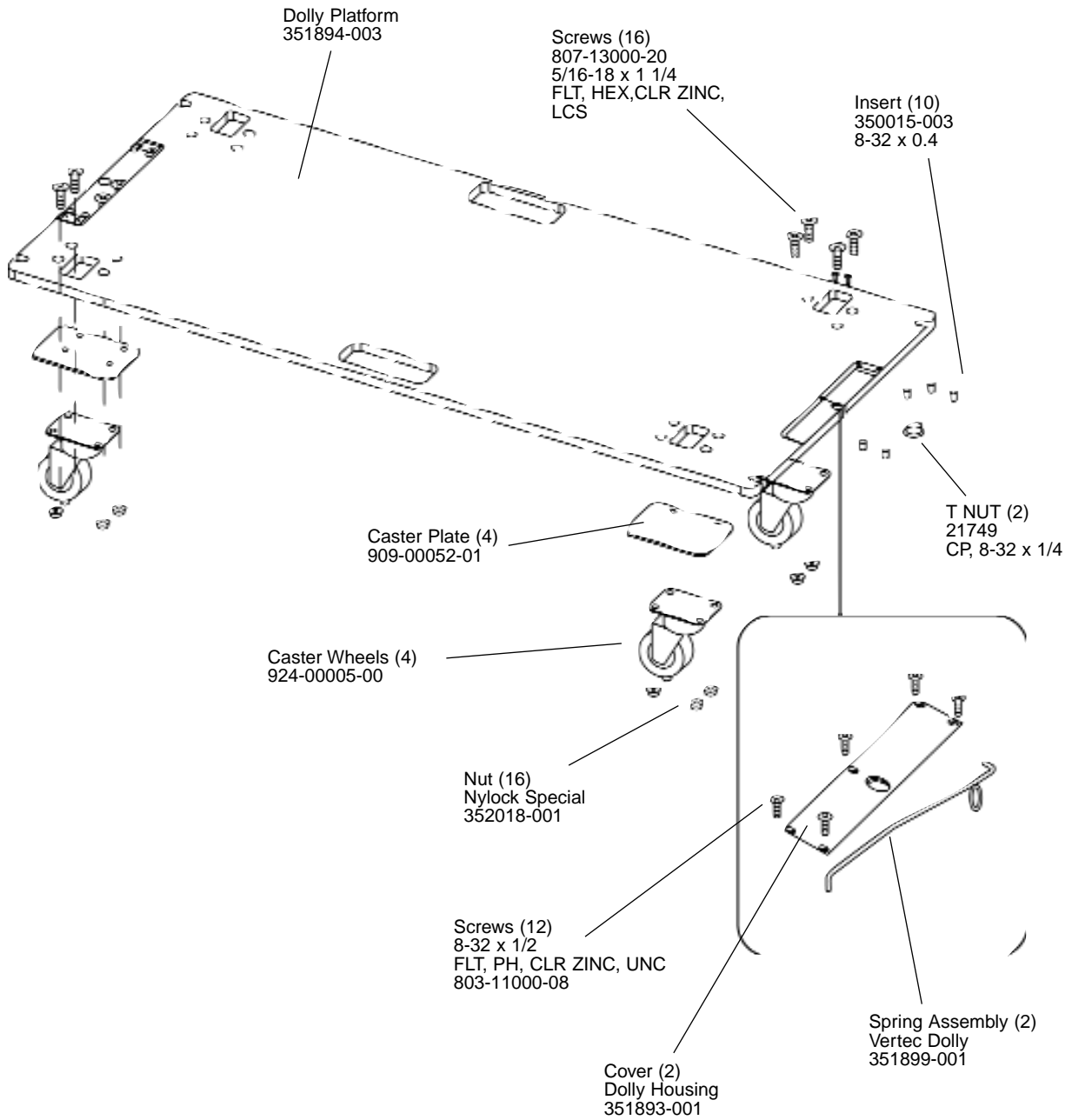
JBL VT4889





DOLLY ASSEMBLY

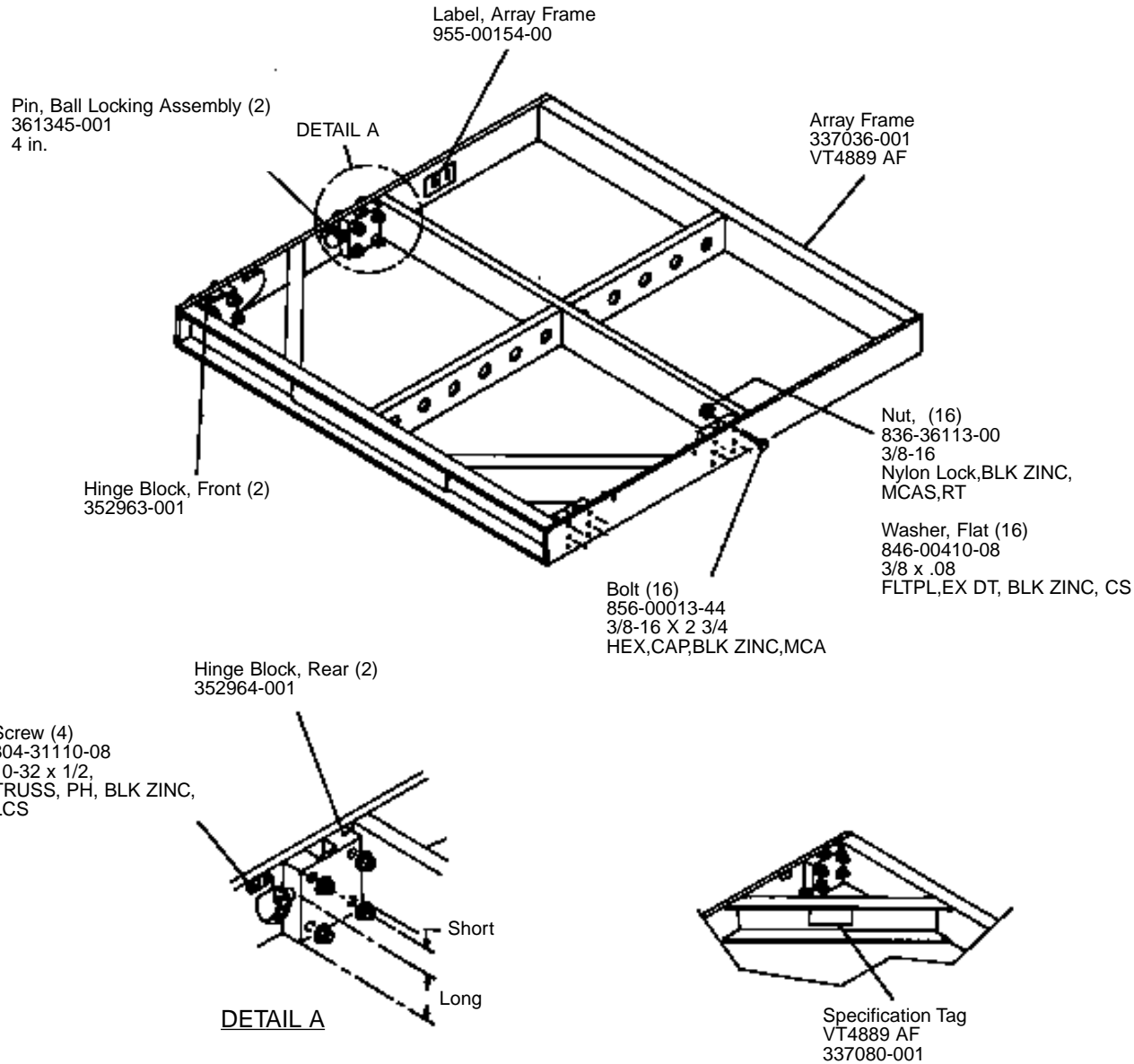
229-00029-02



JBL VT4889-AF

ARRAY FRAME

JBL VT4889-AF



VT4889-AF (Array Frame)

The VT4889-AF array suspension frame is crafted of 6061 Grade heat-treated aluminum. It includes 11 (eleven) attachment holes for fitting 6.5-ton shackles. Each of these holes is fitted with a bronze bushing for longer life. These holes are set on approximately 102mm (4") centers. Each hole has an I.D. (Inner Diameter) of 25.4mm (1").

The frame includes four receiver blocks, designed to attach Hinge Bars from the VT4889 enclosures. These blocks are made of 7075 Grade aluminum. They are coupled with Grade 8 bolts, and the attached steel quick release pins are secured with stainless steel restraining lanyards.

The VT4889-AF weighs 45 kilograms (100 lbs.) It measures approximately 1257mm x 1129mm x 102mm (49.5" x 44.45" x 4").

VT4889 Manual
336890-001

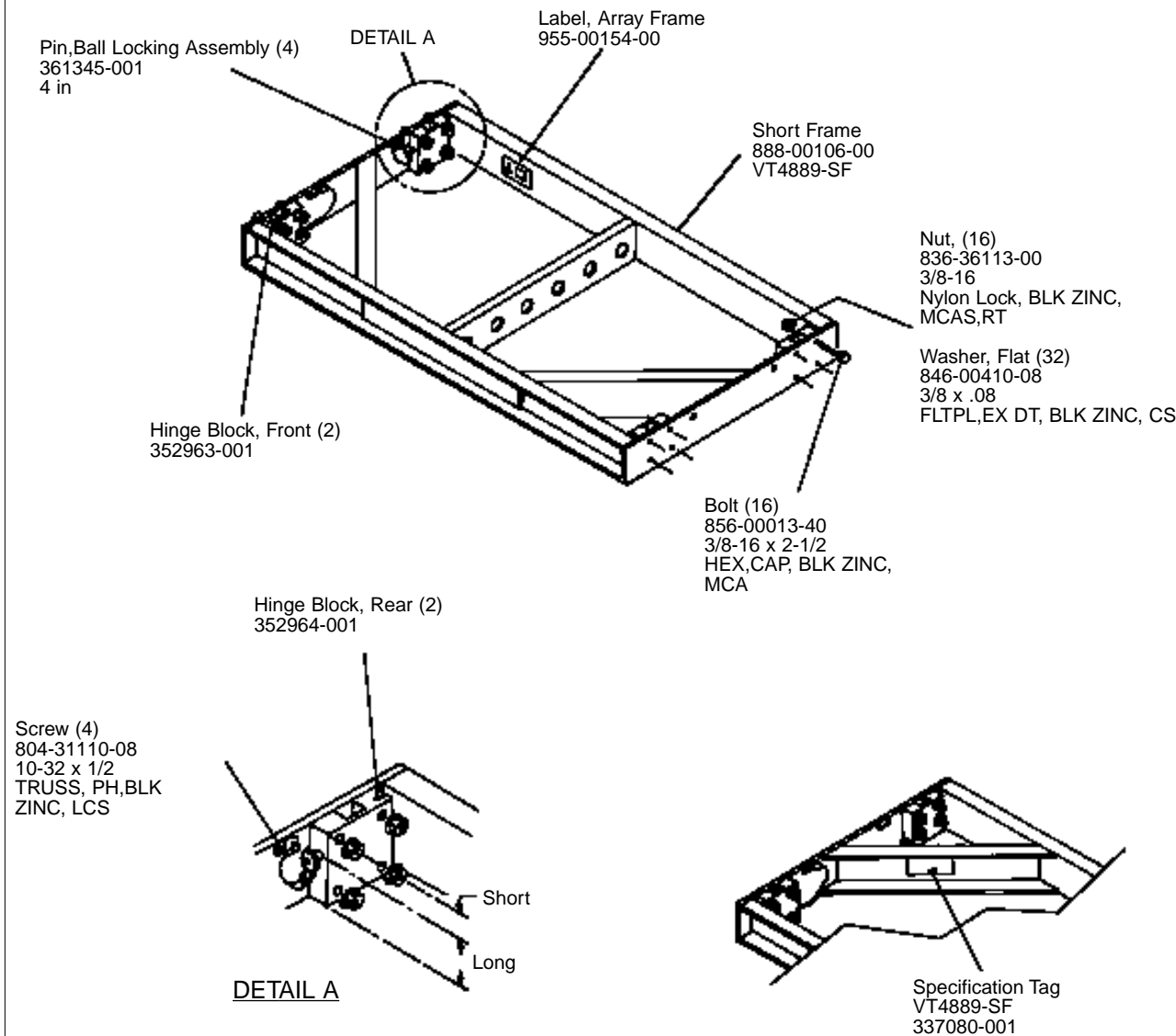
JBL VT4889-SF

ARRAY FRAME (Short Frame)

VT4889-SF (Short Frame)

Like the larger VT4889-AF, the Short Frame is crafted of 6061 Grade heat-treated aluminum. It includes 6 (six) attachment holes. Each hole is fitted with a bronze bushing for longer life. These holes are set on approximately 102mm (4") centers. Each hole has an I.D. (Inner Diameter of 25.4mm (1")). The frame includes four receiver blocks, designed to attach Hinge Bars from the VT4889 enclosures. These blocks are made of 7075 Grade aluminum. They are coupled with Grade 8 bolts, and the attached steel quick release pins are secured with stainless steel restraining lanyards.

The VT4889-SF weighs only 23.6 kilograms (52 lbs.). It measures approximately 1257mm x 660mm x 102mm (49.5" x 26" x 4").



JBL VT4889-SF

JBL VT4889-ASP/MSP/RIG

COMPONENT PARTS LIST

Acoustical Spare Parts, VT4889-ASP			
ITEM NO.	PART NO.	QTY	DESCRIPTION
1	2255HPL	1	S/M 2255HPL
2	2250HPL	2	S/M 2255HPL
3	D8R2435	1	S/M Diaphragm Repl. 2435
4	336890-001	1	SPECIFICATION SHEET VT4889
5	990-00160-00	1	CARTON
Mechanical Spare Parts, VT4889-MSP			
1	364596-001	2	FRONT HINGLE ASSY
2	364597-001	2	REAR HINGLE ASSY
3	336890-002	1	SPECIFICATION SHEET VT4889
4	338978-001	1	FRAME, RIGGING
5	337186-002	1	KIT, LF GRILLE SCREWS
6	337187-001	1	KIT, MF COVER SCREWS
7	337188-001	1	KIT, INPUT PLACE SCREWS
8	337189-001	1	KIT, DOLLY MOUNT ASSY
9	337190-001	1	KIT, PIN ASSY
10	337191-001	1	KIT, CASTER WHEEL ASSY
11	337192-001	1	KIT, SLIDER KNOBS
13	337194-001	1	FILLER, VT4889-MSP
14	337195-001	1	CARTON
15	338884-001	16	SCR, 1/4 X 3/4 FLT HD SOCKET GR8
16	338885-001	16	SCR, 1/4 X 1 FLT HD SOCKET GR8
17	950-00045-00	8	LOGO, HANDLE
18	354965-001		R.A.P.
Rigging Spare Parts, VT4889-RIG			
1	364596-001	2	FRONT HINGE ASSY
2	364597-001	2	REAR HINGLE ASSY
3	350839-001	2	SLIDER KNOBS
4	336919-001	1	CARTON VT4889-RIG
6	354965-001	1	R.A.P.

JBL VT4889-ASP/MSP/RIG