

# Technical Manual



# JBL VT4887ADP-AN/CN/DA

## SPECIFICATIONS

### ACOUSTIC & ELECTRICAL SPECIFICATIONS:

- Nominal Impedance: 8 Ohms (drivers wired in series-parallel, passive network)
- DP2 Internal Amplification Output (at normal load): 2200W Peak, 1100 Continuous
- DP2 Output Topology: 2-Channel, Class-I
- Frequency Response: 67 Hz- 20 kHz (±3 dB)
- Frequency Range: 55 Hz- 22 kHz (±10 dB)
- Maximum Peak Output: 136 dB SPL, 1m (Frequency/Bandpass Dependent)
- Signal Processing: dbx Type IV Conversion System, Precision bandpass filters, limiting, pre-equalization, filters and automatic self-tested functions
- AC Power Operating Range: Auto Select 90-132/VAC 50/60 Hz 50/60 Hz, Auto-Detect: 120V/240V (±10%)
- AC Input Connector: Neutrik Powercon
- AC Power Loop-thru: Neutrik Powercon
- AC Current Requirement: 4A per systems at 120V, 3A per system at 240V
- Signal Input: F-LXR Active 20K Ohms Balanced, 10K ohms Unbalanced
- Signal Loop-Through: M-XLR (passive pass-through)
- Controls: Precision 0.5 dB increment Detented 16dB input attenuator

### SYSTEMS COMPONENTS:

- Mid and High Frequency: Mid: (4) 2104H, 101 mm (4 in) with 25.4 mm (1 in) dia. voice coil  
High: (2) 2408H 25 mm (1 in) exit compression driver, 38 mm (1.5 in) voice coil 8 ohms (drivers wired in series-parallel,
- Bandpass Nominal Impedance:
- DC Resistance: 4.2 Ohms ±10%

### AURAL SWEEP TEST SPECIFICATIONS:

- A. System Aural Sweep Test (thru processor measured at the amp output): 140mV, 20 Hz to 20 kHz
- B. LF Woofer Sweep Test: 23.7V, 50 Hz to 2 kHz
- C. MF Woofer Sweep Test: 4V, 200 Hz to 4 kHz
- D. HF Driver Sweep Test: 0.75V, 200 Hz to 20 kHz

### PHYSICAL SPECIFICATIONS:

- Enclosure Dimensions: 279 mm x 787 mm x 563 mm D (11 x 31 x 22.1 in. D)
- Net Weight: 87.5 lbs. (39.7 kg)

### WARRANTY INFORMATION:

- Refer to Warranty Statement packed with each product.

### SYSTEMS COMPONENTS:

- Cabinet: Enclosure Assembly C4887
- Grille: Left (351533-002), Right (351533-001)
- Low Frequency Transducer: (2) 2168H-1, 203 mm (8") dia., 76 mm (3") Dual Coil, Neodymium Differential Drive, Direct Cooled
- Bandpass Nominal Impedance: 4 Ohms (LF woofers wired in parallel)
- DC Resistance: 5.10 Ohms ±10%

## PACKAGE

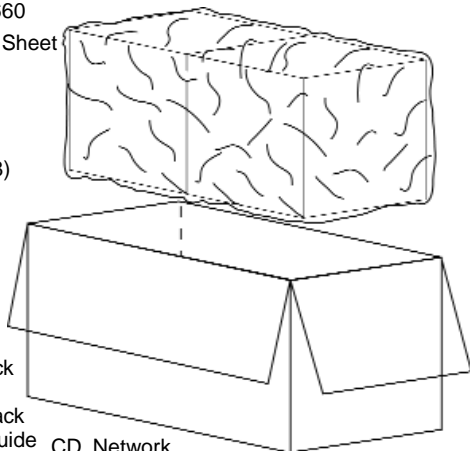
Warranty 59660  
Specification Sheet 362869-001

Filler (2) 362300-001  
Microfoam (8) 49790P  
Carton 362299-001

Protective Jackets 360849-001 (2) Drive Pack

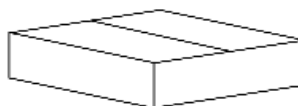
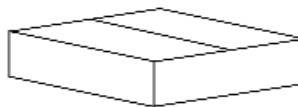
JBL Drive Pack Operators Guide 362870-002  
CD, Network Drive Pack 361908-003

Power Cord Assembly (1) 355040-002  
Edison / Shucko Front Filler (2) 363134-002  
Back Filler (2) 363133-001



Dolly Assembly (VT4887ADP) 350401-003

Carton 350528-001



JBL VT4887-SF

Carton 350712-001

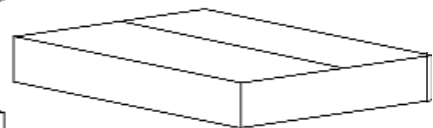
Filler (2) 350713-001

Owner's Manual 350485-001

Filler, Top (2) 351400-001

Filler, Bottom (2) 350529-001

Soft Cover 350527-001



JBL VT4887-AF

Carton 350487-001

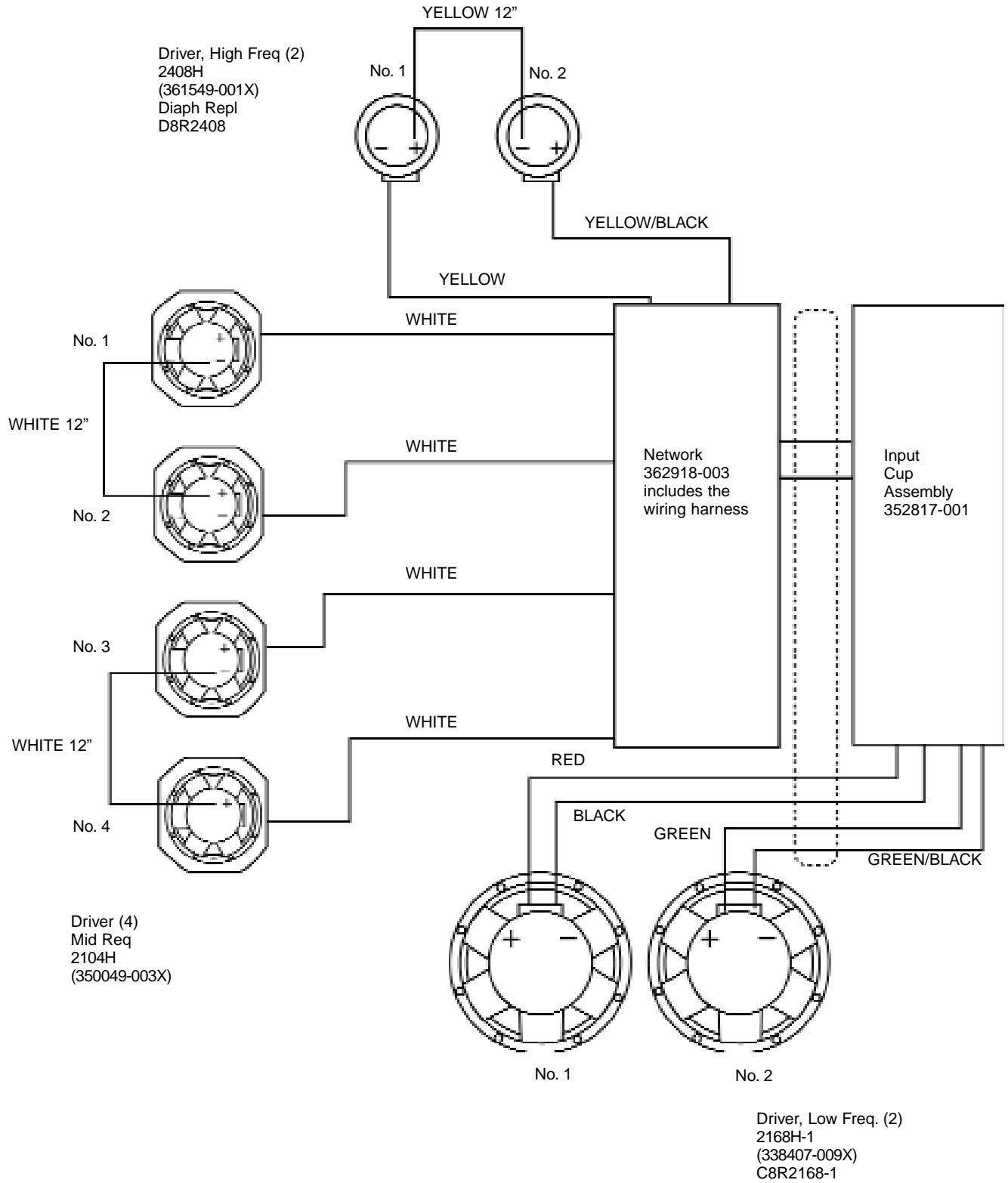
Filler (2) 350486-001

Owner's Manual 350485-001

JBL VT4887ADP-AN/CN/DA REVS

# JBL VT4887ADP-AN/CN/DA

## WIRING DIAGRAM

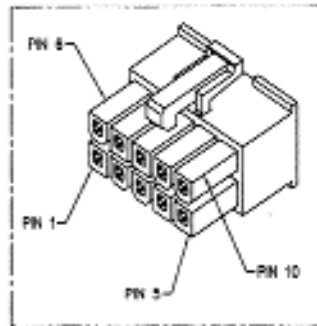
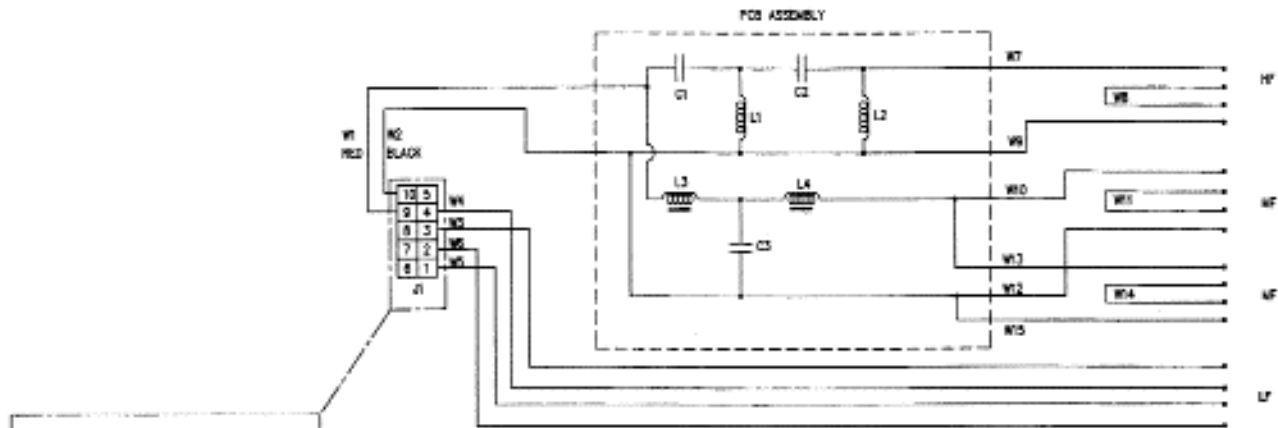


JBL VT4887ADP-AN/CN/DA

# JBL VT4887ADP-AN/CN/DA

## SCHEMATIC DIAGRAMS

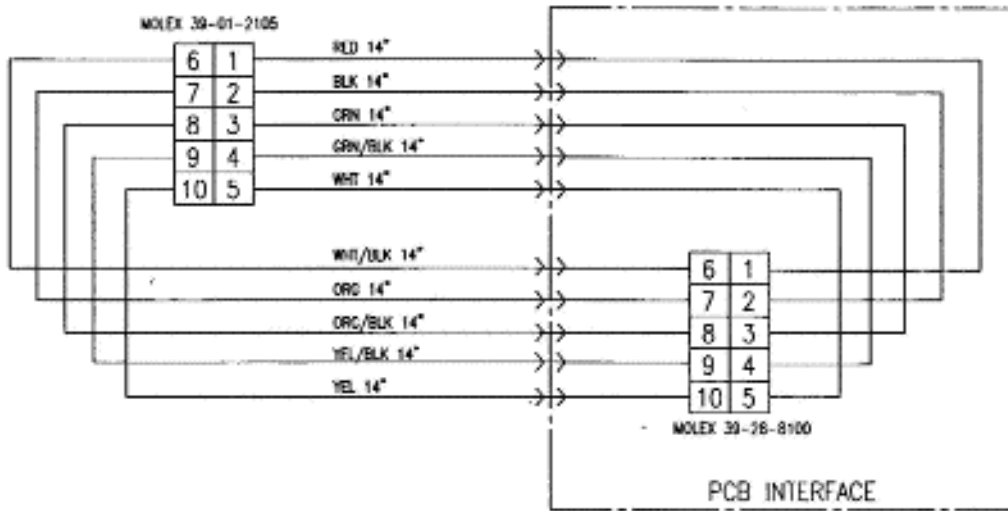
Mid/HF Crossover Network P/N 362918-003



22	12	NYLON NRE TIES	
21	2	NRE, 20" WHI/BLK, 16AWG, FASTON 250 MALE, CSA TYPE TEW	W12, W15
20	2	NRE, 12" BLK, 16AWG, FASTON 250 MALE/FEMALE, CSA TYP TEW	W11, W14
19	2	NRE, 20" WHI, 16AWG, FASTON 250 FEMALE, CSA TYPE TEW.	W10, W13
18	1	NRE, 20" YEL, 16AWG, FASTON 187, CSA TYPE TEW.	W9
17	1	NRE, 12" BLK, 16AWG, FASTON 187 AND FASTON 250, CSA TYPE TEW	W8
16	1	NRE, 20" YEL/BLK, 16AWG, FASTON 250, CSA TYPE TEW	W7
15	2	NRE, 31" GRN/BLK, 16AWG STRIP TN., CSA TYPE TEW	W4, W6
14	2	NRE, 31" GRN, 16AWG STRIP TN., CSA TYPE TEW	W3, W5
13	1	NRE, 15" BLK, 16AWG STRIP TN, CSA TYPE TEW	W2
12	1	NRE, 15" RED, 16AWG STRIP TN, CSA TYPE TEW	W1
11	5	SPACER, Y1-002	
10	5	RIVET, #5 X 7mm	
9	1	PCB, 5.0" X 8.0" FR-4	
8	1	CONNECTOR, MOLEX #39-01-2105, CABLE MOUNT	J1
7	1	COIL, SR2 LAMCORE, 0.4mH/DCR 0.2 OHM, WRE #1.3mm, ENAMEL MUST BE RATED AT 180°	L4
6	1	COIL, SR2 LAMCORE, 1.2mH/DCR 0.4 OHM, WRE #1.3mm, ENAMEL MUST BE RATED AT 180°	L3
5	1	COIL, AIR CORE 0.7mH, 0.4 OHM DCR, WRE #1mm, ENAMEL MUST BE RATED AT 180°	L2
4	1	COIL, AIR CORE 0.28mH, 0.2 OHM DCR, WRE #1mm, ENAMEL MUST BE RATED AT 180°	L1
3	1	CAPACITOR, 16F/250V WT J	C3
2	1	CAPACITOR, 5F/250V WT J	C2
1	1	CAPACITOR, 3F/250V WT J	C1

# JBL VT4887ADP-AN/CN/DA

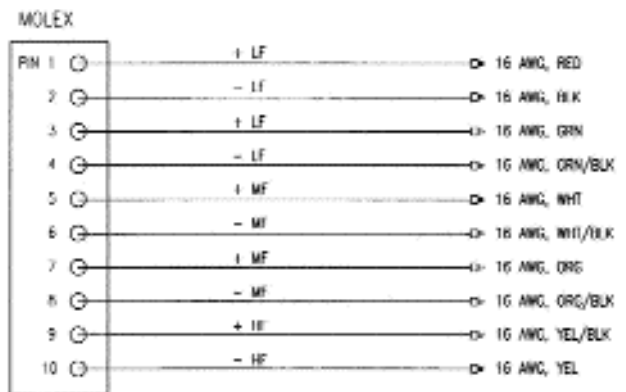
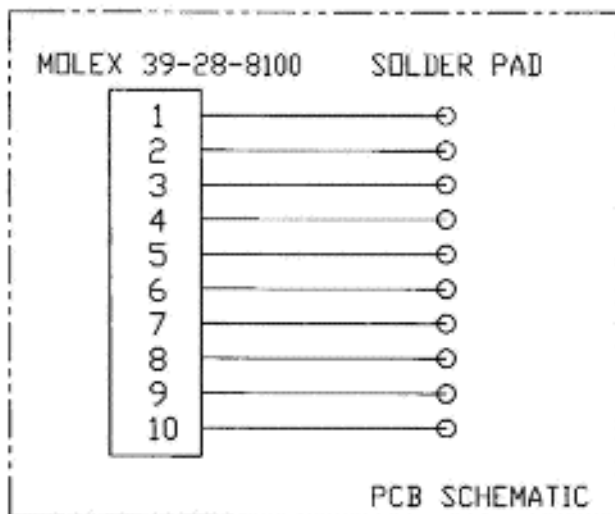
## INPUT CUP ASSEMBLY SCHEMATIC



6	—————	SCREW MOUNT CABLE TIE*
5	—————	#6 X 3/8", TAP SCREW, PAN PH, BLK
4	352818-001	GASKET
3	352087-001	WIRE HARNESS (Ribbon Cable)
2	352270-001	PCB ASSY
1	352271-001	INPUT CUP

352270-001 Connector Assembly Diagram

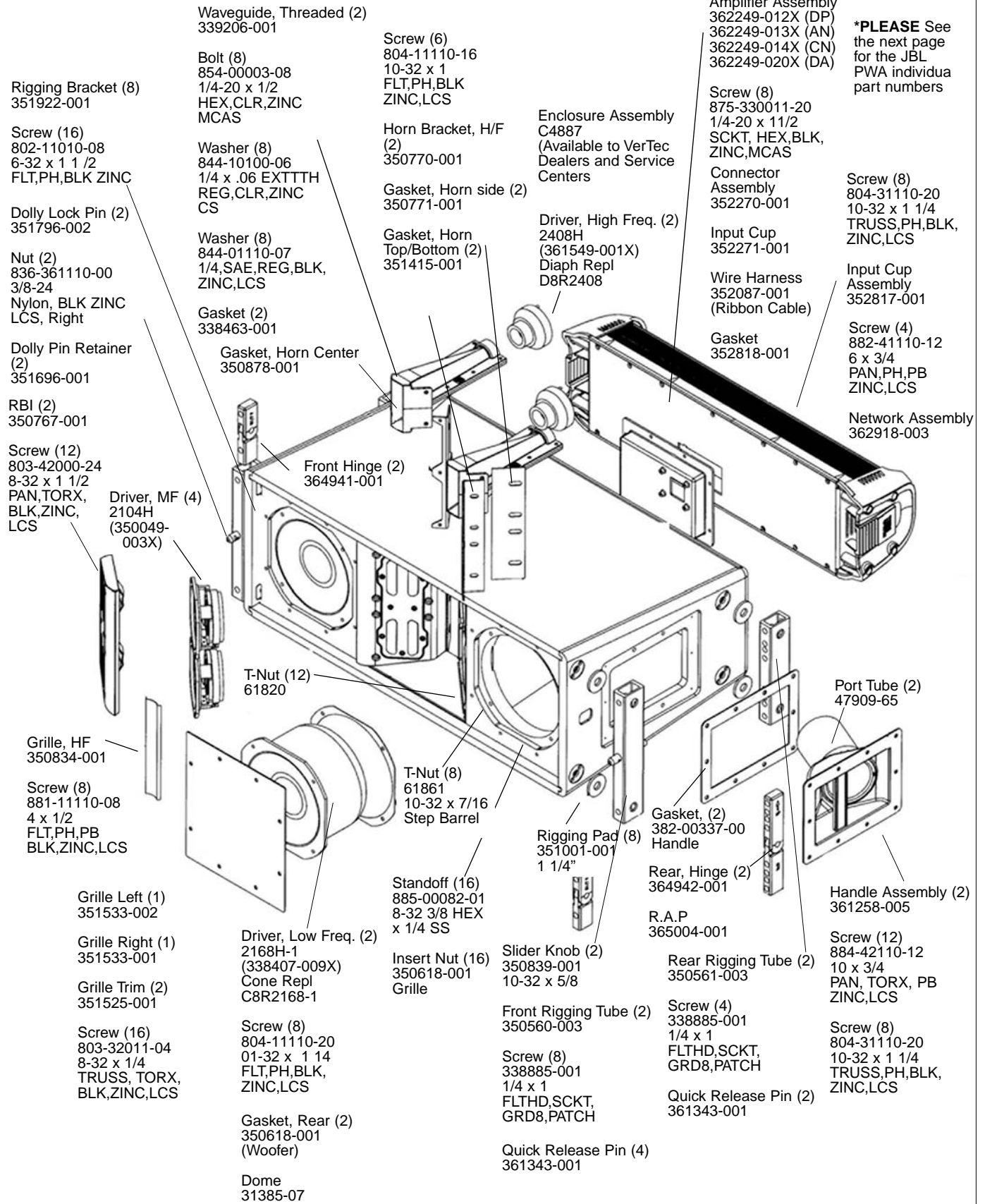
352087-001 Wire Harness Diagram



JBL VT4887ADP-AN/CN/DA

# JBL VT4887ADP-AN/CN/DA

## COMPONENT EXPLODED VIEW



**\*PLEASE** See the next page for the JBL PWA individual part numbers

# DP2 AMPLIFIER ASSEMBLY REFERENCE

## AMPLIFIER ASSEMBLY 362249-001

### Amplifier Assemblies

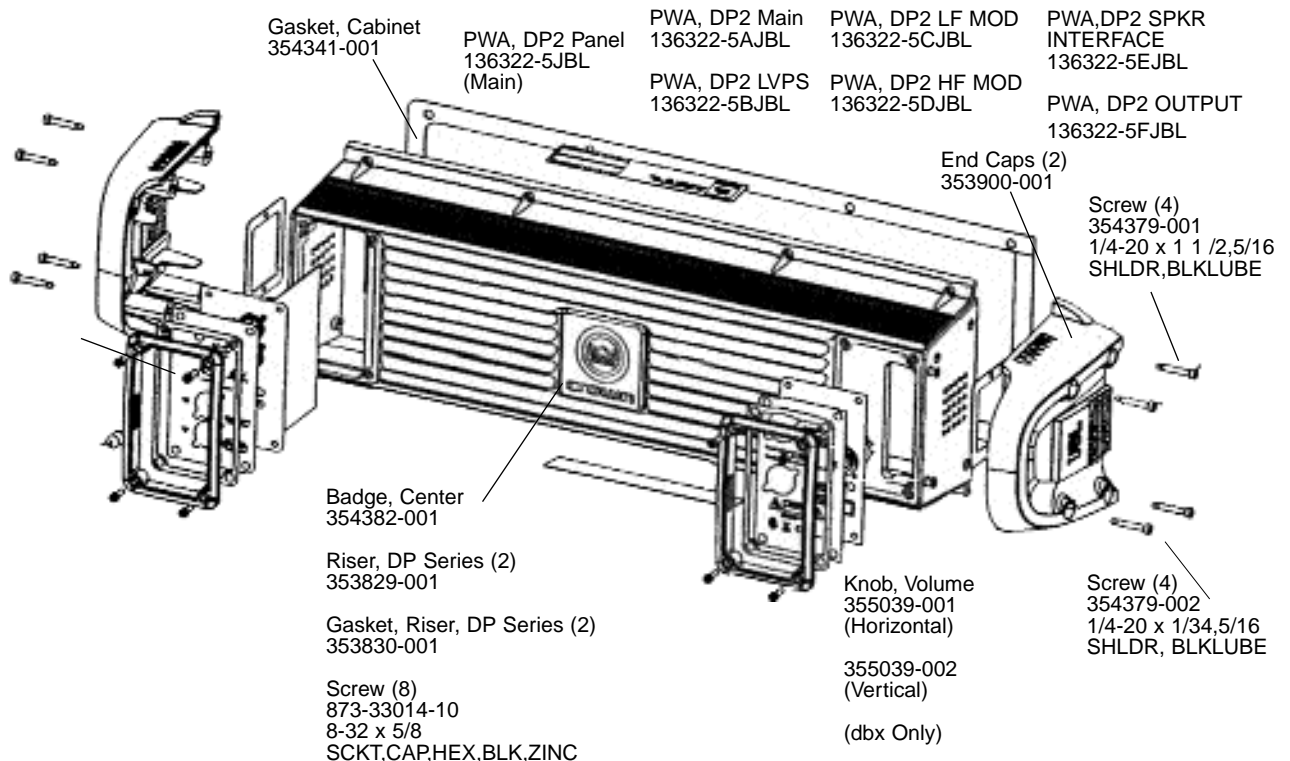
DP2	
Note: Amplifier assembly includes the input module.	
Part No.	Description
362249-001	Amp. Assembly, Base Model, VP/VT-Series
362249-002X	Amplifier Assembly, VP7212/95DPAN
362249-003X	Amplifier Assembly, VP7212/95DPCN
362249-004X	Amplifier Assembly, VP7212/64DPAN
362249-005X	Amplifier Assembly, VP7212/64DPCN
362249-006X	Amplifier Assembly, VP7215/95DPAN
362249-007X	Amplifier Assembly, VP7215/95DPCN
362249-008X	Amplifier Assembly, VP7215/64DPAN
362249-009X	Amplifier Assembly, VP7215/64DPCN
362249-010X	Amplifier Assembly, VP7315/64DPAN
362249-011X	Amplifier Assembly, VP7315/64DPCN
362249-012X	Amplifier Assembly, VT4887ADP
362249-013X	Amplifier Assembly, VT4887ADP-AN
362249-014X	Amplifier Assembly, VT4887ADP-CN
362249-015X	Amplifier Assembly, VP7212/95DP
362249-016X	Amplifier Assembly, VP7212/64DP
362249-017X	Amplifier Assembly, VP7215/95DP
362249-018X	Amplifier Assembly, VP7215/64DP
362249-019X	Amplifier Assembly, VP7315/64DP
362249-020X	Amplifier Assembly, VT4887ADP-DA
362249-021X	Amplifier Assembly, VP7212/95DPDA
362249-022X	Amplifier Assembly, VP7212/64DPDA
362249-023X	Amplifier Assembly, VP7215/95DPDA
362249-024X	Amplifier Assembly, VP7215/65DPDA
362249-025X	Amplifier Assembly, VP7315/64DPDA

### Input Modules

Note: If ordering an input module you must order 1 of the tuning files below depending on the system model number.

DP-dbx Horizontal 364263-001X	DP-AN Horizontal 363372-001X	DP-CN Horizontal 363373--001X	DP-DA Horizontal 444668-001X
Model Numbers		Tuning File Part Numbers	
VP7212/95DP	364092-001	362342-001	362343-001
VP7212/64DP	364093-001	362340-001	362341-001
VP7215/95DP	364094-001	362347-001	362348-001
VP7215/64DP	364095-001	362345-001	362346-001
VP7315/64DP	364096-001	362349-001	362350-001
445131-001	445132-001	445133-001	445134-001
445135-001			
DP-dbx 361541-001X	DP-AN 361092-001X	DP-CN 361093-001X	DP-DA 444241-001X
Model Numbers		Tuning File Part Numbers	
VT4887ADP	363145-001	363455-001	363456-001
		444804-001	

Note: (These (6) individual PWA's are out of the main panel)

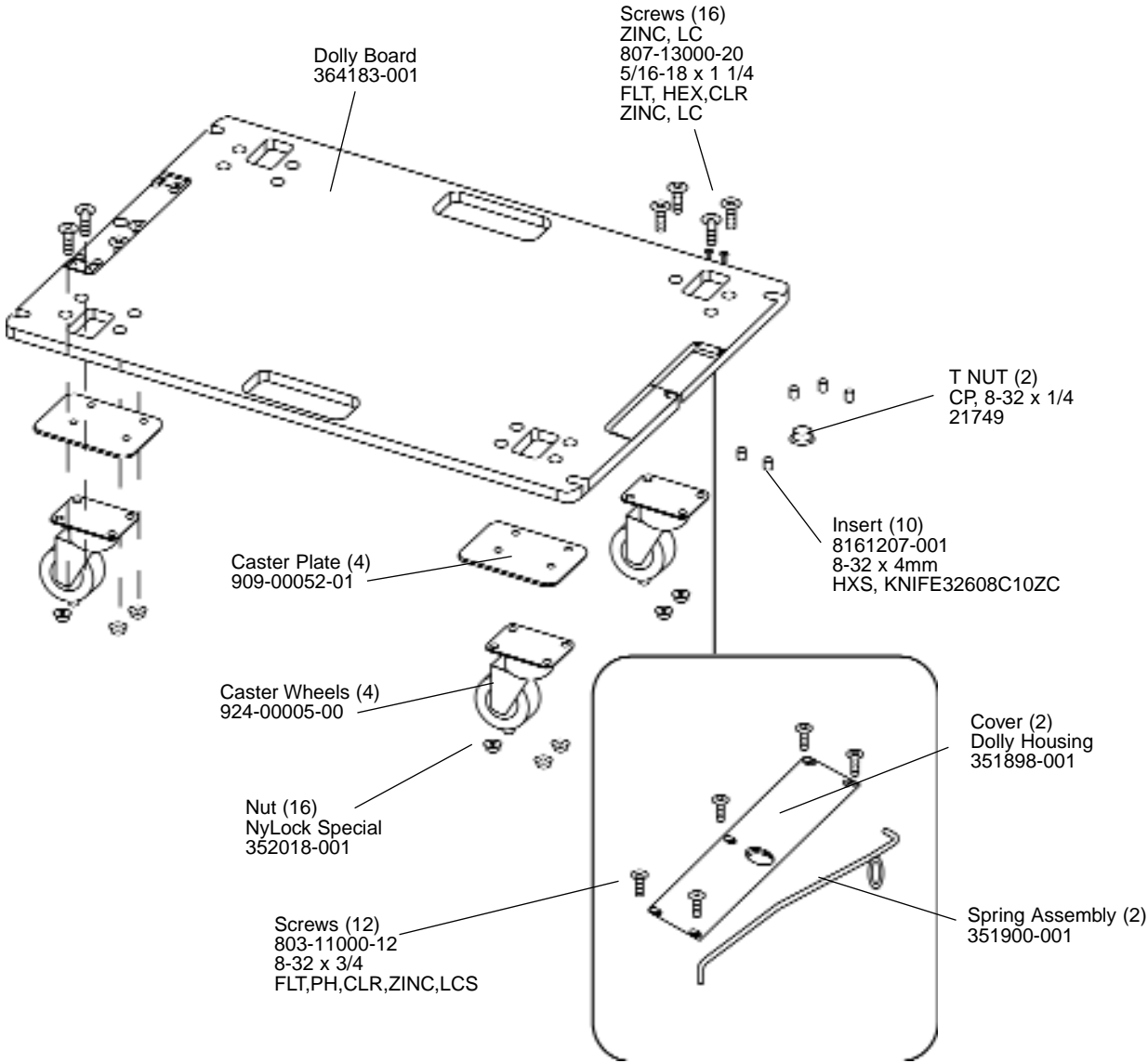


\*Note: end-caps are not required for or included with Venue Performance sales models.

# JBL VT4887ADP-ACC

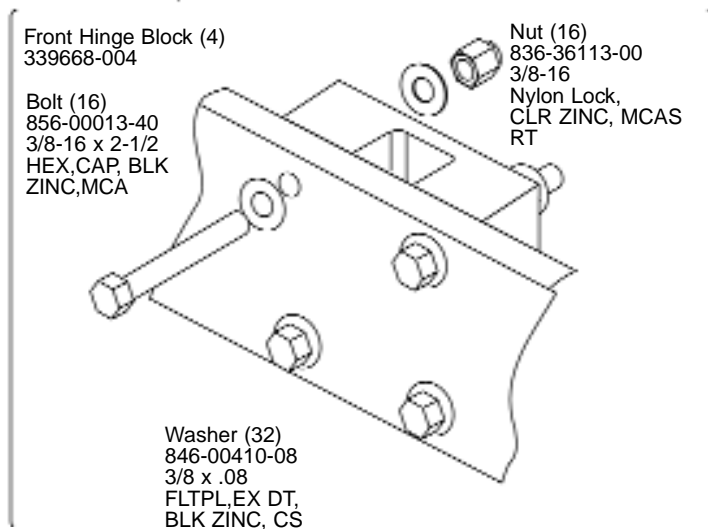
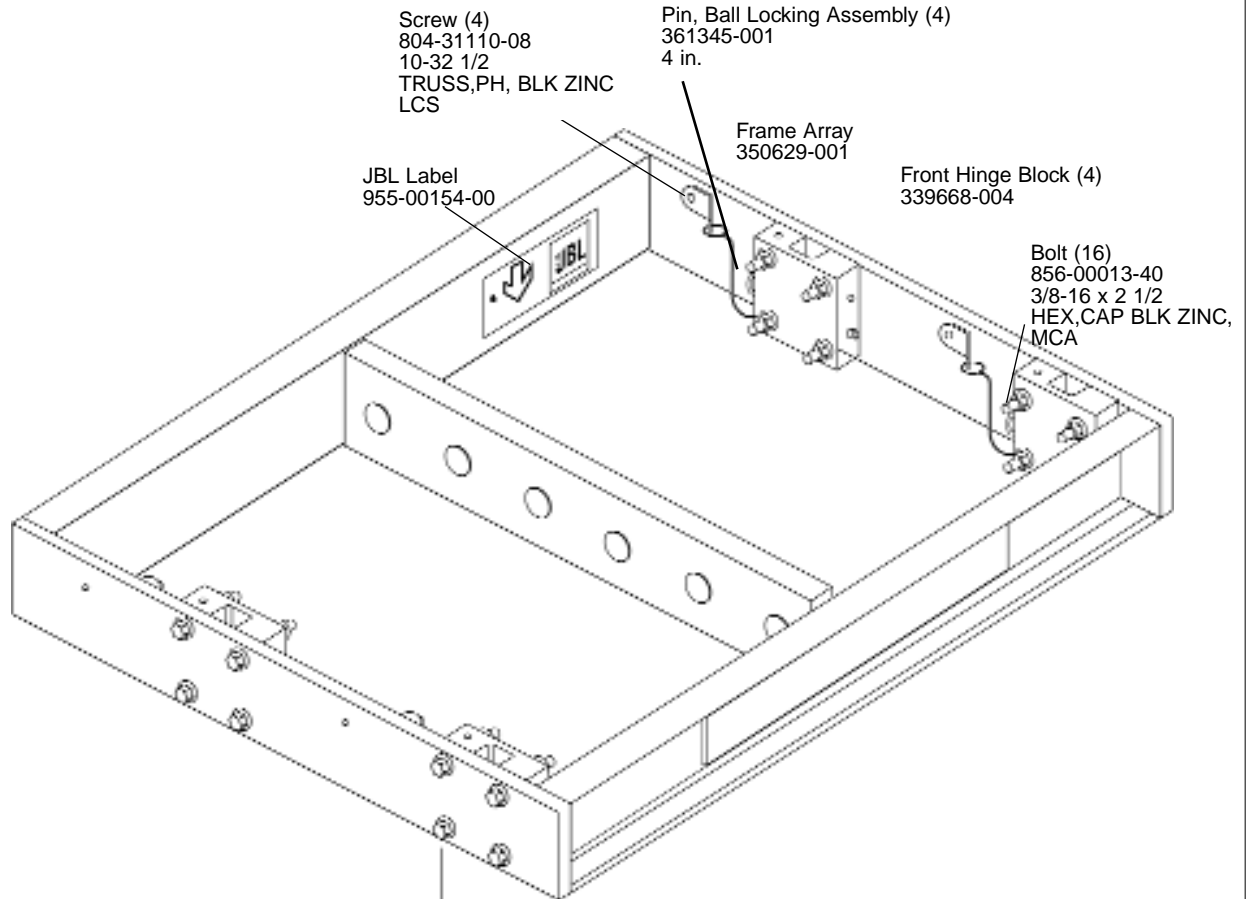
REV A

## DOLLY ASSEMBLY 350401-003



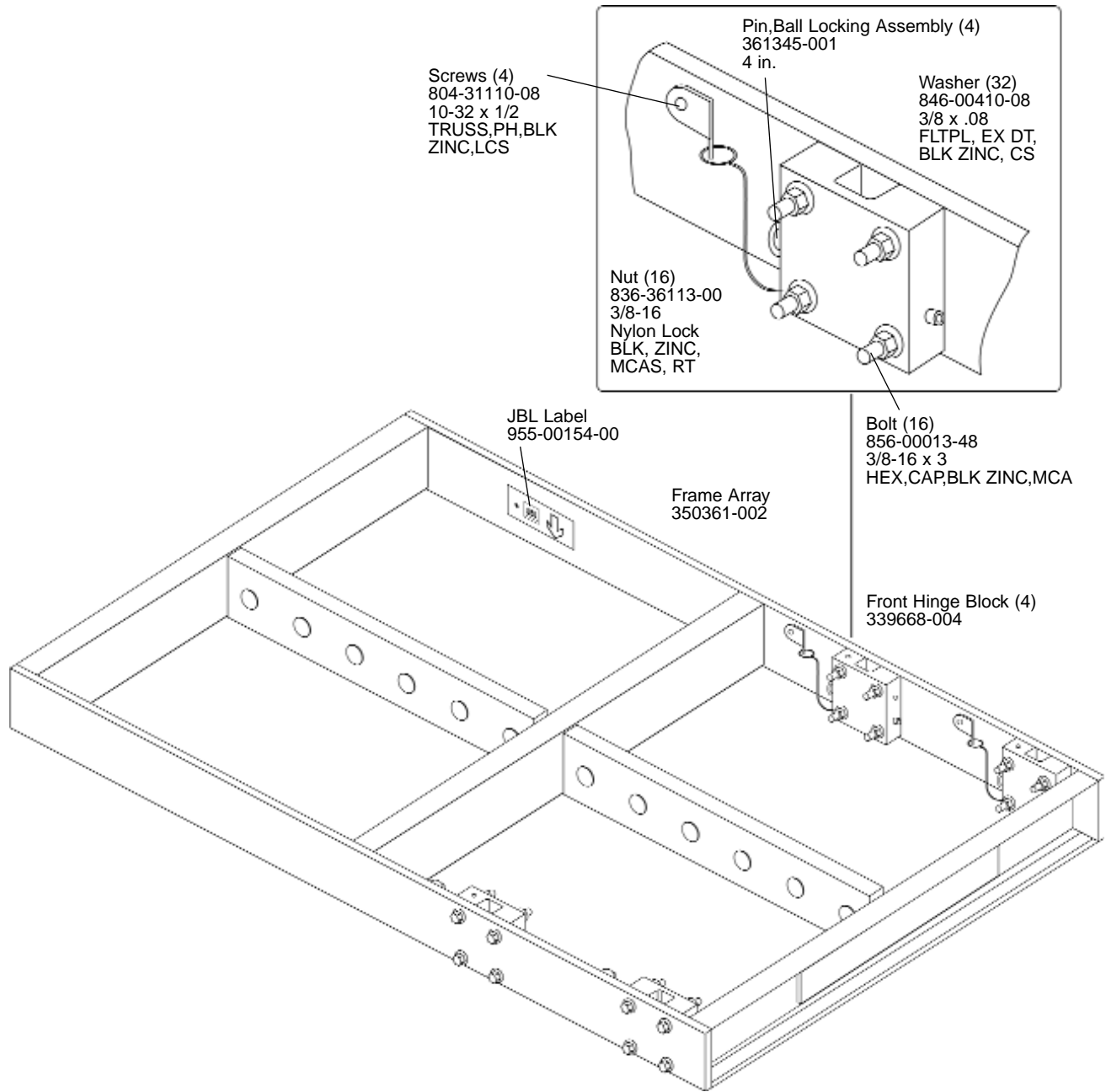
# JBL VT4887-SF

## ARRAY FRAME ASSEMBLY



# JBL VT4887-AF

## ARRAY FRAME ASSEMBLY



JBL VT4887-AF