

# Technical Manual

# JBL VT4886

## SPECIFICATIONS



### ACOUSTIC & ELECTRICAL SPECIFICATIONS:

- Bandpass Nominal Impedance: 12 Ohms (drivers wired in series-parallel, passive network)
- System Input Power Rating: 900W Continuous, 3600W Peak (AES / 2 hour)  
700W Continuous, 2800W Peak (100 hour)
- Frequency Response: 75 Hz- 18 kHz (±3 dB)
- Frequency Range: 65 Hz- 20 kHz (-10 dB)
- Maximum Peak Output: 136 dB SPL, 1 Meter
- Bandpass Sensitivity: 101 dB, 1 Watt @ 1 Meter
- Recommended Amplification: 1400-1800W at 12 Ohms (single encl.)  
2800-3600W at 6 Ohms (two enclosures in parallel)  
4200-5400W at 4 Ohms (three enclosures in parallel)  
5600-7200W at 3 Ohms (four enclosures in parallel)
- Recommended Signal Processing: Crown® I-Tech HD, Crown I-Tech, dbx® DrivePack® 4800, BSS Audio™ FDS-366T Omnidrive™, BSS Audio Soundweb™ London
- Crossover Frequency: 375 Hz and 1.6 kHz

### SYSTEMS COMPONENTS: (CONT'D)

- DC Resistance: 2.2 ohms ± 10%
- High Frequency Transducer: (2) 2414H, 25 mm (1 in) exit compression driver, Neodymium magnet, 38 mm (1 in) voice coil
- DC Resistance: 3.60 ohms ± 0.2 ohm

### AURAL SWEEP TEST SPECIFICATIONS:

- A. System Aural Sweep Test: 15V, 50 Hz to 20 kHz
- B. LF Woofer Sweep Test: 10V, 10 Hz to 300 Hz
- C. MF Woofer Sweep Test: 4V, 100 Hz to 1000 Hz
- D. HF Driver Sweep Test: 0.75V, 500 Hz to 1.5 kHz

### PHYSICAL SPECIFICATIONS:

- Enclosure Dimensions: 197 x 579 x 261 mm D (7.8 x 22.8 x 10.3 in. D)
- Net Weight: 34 lb (15.4 kg)
- Shipping Weight: 38.5 lb (17.5 kg)

### WARRANTY INFORMATION:

- Refer to Warranty Statement packed with each product.

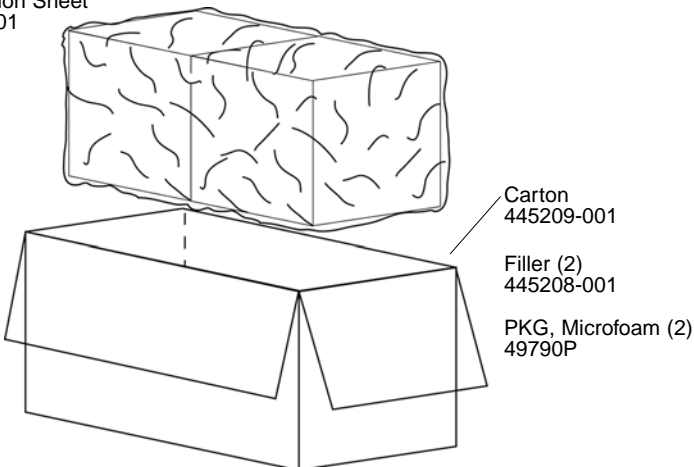
### SYSTEMS COMPONENTS:

- Cabinet: Enclosure Assembly C4886
- Grille: 442452-001
- Low Frequency Transducer: (2) 2166H, 165 mm (6.5 in) dia, 50 mm (2 in) Dual Coil, Dual Magnet Neodymium Differential Drive®, Direct Cooled™
- DC Resistance: 5.0 ohms ± 10%
- Mid Frequency Transducer: (4) 2103G, 101 mm (2.5 in) with 25.4 mm (1 in) dia. voice coil and Neodymium magnet

## PACKAGE

Warranty 59660

Specification Sheet  
443674-001



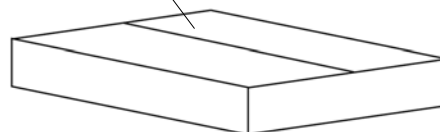
JBL VT4886-AF  
Carton  
445033-001

910-00035-01 (1)  
Ferro fluid vial w/  
blotter paper and  
instruction sheet

Corner Protector, (4)  
445034-001

910-00035-02 (12)  
Ferro fluid vials w/  
blotter paper and  
instruction sheet

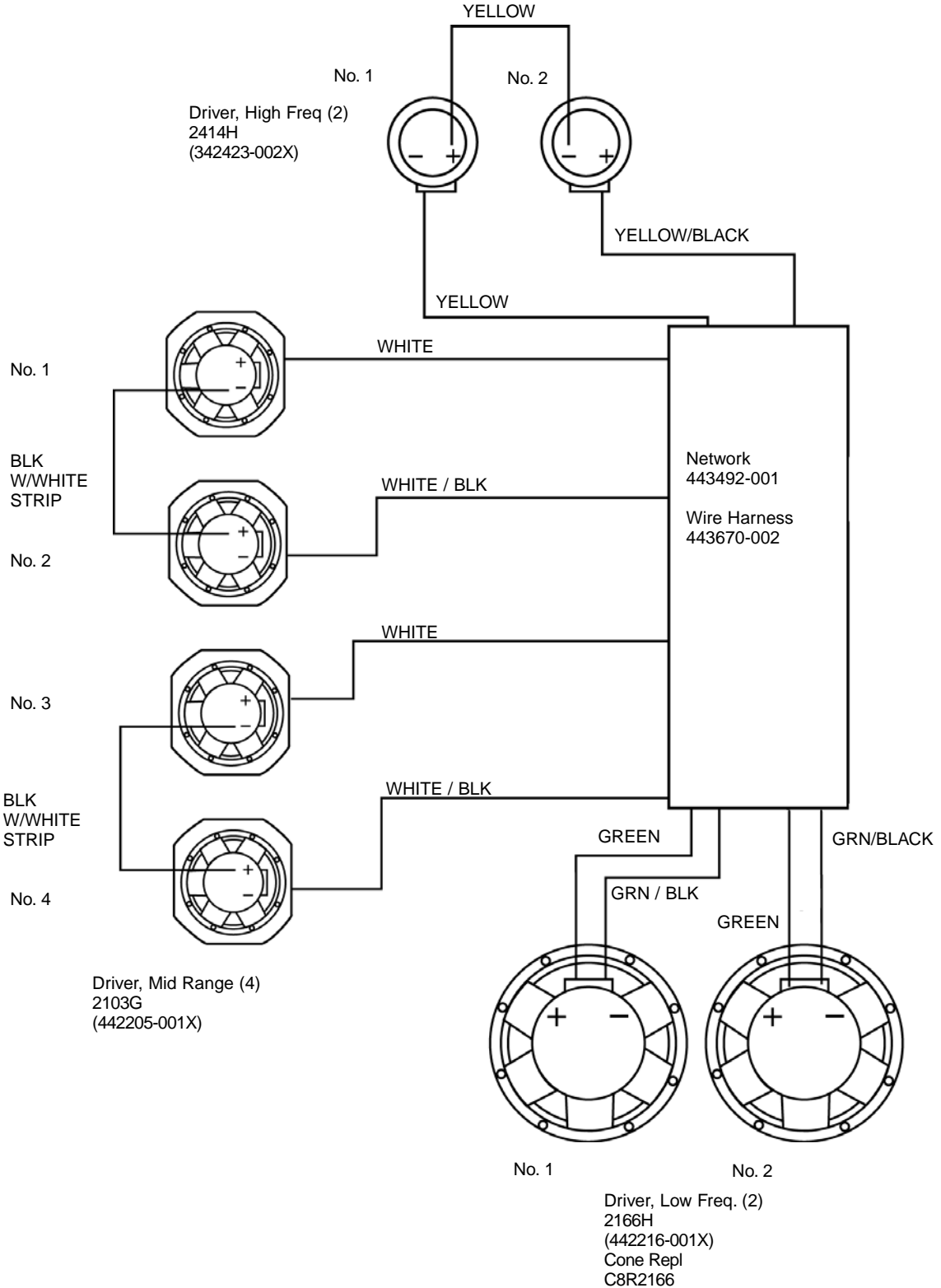
PKG, Microfoam (6)  
49790P  
20" x 18" Sheets



JBL VT4886 REV K

# JBL VT4886

## WIRING DIAGRAM

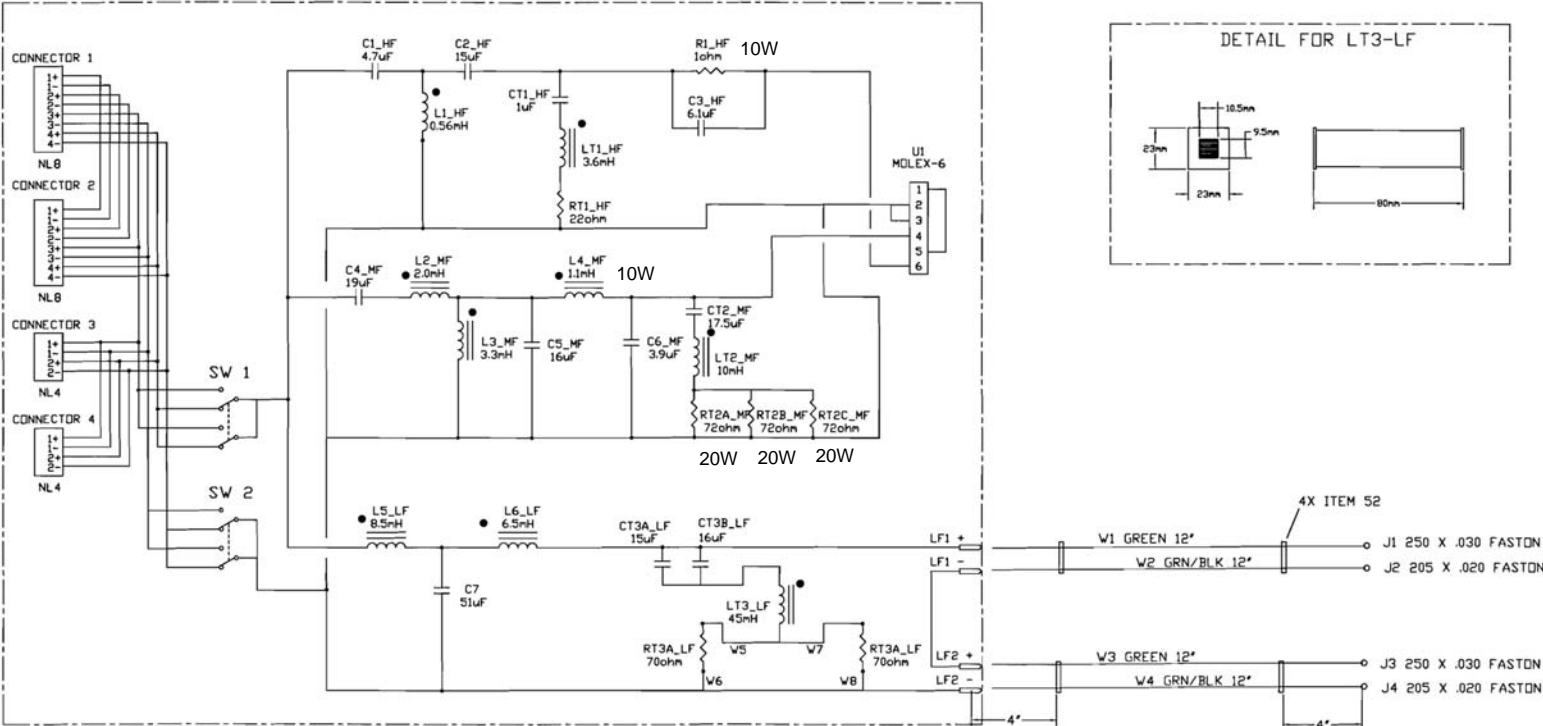


JBL VT4886

# JBL VT4886

## SCHEMATIC (44392-001)

### Network



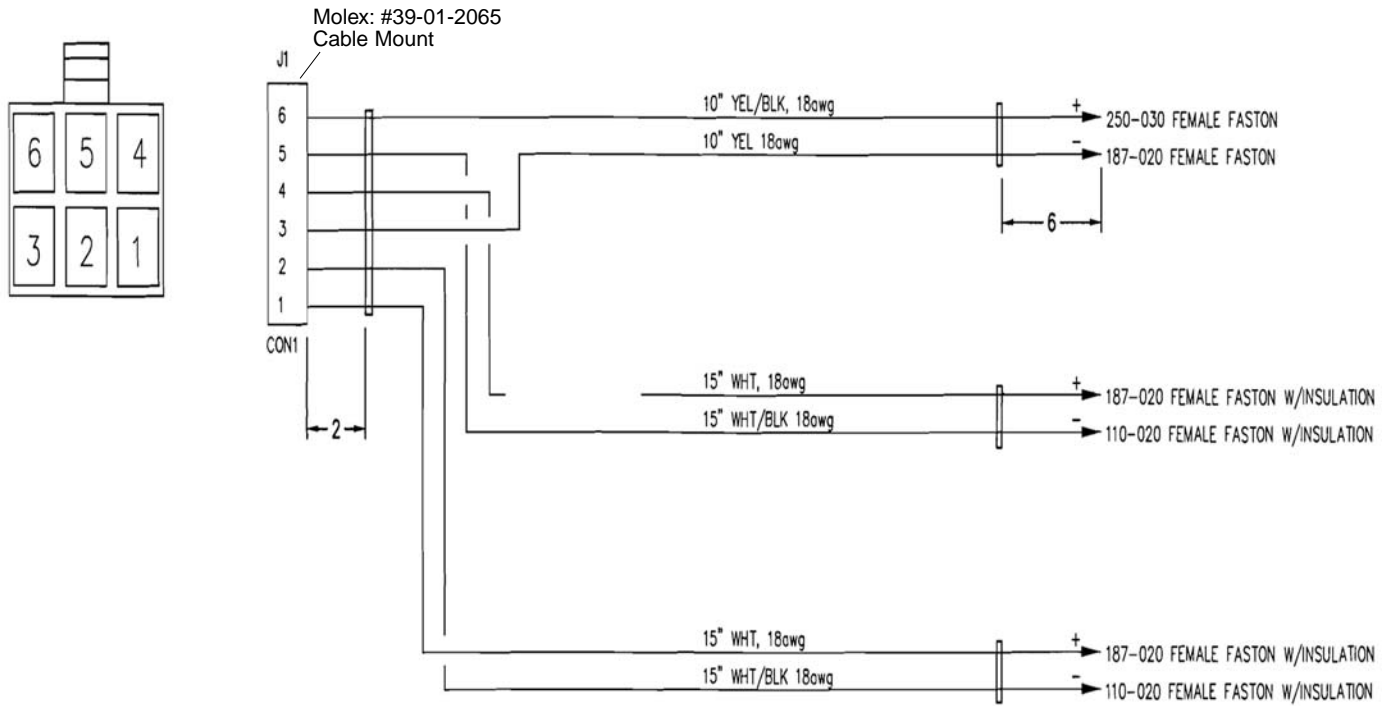
NOTE: INDIVIDUAL PARTS FOR THE ABOVE CROSSOVER ARE NOT AVAILABLE.  
A COMPLETE RERPLACEMENT ASSEMBLY SHOULD BE ORDERED

JBL VT4886

# JBL VT4886

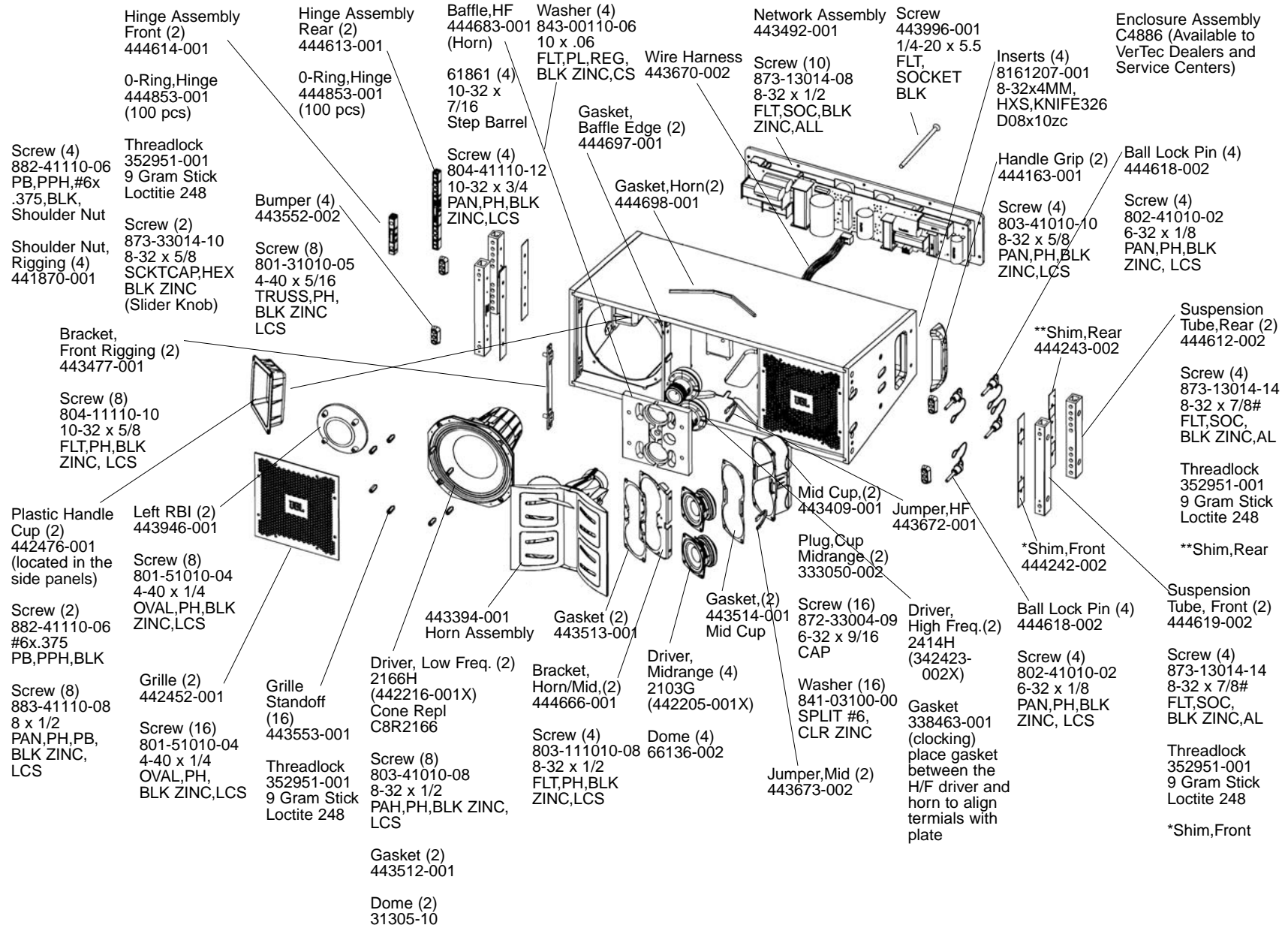
## DIAGRAM (443670-002)

### Wire Harness



# JBL VT4886

## COMPONENT EXPLODED VIEW

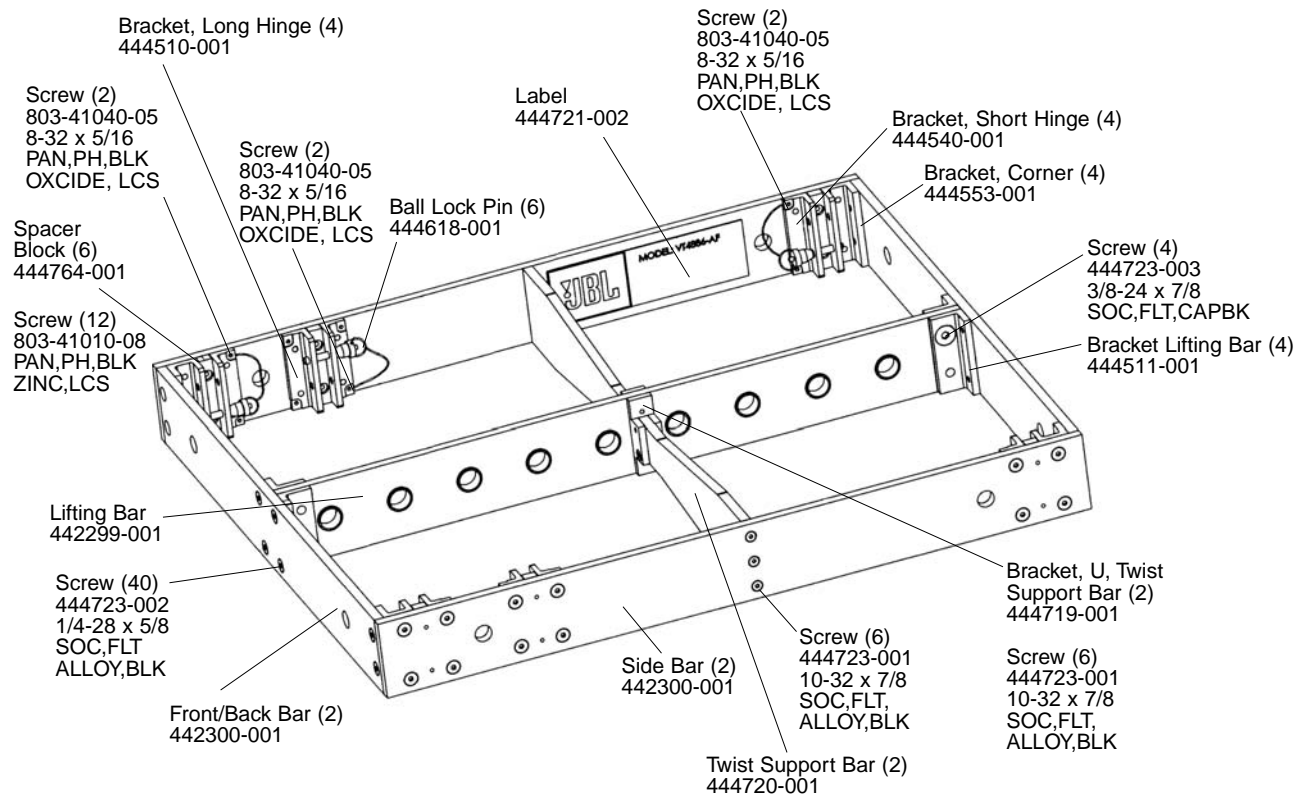


JBL VT4886



# JBL VT4886-AF

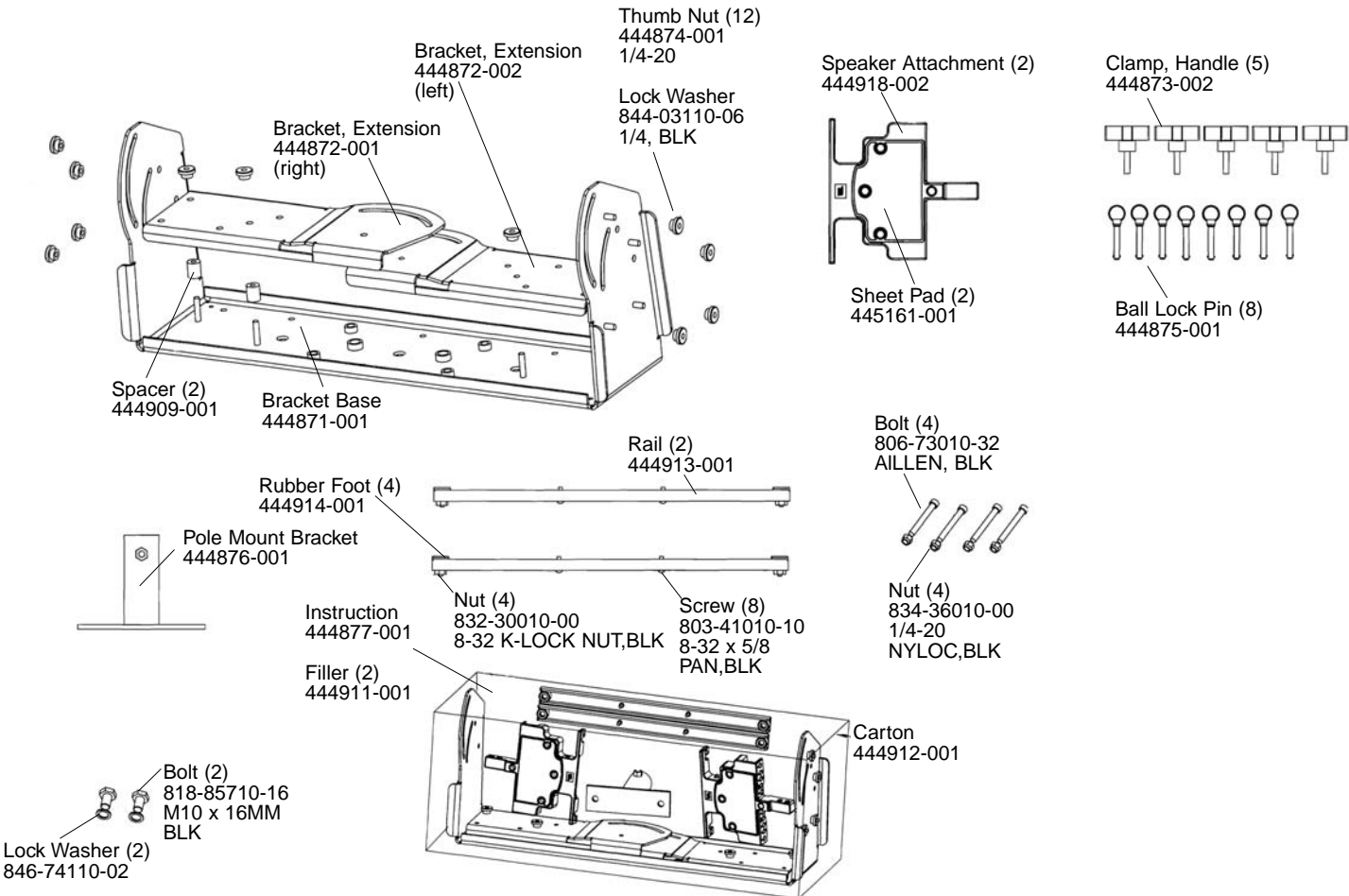
## ARRAY FRAME ASSEMBLY



JBL VT4886-AF

# JBL VT4886-UB

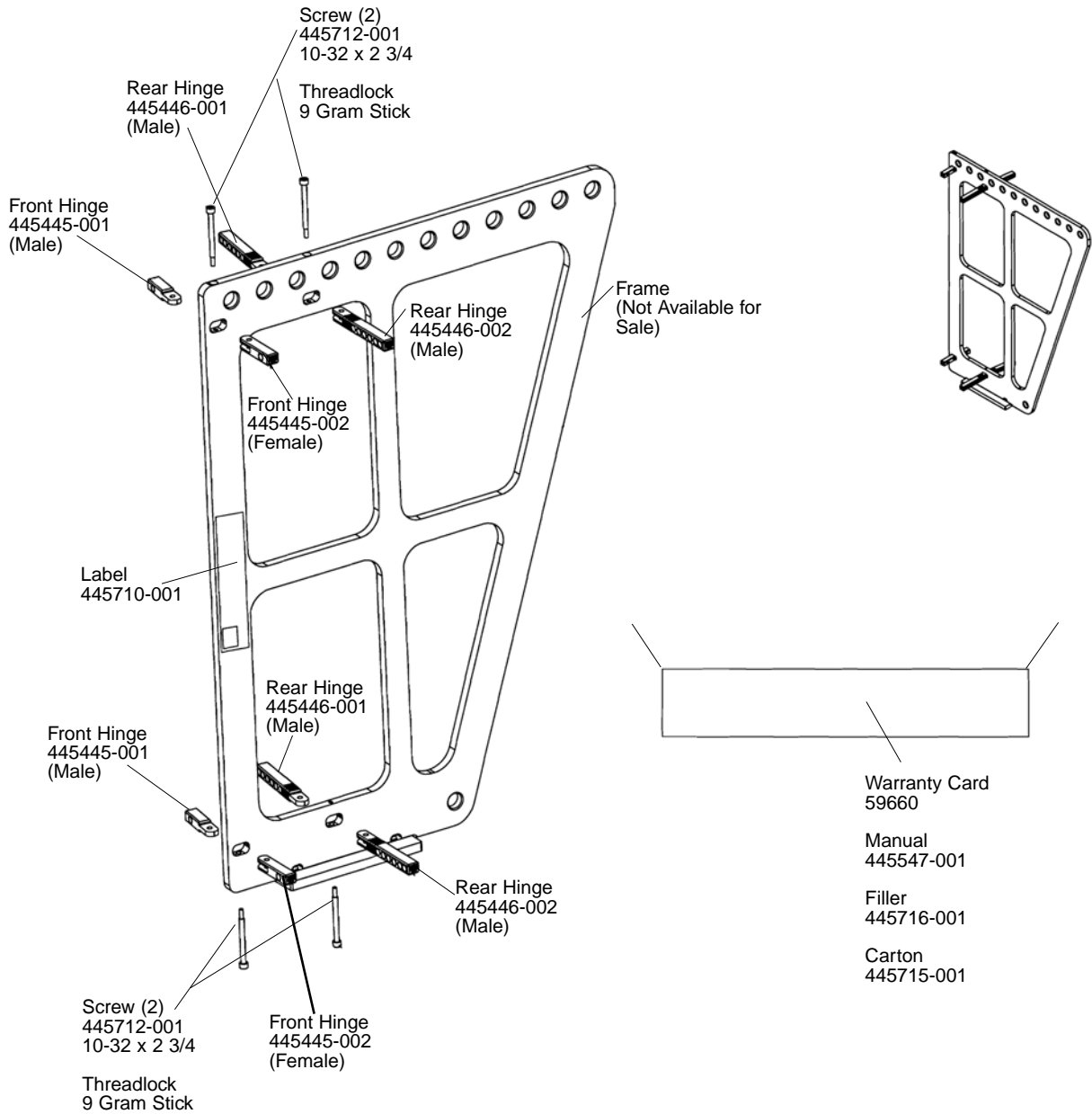
## COMPONENT EXPLODED VIEW



JBL VT4886-UB

# JBL VT4886-HB

## HORIZONTAL BRACKET



JBL VT4886-HB