

Technical Manual

JBL VT4883

SPECIFICATIONS



ACOUSTIC & ELECTRICAL SPECIFICATIONS:

- Nominal Impedance: 2 x 8 Ohms
- System Input Power Rating: 2000W Continuous, 8000W Peak (AES / 2 hour)
1600W Continuous, 6400W Peak (100 hr)
- Frequency Response: 40 Hz- 300 Hz (± 3 dB)
- Frequency Range: 35 Hz- 300 Hz (-10 dB)
- Recommended Bandpass: 35 Hz - 200 Hz
- Maximum Peak Output: 139 dB SPL, 1 Meter (2π , free-space, ground-based application)
133 dB SPL, 1 Meter (4π , free-space, suspended application)
- System Sensitivity: 95 dB, 1 Watt (per driver) @ 1 Meter (averaged 40 -140 Hz)
- Recommended Amplification: (2x) 1600 - 2000W into 8 ohms (transducers powered individually)
3200 - 4000W into 4 ohms (transducers powered in parallel)
- Recommended Signal Processing: Crown® I-Tech HD, Crown I-Tech, dbx® DrivePack® 4800, BSS Audio™ FDS-366T Omnidrive™, BSS Audio Soundweb™ London

SYSTEMS COMPONENTS:

- Cabinet: Enclosure Assembly C4883
- Grille: 442451-001
- Low Frequency Transducer: (2) 2263H-1, 305 mm (12 in) dia, 75 mm (3 in) Dual Coil, Dual Magnet, neodymium Differential Drive®, Driect Cooled™
- Input Power Rating: 1000W Continuous, 4000W Peak

SYSTEMS COMPONENTS (CONT'D):

- (each transducer): 800W Continuous, 3200W Peak (100 hour)
(AES / 2 hour)
- DC Resistance: 5.2 Ohms \pm 10%

AURAL SWEEP TEST SPECIFICATIONS:

- A. System Aural Sweep Test: 7V, 10 Hz to 2 kHz
- B. LF Woofer Sweep Test: 10 Vrms, 20 Hz to 2 kHz

PHYSICAL SPECIFICATIONS:

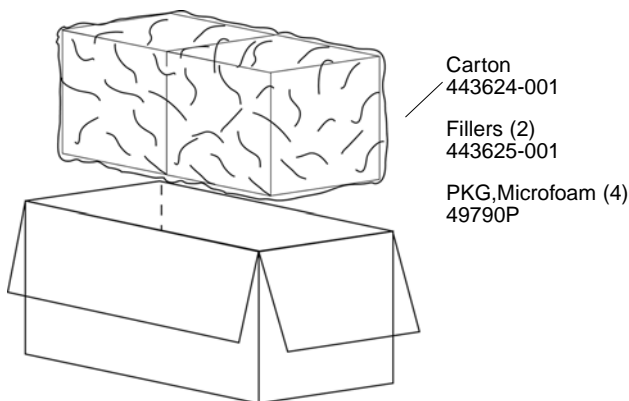
- Enclosure Dimensions: 398 x 579 x 643 mm D (15.7 x 22.8 x 25.3 in. D)
- Net Shipping Weight: 65 lb (29.5 kg)
- Shipping Weight: 78 lb (35.4 kg)

WARRANTY INFORMATION:

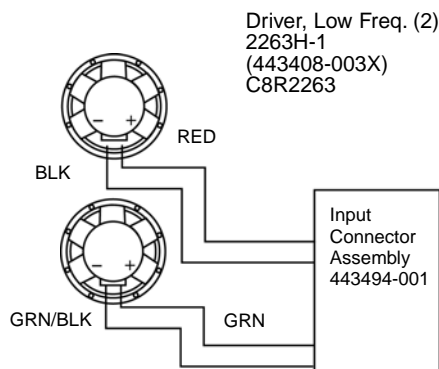
- Refer to Warranty Statement packed with each product.

PACKAGE

Warranty 59660
Specification Sheet
443669-001

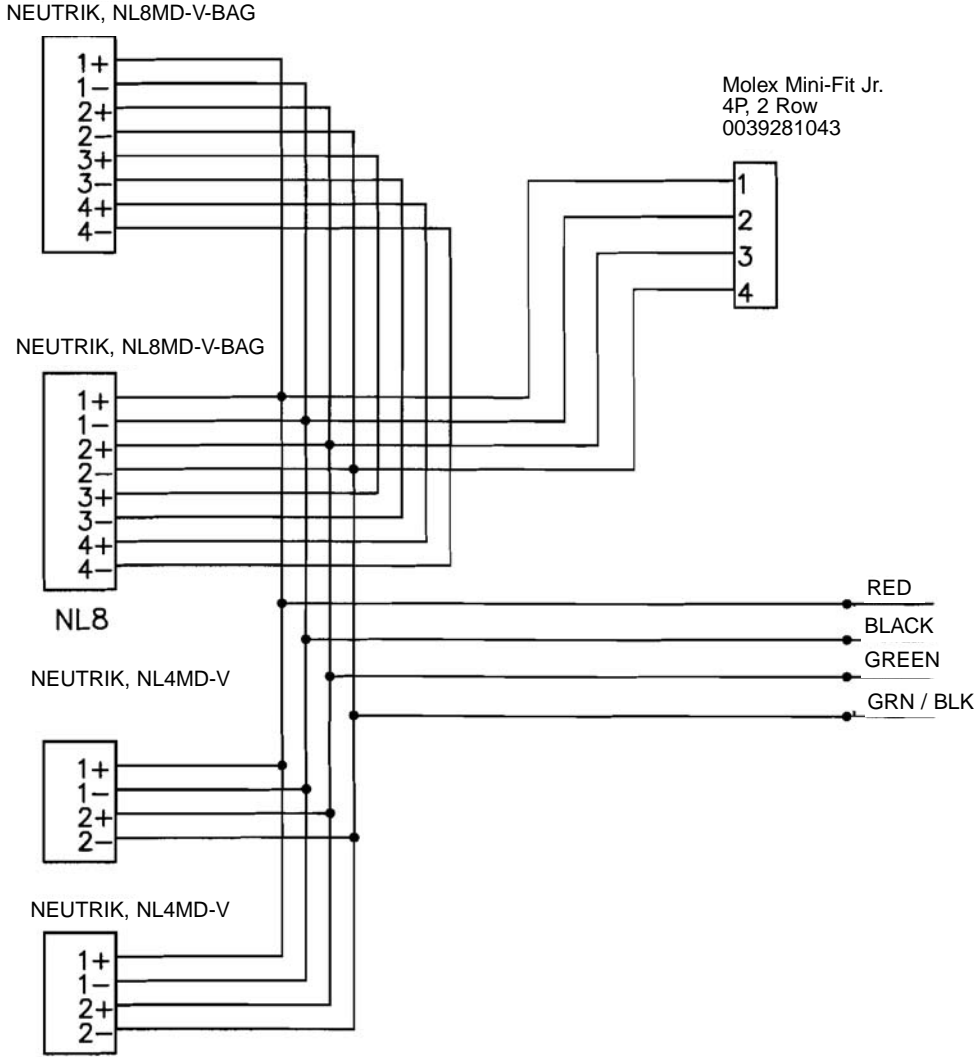


WIRING DIAGRAM



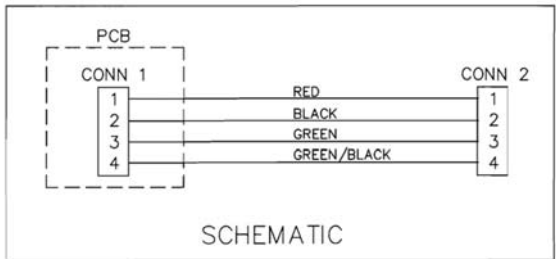
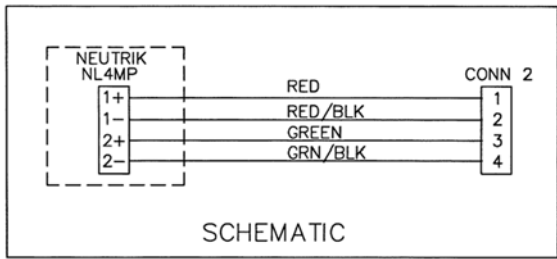
JBL VT4883

DIAGRAM (443494-001)



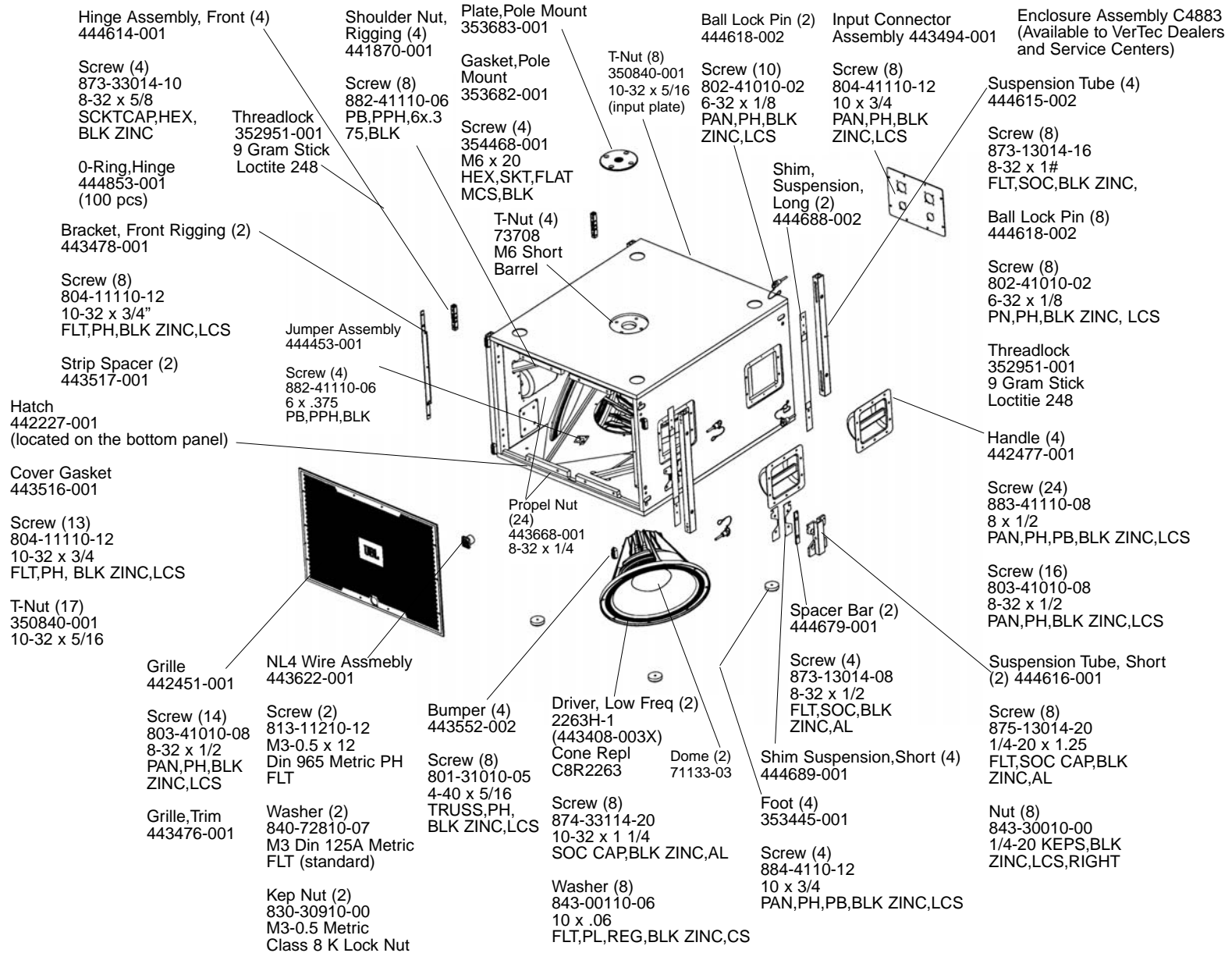
Grille NL4 Wire Harness Assembly - 443622-001

Grille Connector Jumper Assembly - 444453-001



JBL VT4883

COMPONENT EXPLODED VIEW



JBL VT4883