

Technical Manual



JBL VT4882DP-AN/CN

SPECIFICATIONS

ACOUSTIC & ELECTRICAL SPECIFICATIONS:

- Nominal Impedance: 8 ohms, each transducer
- DP3 Internal Amplification Output (at normal load): 3400W Peak, 1700W Continuous
- DP3 LF Output 2-Channel Class-I Output at nominal Section: load: 118V peak
- Frequency Response: 32 Hz – 110 Hz (± 3 dB)
- Frequency Range: 28 Hz – 120 kHz (-10 dB)
- Max. Peak Output: 133 dB SPL, 1m
- Signal Processing: DSP based, resident in Input Module
- AC Power Operating Range: Auto Select 90-132VAC/216-264VAC, 50/60 Hz
- AC Line Voltage: 50/60 Hz, Auto-Detect: 120V / 240V (-15%, +10%)
- AC Input Connector: Neutrik PowerCon
- AC Power Loop: Neutrik PowerCon
- AC Current Requirement: 6A per system at 120V, 3A per System at 240V

SYSTEM COMPONENTS:

- Cabinet: Enclosure Assembly C4882
- Grille: 353238-001
- Low Frequency Transducer: (2) x 2266H (15 in) dia., 381 mm (3 in) Dual Coil, Differential Drive, Direct Cooled

- DC Resistance: 4.8 ohms x 2

AURAL SWEEP TEST SPECIFICATIONS:

- A. System Aural Sweep Test: 70.mV Input, 20 Hz to 200 Hz
- B. L.F. Aural Sweep Test: 10.0V Input, 10 Hz to 300 Hz

PHYSICAL SPECIFICATIONS:

- Enclosure Dimensions: 1013 mm x 457 mm x 1011 mm D (39.9 in. x 18 in. x 39.8 in. D)
- Net Weight: 154 lbs. (69.9 kg.)

WARRANTY INFORMATION:

- Refer to Warranty Statement packed with each product.

PACKAGE

Warranty 59660

Operators Guide dbx Module 360850-002

Filler (2) 354740-001

Microfoam Pkg (8) 49790P Sheets

Protective Jackets (2) Drive Pack 360849-001

Power Cord Assembly 355040-002 Pack, Edison / Shurcko

CD, Network DrivePack 361908-003

Carton 354739-001

VT4882DP-ACC

Dolly Assembly 353245-001

Soft Cover 360778-001

Tube (2) 360883-001

Insert (2) 360823-001

Carton 360824-001

JBL VT4888-AF Carton 350484-001

JBL VT4888-SF Carton 350706-001

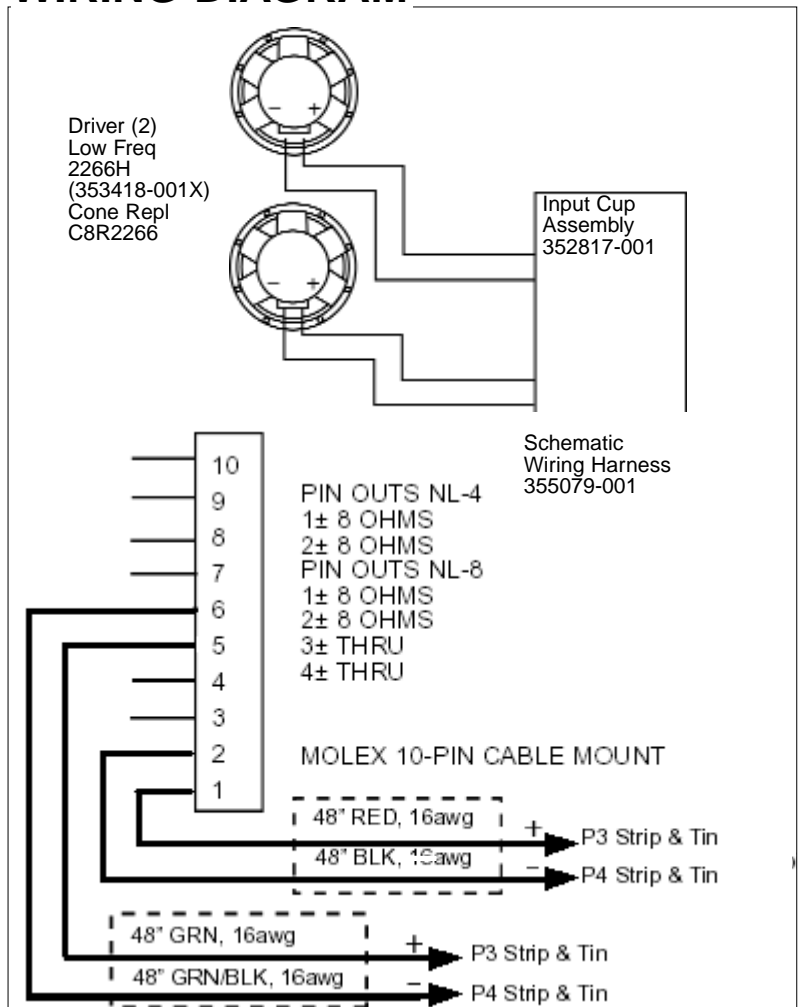
Filler (2) 350486-001

Filler (2) 350713-001

Owner's Manual 350485-001

Owner's Manual 350485-001

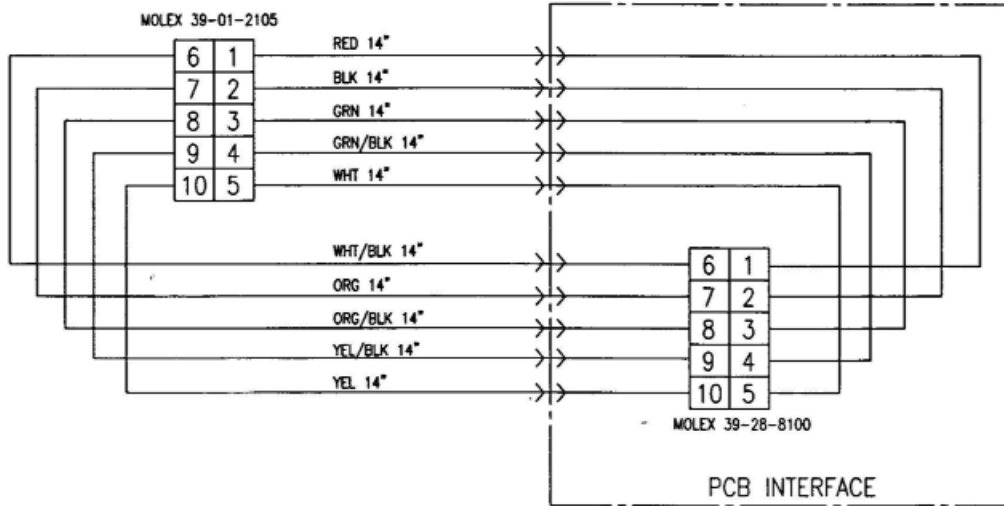
WIRING DIAGRAM



JBL VT4882DP-AN/CN REV L

JBL VT4882DP-AN/CN

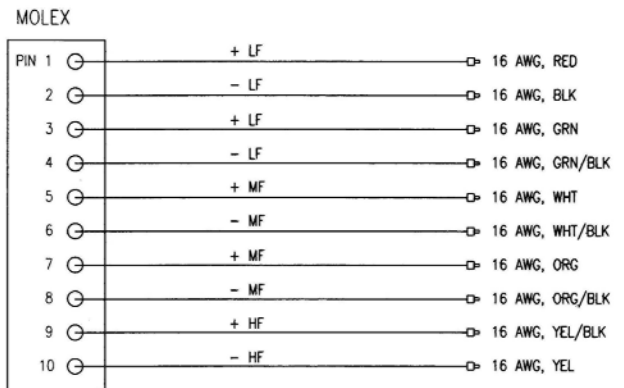
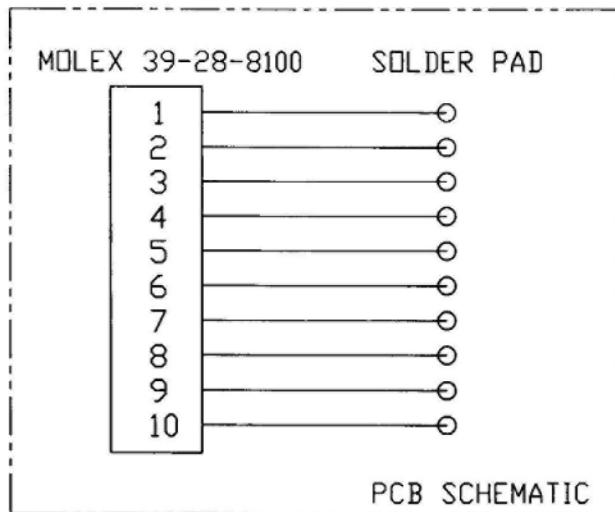
SCHEMATIC DIAGRAMS



6	————	SCREW MOUNT CABLE TIE
5	————	#6 X 3/8", TAP SCREW, PAN ,PH, BLK
4	352818-001	GASKET
3	352087-001	WIRE HARNESS (Ribbon Cable)
2	352270-001	PCB ASSY
1	352271-001	INPUT CUP

352270-001 Connector Assembly Diagram

352087-001 Wire Harness Diagram



JBL VT4882DP-AN/CN

JBL VT4882DP-AN/CN

COMPONENT EXPLODED VIEW

Input Cup Assembly
352817-001

Wire Harness
355079-001

Screw (8)
804-31110-20
10-32 x 1 1/4
TRUSS,PH,BLK,
ZINC,LCS

Connector Assembly
352270-001

Input Cup
352271-001

Wire Harness
352087-001
(Ribbon Cable)

Gasket
352818-001

Amplifier Assembly
354344-003X (DP)
354344-004X (AN)
354344-005X (CN)

Handle (4)
923-00022-07

Gasket, Handle (4)
382-00337-00

Screw (16)
804-41110-16
10-32 x 3/4
PAN,PB,PH,
BLK,ZINC,LCS

Screw (24)
884-41110-12
10 x 3/4
PAN,PH,PB,ZINC,
LCS

Driver, Low Freq (2)
2266H
(353418-001X)
Cone Repl
C8R2266

Gasket, Rear (2)
360-70002-01
15"

Screw (16)
804-72110-24
10-32 x 1 1/2
SKT,TORX,BLK,
ZINC,LCS

Dust Dome (2)
71646-04

Grille Trim
353239-001

Rear Rigging Tube (2)
353244-002

Rear Hinge Assembly, (2)
364137-001

Screw (4)
338885-001
1/4" x 1"
FLTHD,SKT,
GRD8, PATCH

Feet (8)
338948-001

Screw (8)
806-42010-32
1/4-20 x 2
PAN, TORX,BLK
ZINC,LCS

Rear End Pad (2)
353241-001

Screw (4)
806-42010-32
1/4-20 x 2
PAN,TORX,BLK
ZINC,LCS

Washer (4)
337183-001
.25 x .5 Flat,
ZINC

Hinge Lock Bar (2)
353360-001

Screw (16)
864-11000-12
10-32 x 3/4
FLT,PH,CLR,ZINC,
LCS

Washer (4)
339235-001
Flat

Wave Washer (4)
339236-001

Hinge Cushion
(2)
339201-001

Lock Bar Cushion (2)
354332-001

Front End Pad (2)
353240-001

Screw (4)
806-42010-32
1/4-20 X 2
PAN,TORX,
BLK, ZINC,
LCS

Washer (4)
337183-001
.25 x.5
Flat,ZINC

Screw (8)
881-41100-10
4 x 5/8
PAN,PH,PB,CLR,
ZINC,LCS

Front Hinge Assembly, (2)
364136-001

Slider Knob (2)
350839-001
10-32 x 5/8
PATCH

R.A.P.
354965-001

R.A.P.
354965-001

Dolly Retainer
Pin (2)
351696-001

Quick Release Pin (8)
361343-001
1.75" Long

Screw (8)
804-41110-12
10-32 x 3/4
PAN,PH,BLK,ZINC,
LCS

Washer,(2)
354305-001

Front Rigging
Tube, (2)
353243-002

Screw (4)
338885-001
1/4 x 1"
FLT,HD,SOCKET
GRD8, PATCH

Rigging Pad (8)
351001-001

Rigging Bracket (16)
351922-001

Screw (16)
802-11010-16
6-32 x 1
FLT,PH,BLK,ZINC,
LCS

Dolly Locking Pin (2)
351798-002

Nut (2)
836-36110-00
3/8-24
Nylon,BLK, ZINC,
LCS, RIGHT

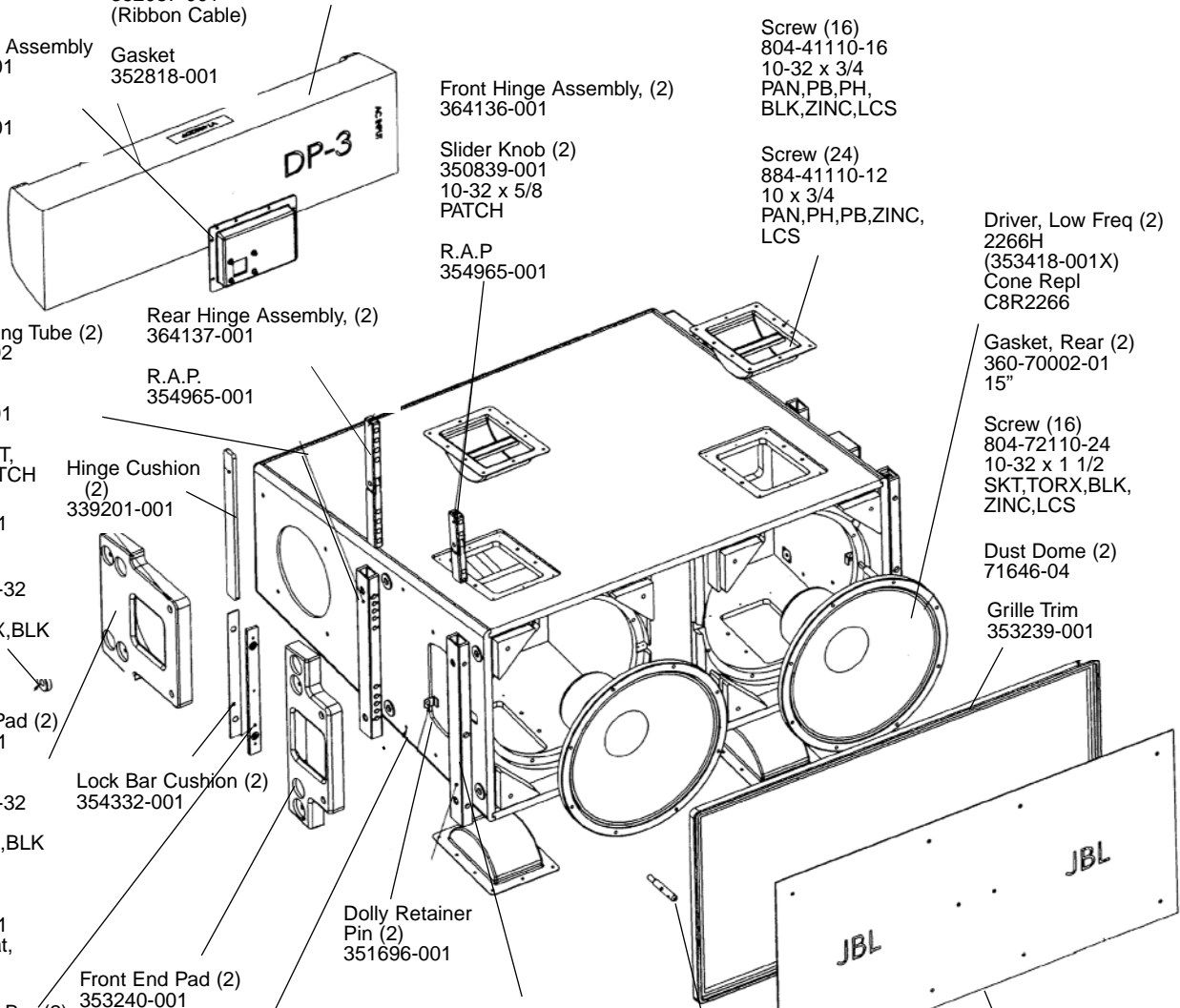
Grille
353238-001

Screw (10)
804-42110-12
1-32 x 3/4
PAN,TORX,BLK,ZINC,LCS

Grille Bracket (2)
354060-001

Grille Bracket Gasket (2)
354061-001

Screw (4)
881-11110-08
4 x 1/2
FLT,PH,PB,BLK, ZINC,LCS



DP3 AMPLIFIER ASSEMBLY REFERENCE

AMPLIFIER ASSEMBLY 354344-001

Amplifier Assemblies

DP3

Note: Amplifier assembly includes the input module.

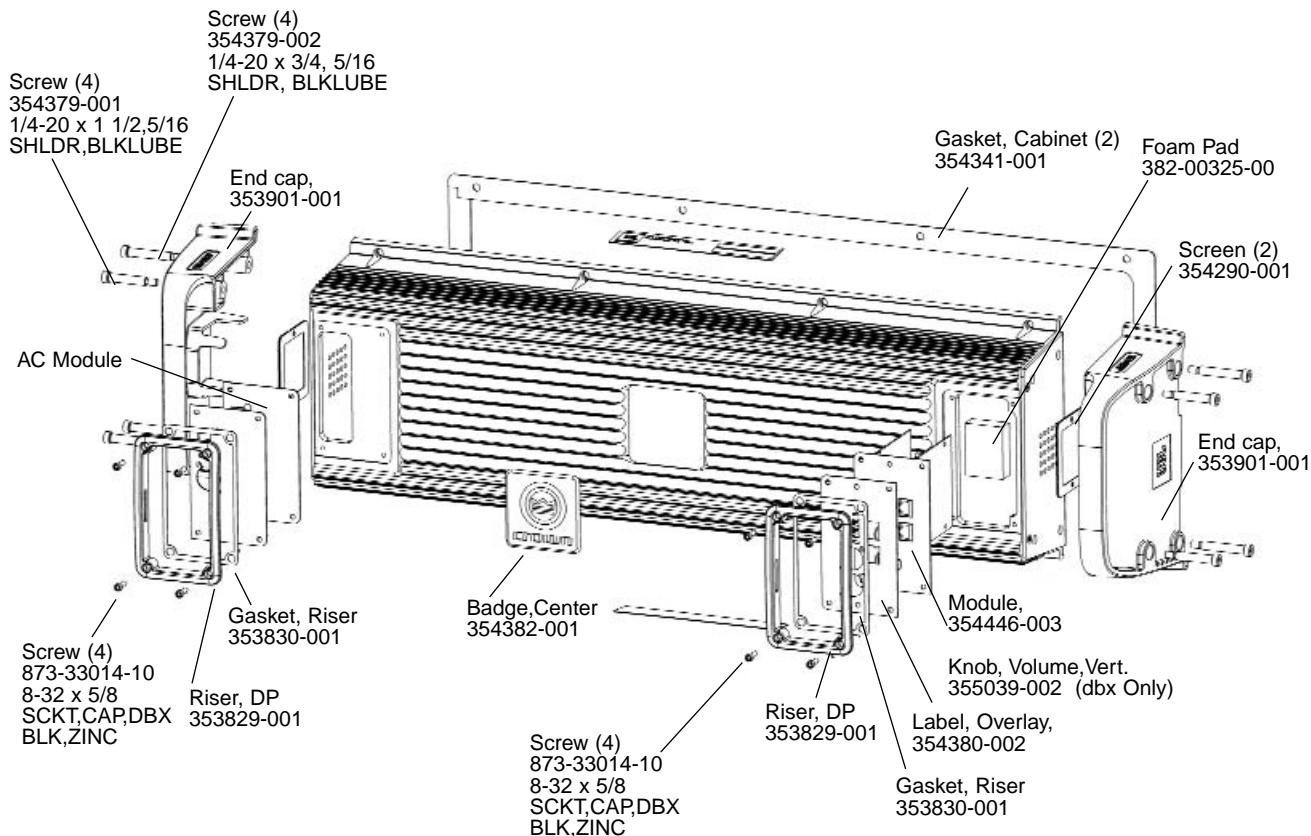
Part No.	Description
354344-001	Amplifier Assembly, Base Model, VT-Series
354344-002X	Amplifier Assembly, VT4888DP
354344-003X	Amplifier Assembly, VT4882DP
354344-004X	Amplifier Assembly, VT4882DP-AN
354344-005X	Amplifier Assembly, VT4882DP-CN
354344-007X	Amplifier Assembly, VT4888DP-AN
354344-008X	Amplifier Assembly, VT4888DP-CN
354344-010X	Amplifier Assembly, VT4880ADP
354344-011X	Amplifier Assembly, VT880ADP-AN
354344-012X	Amplifier Assembly, VT4880ADP-CN
354344-014X	Amplifier Assembly, VT4889ADP
354344-015X	Amplifier Assembly, VT4889ADP-AN
354344-016X	Amplifier Assembly, VT4889ADP-CN

Input Modules

Note: If ordering an input module you must order 1 of the tuning files below depending on the system model number.

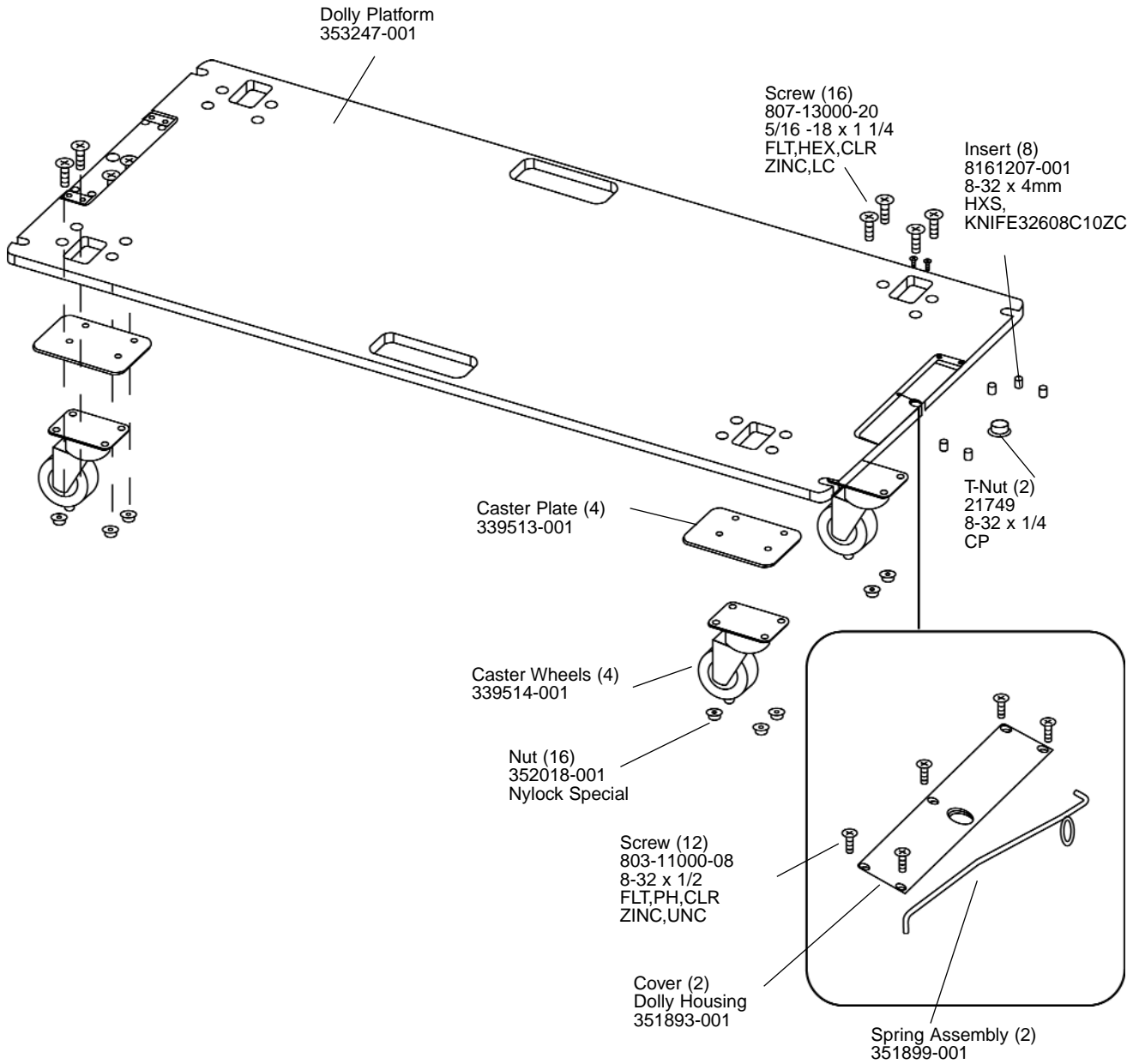
Model Numbers	DP-dbx	DP-AN	DP-CN
	361541-001X	361092-001X	361093--001X
	Tuning File Part Numbers		
VT4888DP	355059-001	361885-001	361886-001
VT4882DP	361282-001	361887-001	361888-001
VT4889ADP	365137-001	365113-001	365136-001
VT4880ADP	365139-001	365114-001	365138-001

DP3 AMPLIFIER ASSEMBLY REFERENCE



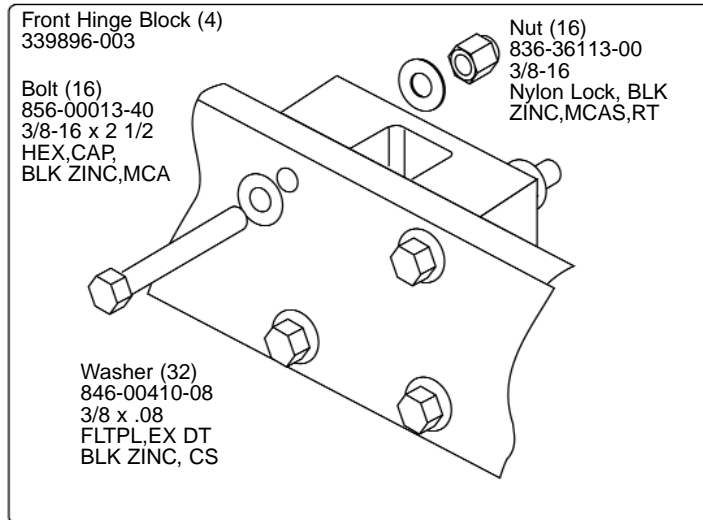
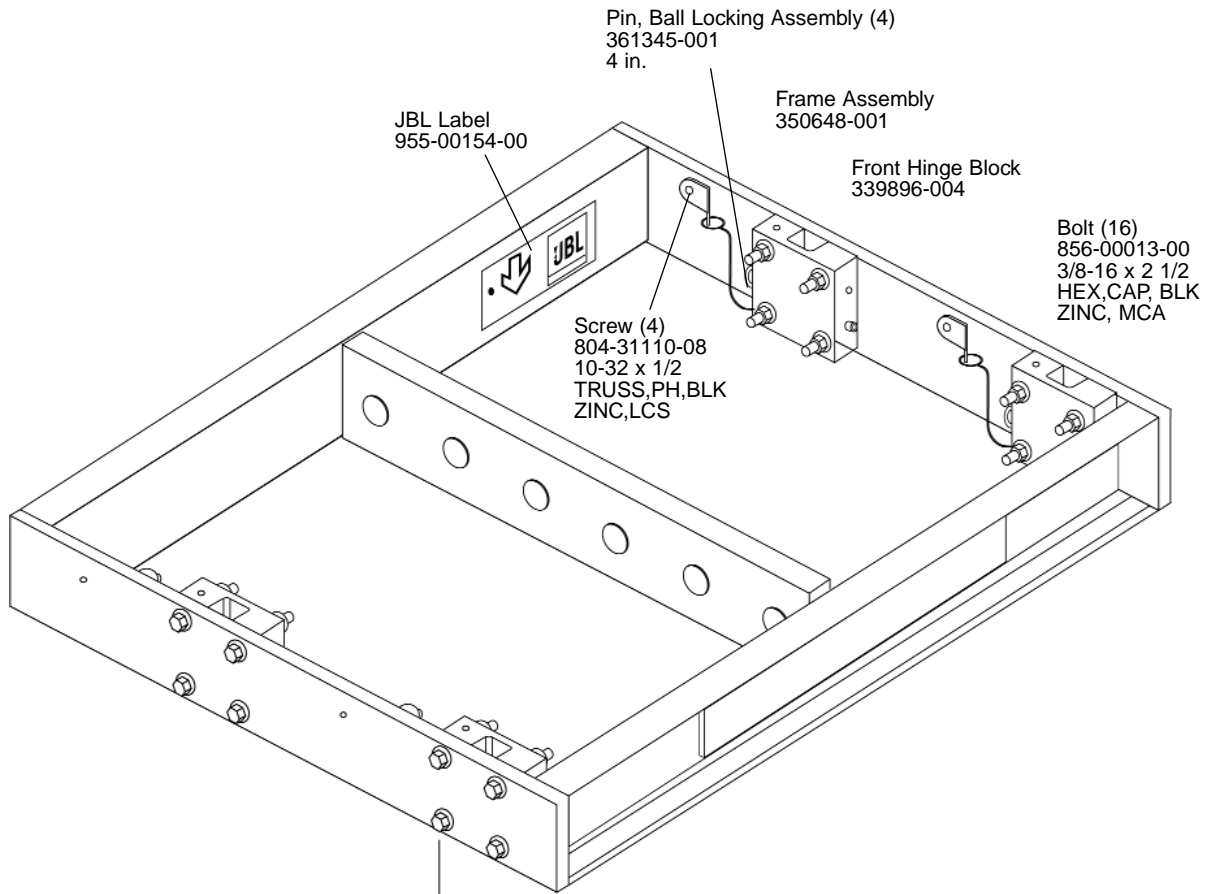
JBL VT4882DP-ACC

DOLLY ASSEMBLY 353245-001



JBL VT4888-SF

ARRAY FRAME ASSEMBLY



JBL VT4888-SF

JBL VT4888-AF

ARRAY FRAME ASSEMBLY

