

# JBL VT4800-CA

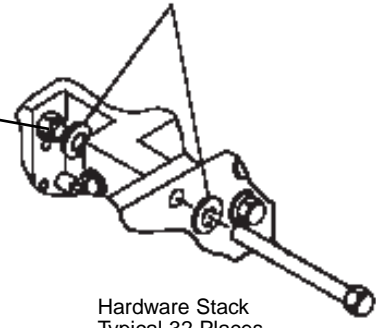
## COMPACT ADAPTER FRAME

Pin, Ball Locking Assembly (8)  
361553-001  
3 in.

Screw, (4)  
804-31100-08  
10-32 x 1/2,  
TRUSS,  
PH, CLR ZINC, LCS

Nut, (32)  
836-36113-00  
3/18-16  
NYLON LOCK, BLK,  
ZINC, MCAS, RT

Washer, (64)  
846-00410-08  
3/8 x .08  
FLTPL, EX, DT,  
BLK, ZINC, CS



Corner Block - Front  
Vertec Adapter (4)  
339754-002

Model Tag,  
351546-001

Front Rail,  
Vertec Adapter Small (2)  
339752-001

Rail, Side, Vertec  
Adapter-Small (2)  
339755-001

Packaging:  
Carton,  
350710-001

Filler (2)  
350711-001

Owners Manual,  
VT4888/87/81 Rigging  
350485-001

Hinge Assembly (2)  
352206-001

Hinge, Front (2)  
352201-003

49790P (2)  
Microfoam Sheets

Bolt (16)  
856-00013-68  
3/8-16 x 4 1/4  
HEX, BLK, ZINC  
MCAS

Bolt (16)  
856-00013-52  
3/8 -16 x 3 1/4  
HEX, BLK, ZINC  
MCAS

**VT4800-CA:** Compact Adapter Frame for combining different VerTec system models into multi-box arrays. Suspends VT4887 and/or VT4881 from VT4888. Includes hinge bar set for VT4887/VT4881. Aluminum, black. (32.5 kg/72 lb)