

Technical Manual

JBL VS3215-6/WH



SPECIFICATIONS

ACOUSTIC & ELECTRICAL SPECIFICATIONS:

- Frequency Range: 35 Hz – 18 kHz (–10dB)
- Crossover Frequencies: 300 Hz – 1.3 kHz

SYSTEM COMPONENTS:

- Cabinet: (Not For Sale)
- Grille: 128-00213-65, 128-00213-00 (Wh)
- Low Frequency Transducer: 380mm (15 in.) Cone Transducer (2227HPL)
Nominal Impedance: 8 ohms
Power Capacity: 600W AES: 2400W Peak
Sensitivity: 98 dB SPL, 1 Watt @ 1 Meter
DC Resistance: 4.7 ohm ± 10% Aluminum Wire
- Mid Frequency Transducer: 254mm (10 in.) Cone Transducer (2012HPL)
Nominal Impedance: 8 ohms
Power Capacity: 250W AES: 1000W Peak
Sensitivity: 108 dB SPL, 1 Watt @ 1 Meter
DC Resistance: 4.7 ohm ± 10% Aluminum Wire
- High Frequency Transducer: 100mm (4 in.) Pure Titanium Diaphragm (2447J)

SYSTEM COMPONENTS: (cont'd)

- Nominal Impedance: 16 ohms
- Power Capacity: 75W AES: 300W Peak
- Sensitivity: 114 dB SPL, 1 Watt @ 1 Meter
- DC Resistance: 8.0 ohm ± 8% Aluminum Wire
- Crossover Network: 129-30010-00

AURAL SWEEP TEST SPECIFICATIONS:

- A. L.F. Aural Sweep Test: 7.0V Input, 20 Hz to 1.2 kHz
- B. M.F. Aural Sweep Test: 7.0V Input, 250 Hz to 3 kHz
- C. H.F. Aural Sweep Test: 2.83V Input, 550 kHz to 20 kHz

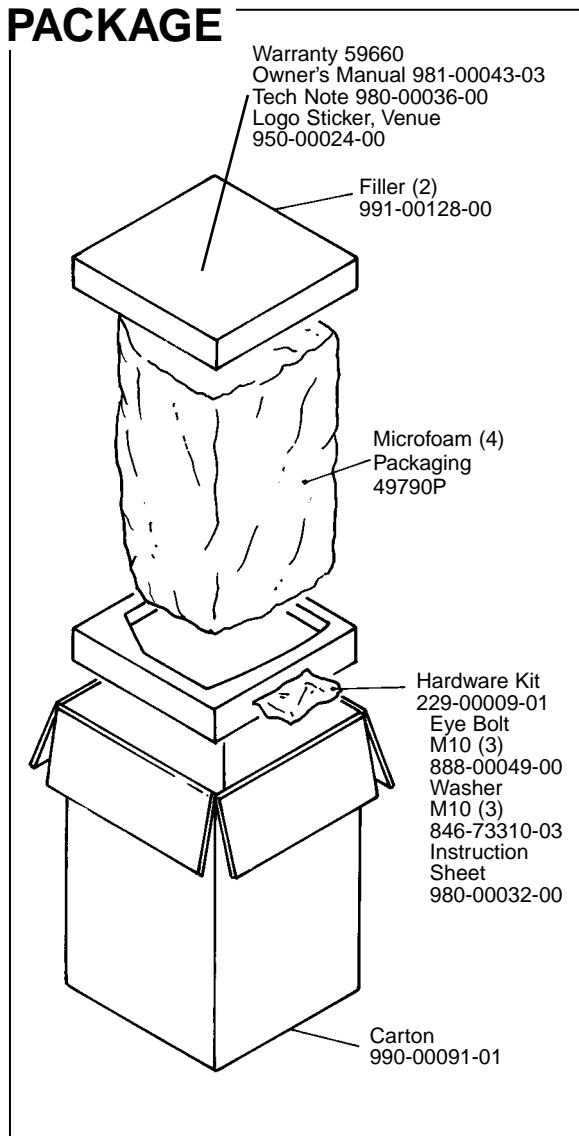
PHYSICAL SPECIFICATIONS:

- Enclosure Dimensions: 1137mm x 572mm x 572mm D (44.75 x 22.50 x 22.50 in. D)
- Net Weight: 164 lbs. (74.4 kg.)

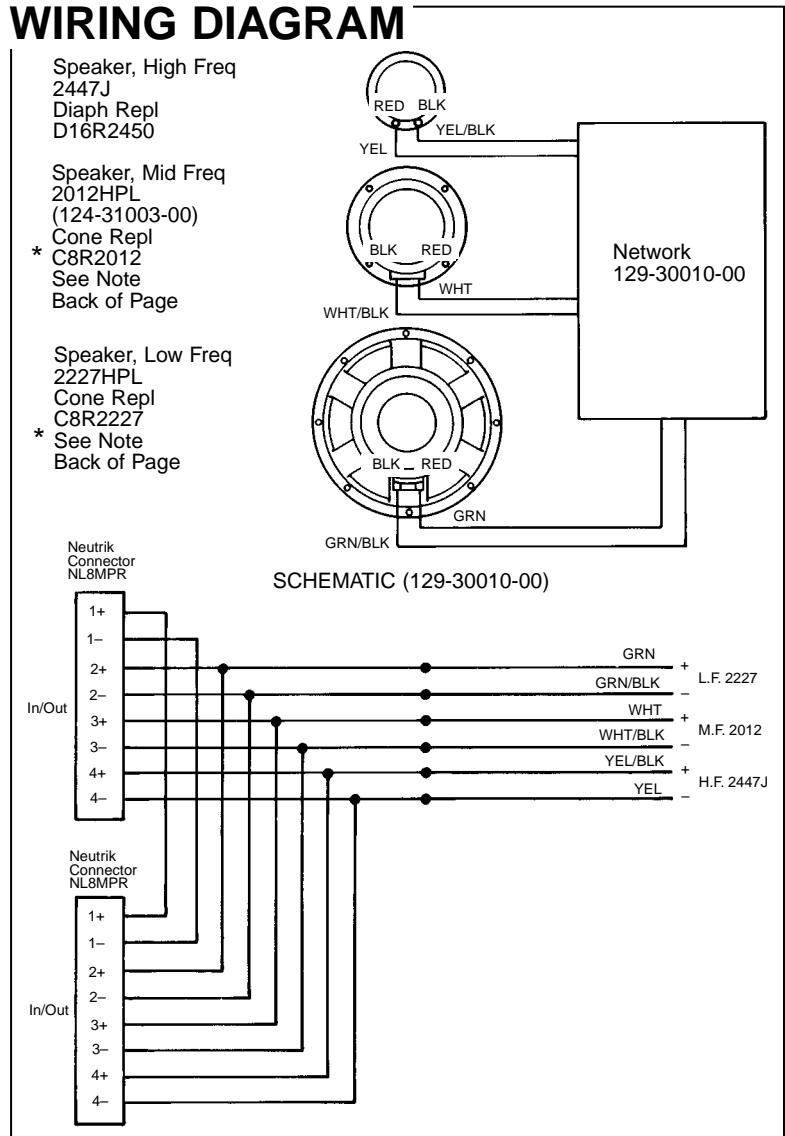
WARRANTY INFORMATION:

- Refer to Warranty Statement packed with each product.

PACKAGE



WIRING DIAGRAM



JBL VS3215-6/WH REV N

