

Technical Manual

JBL VS2110/WH



SPECIFICATIONS

ACOUSTIC & ELECTRICAL SPECIFICATIONS:

- Frequency Range: 170 Hz – 18 kHz (-10dB)
- Crossover Frequency: 1.8 kHz

SYSTEM COMPONENTS:

- Cabinet: (Not For Sale)
- Grille: 128-00233-65, 128-00233-00 (Wh)
- Mid Frequency Transducer: 203mm (8 in.) Cone Transducer (M209-8A)

- Nominal Impedance: 8 ohms
- Power Capacity: 150W AES: 600W Peak
- Sensitivity: 105 dB SPL, 1 Watt @ 1 Meter
- DC Resistance: 63 ohm ± 10% Copper Wire
- High Frequency Transducer: 44mm (1.75 in.) Pure Titanium Diaphragm (2425HS)
- Nominal Impedance: 8 ohms
- Power Capacity: 50W AES: 200W Peak

SYSTEM COMPONENTS: (cont'd)

- Sensitivity: 111 dB SPL, 1 Watt @ 1 Meter
- DC Resistance: 3.2 ohm ± 8% Aluminum Wire
- Crossover Network: 129-20031-00

AURAL SWEEP TEST SPECIFICATIONS:

- A. M.F. Aural Sweep Test: 7.0V Input, 20 Hz to 20 kHz
- B. H.F. Aural Sweep Test: 2.0V Input, 550 kHz to 20 kHz

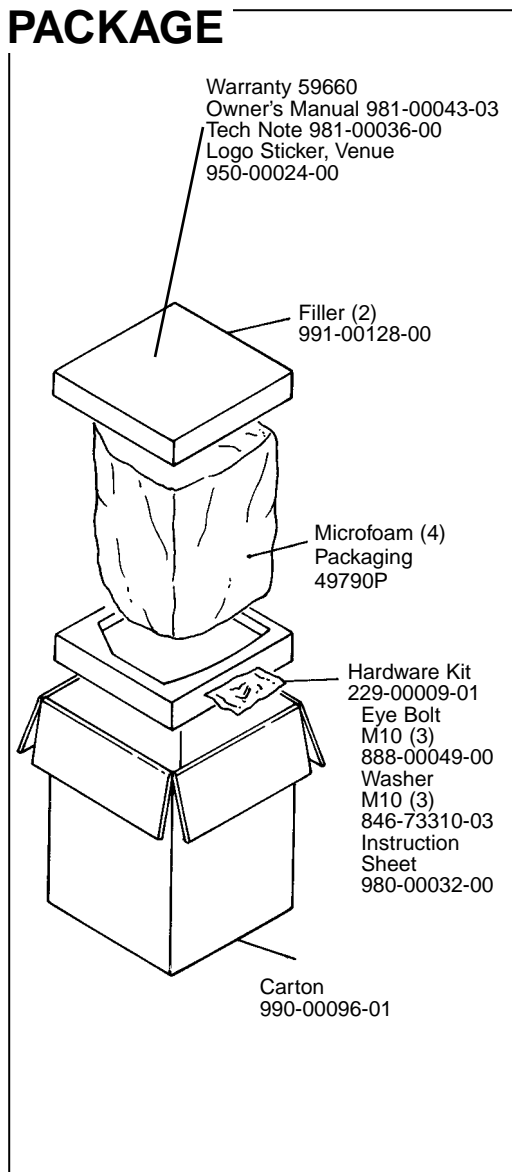
PHYSICAL SPECIFICATIONS:

- Enclosure Dimensions: 533mm x 572mm x 572mm D (21.0 x 22.50 x 22.50 in. D)
- Net Weight: 64 lbs. (29.0 kg.)

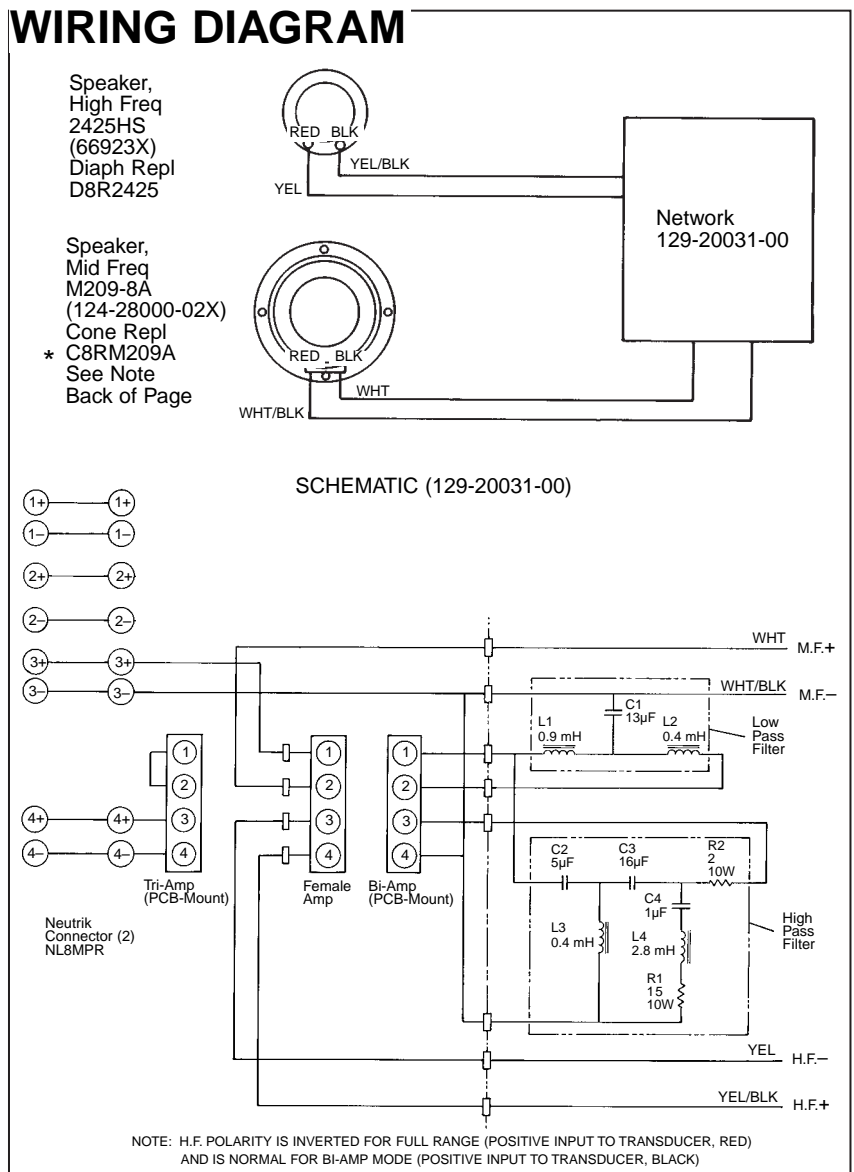
WARRANTY INFORMATION:

- Refer to Warranty Statement packed with each product.

PACKAGE



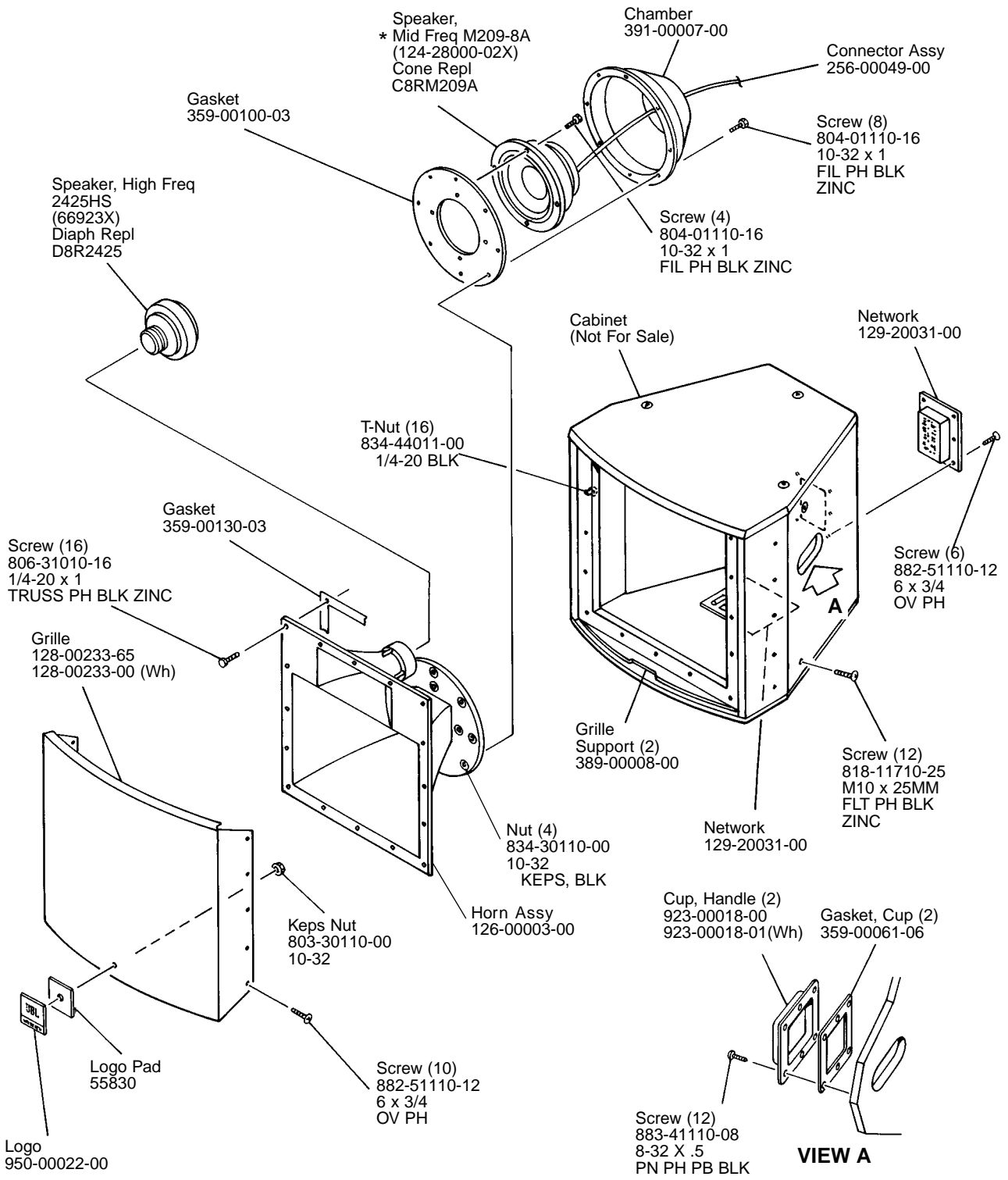
WIRING DIAGRAM



JBL VS2110/WH REV P

JBL VS2110/WH

COMPONENT EXPLODED VIEW



NOTE: BLACK DURAFLEX REPAIR KIT 30052

WHITE DURAFLEX REPAIR KIT 16679

* Treated Cones:
Install Sheet 980-00037-00
WR-2 (2 oz)
WR-16 (16 oz)

JBL VS2110/WH