

Technical Manual

JBL VS125HS/WH



SPECIFICATIONS

ACOUSTIC & ELECTRICAL SPECIFICATIONS:

- Frequency Range: 36 Hz – 460 Hz (–10dB)
- Crossover Frequency: 130 Hz

SYSTEM COMPONENTS:

- Cabinet: (Not For Sale)
- Grille: 128-00293-65, 128-00293-00 (Wh)
- Low Frequency Transducer: 380mm (15 in.) Cone Transducer (2226HPL) (2)
- Nominal Impedance: 4 ohms (2 x 8 ohms)
- Power Capacity: 1200W AES: 4800W Peak
- Sensitivity: 102 dB SPL, 1 Watt @ 1 Meter
- DC Resistance: 5.0 ohm ± 10% Aluminum Wire
- Crossover Network: 129-00016-00

AURAL SWEEP TEST SPECIFICATIONS:

- A. System Aural Sweep Test: 10.0V Input, 20 Hz to 2.5 kHz
- B. L.F. Aural Sweep Test: 10.0V Input, 250 Hz to 1.2 kHz

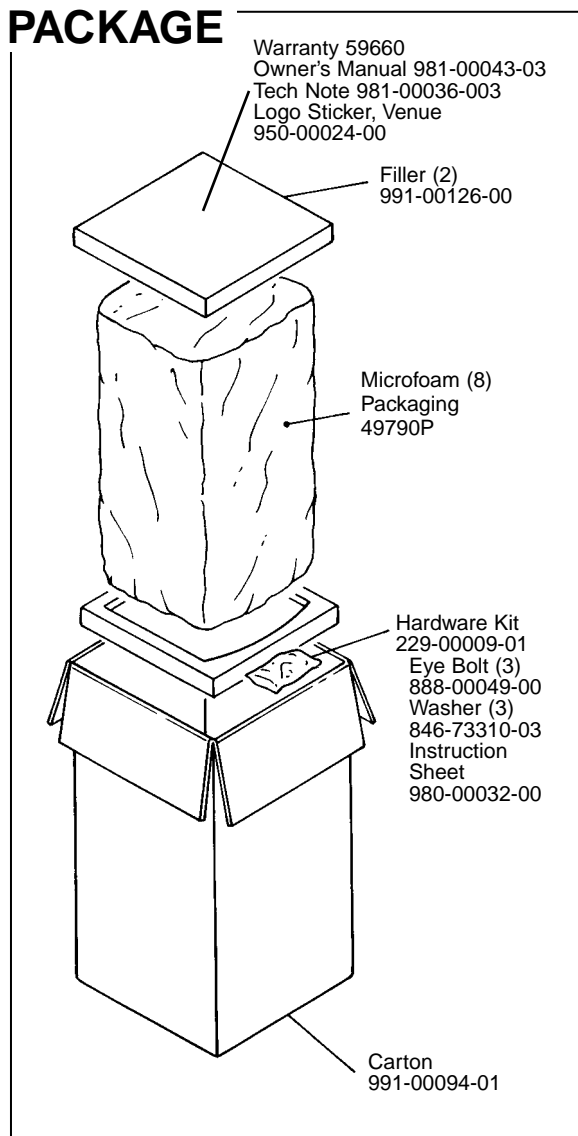
PHYSICAL SPECIFICATIONS:

- Enclosure Dimensions: 1151mm x 572mm x 572mm D (45.30 x 22.50 x 22.50 in. D)
- Net Weight: 139 lbs. (63.0 kg.)

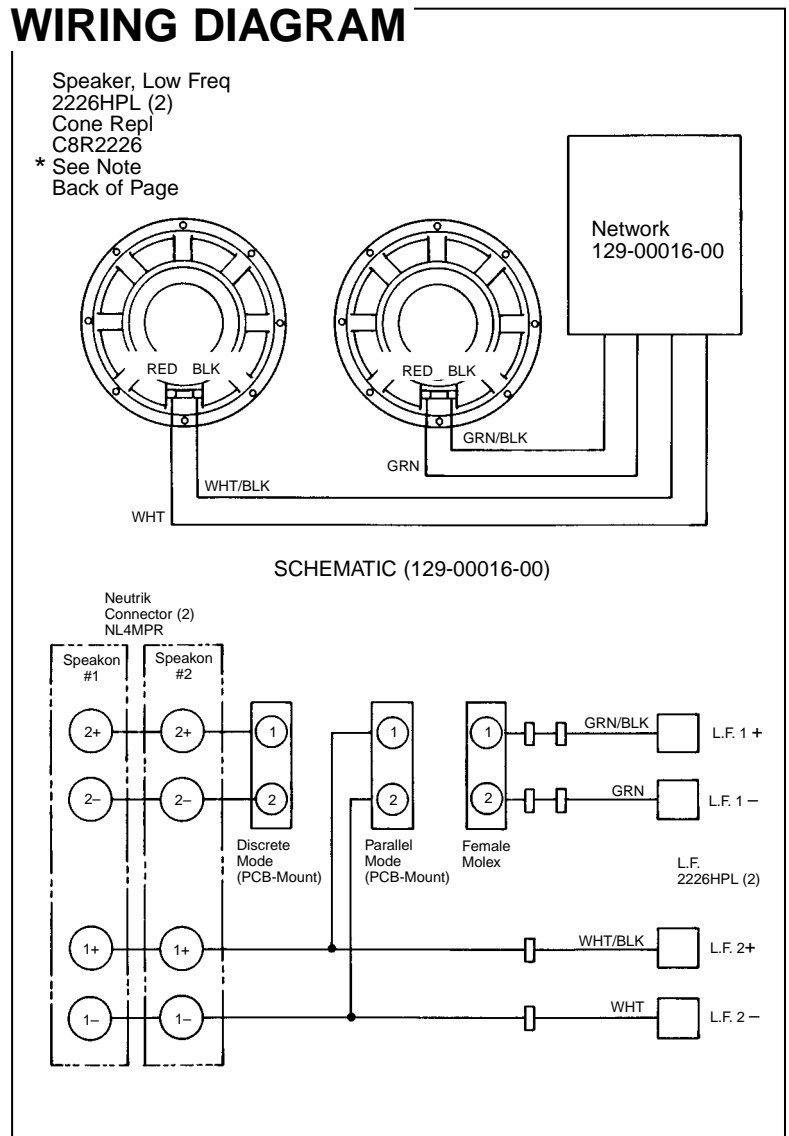
WARRANTY INFORMATION:

- Refer to Warranty Statement packed with each product.

PACKAGE



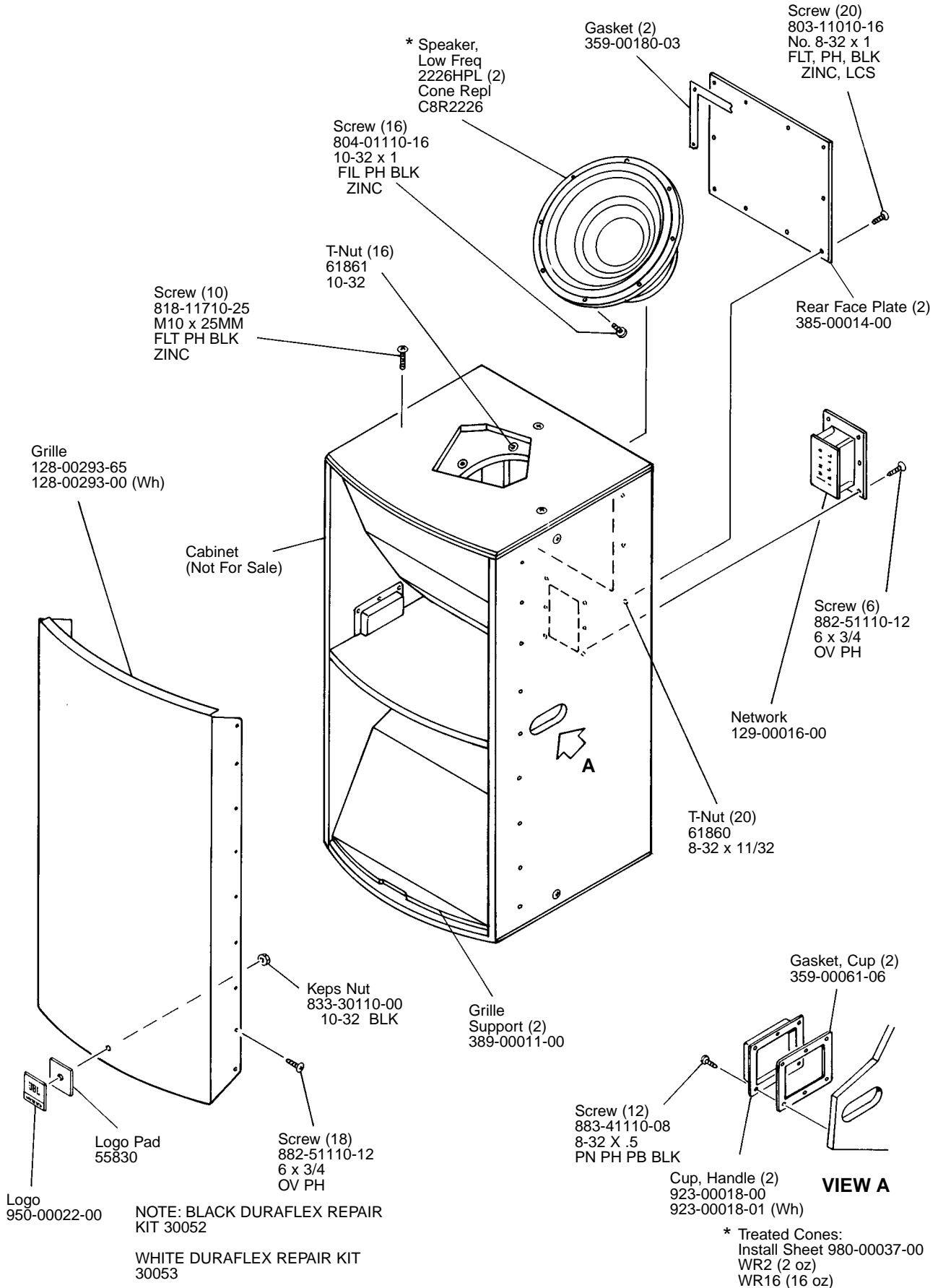
WIRING DIAGRAM



JBL VS125HS/WH REV K

JBL VS125HS/WH

COMPONENT EXPLODED VIEW



JBL VS125HS/WH