

Technical Manual



JBL VRX918SP/230

SPECIFICATIONS

ACOUSTIC & ELECTRICAL SPECIFICATIONS:

- DPC-2 Internal Amplification Output (at normal load): 1500 Watts Peak, 750 Watts Continuous
- Frequency Response: 34 Hz - 220 Hz (± 3 dB)
- Frequency Range: 31 Hz - 220 Hz (-10 dB)
- Maximum Peak Output: 126 dB SPL at 1m
- Signal Processing: DSP based, resident in Input Module
- AC Power Operating Range: 90-132 VAC or 216-264 VAC, 50/60Hz
- AC Input Connector: Neutrik PowerCon (NAC 3MPA)
- AC Loop through Connector: Neutrik PowerCon (NAC 3MPB)
- Audio Input Connector: XLR with loop through
- AC Current Requirements: 6A per system at 120V, 3A per system at 240V
- AC Line Voltage: User selectable: 120V/240V (-15% , $+10\%$)
- System Management: DSP based limiters for mechanical and thermal protection
- User Controls: Input Attenuator (0-16 dB), Selectable 80 Hz or 120 Hz Low Pass 80 Hz High-Pass enable/disable for XLR loop thru
- DCP-2 Output as (Continuous IEC shaped pink noise into rated load impedance): LF: 750 Watts
- DCP-2 Output Section: LF: Dual-Bridged Technology™, Class D

SYSTEM COMPONENTS: (CONT'D)

- Cabinet: Enclosure (Not For Sale)
- Grille: 352326-001
- Low Frequency Transducer: 2268FF, 457 mm (18 in.) dual voice coil Differential Driver® woofer with neodymium-magnet
- Bandpass Nominal Impedance: 2 x 2 ohms
- DC Resistance: 2.7 ohms $\pm 10\%$

AURAL SWEEP TEST SPECIFICATIONS:

- A. System Aural Sweep Test: 0.8V (Gain Fully CCW)
- B. L.F. Aural Sweep Test: 7 Vrms, 10Hz to 1kHz

PHYSICAL SPECIFICATIONS:

- Enclosure Dimensions: 508 x 597 x 749 mm D (20.0 x 23.5 x 29.5 in. D)
- Net Weight: 85 lb (38.5 kg.)

WARRANTY INFORMATION:

- Refer to Warranty Statement packed with each product.

PACKAGE

Warranty 59660

Power Cord Assembly Pack / Edison, Shucko 355040-002

Contents:
355146-001 (120V) Power Cord
355147-001 (230V) Power Cord

NAC3FCB
Neutrik
Gray PowerCon

Filler, Power Cord 364979-001

Manual 364536-001

Carton 364980-001

Filler (2) 352349-001

Pkg, Microfoam (8) 49790P

WIRING DIAGRAM

Driver, Low Freq 2268FF (364537-001X) Cone Repl C2X2R2268

Amplifier Assembly DPC-2

Wire Harness 364413-001

WIRE HARNESS SCHEMATIC (364413-001)

HOUSING DETAIL

VIEW A-A
NUMBER IDENTIFICATION

VIEW B-B
WIRE COLOR

HOUSING DETAIL

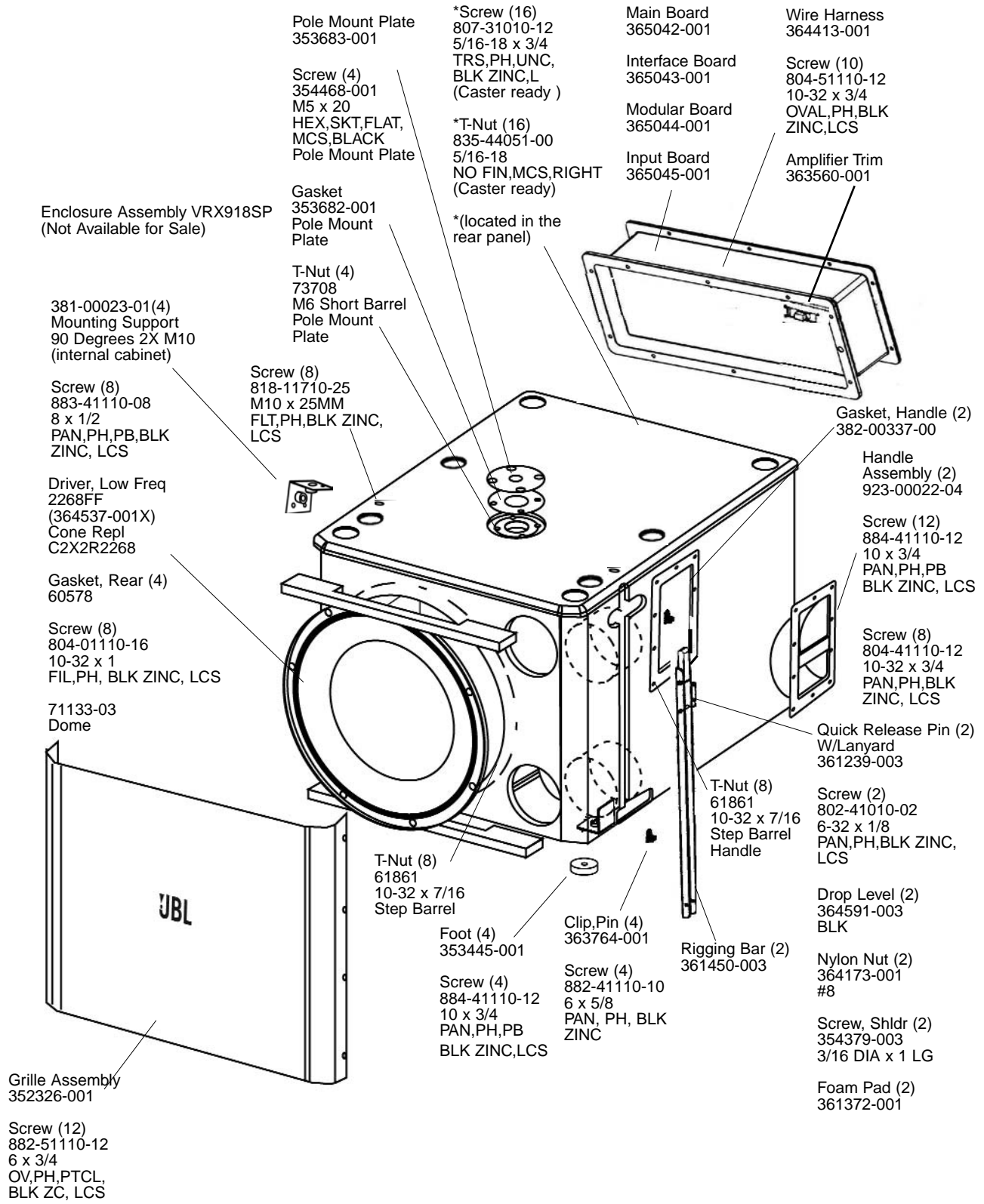
VIEW A-A
NUMBER IDENTIFICATION

VIEW B-B
WIRE COLOR

JBL VRX918SP/230 REV I

JBL VRX918SP/230

COMPONENT EXPLODED VIEW

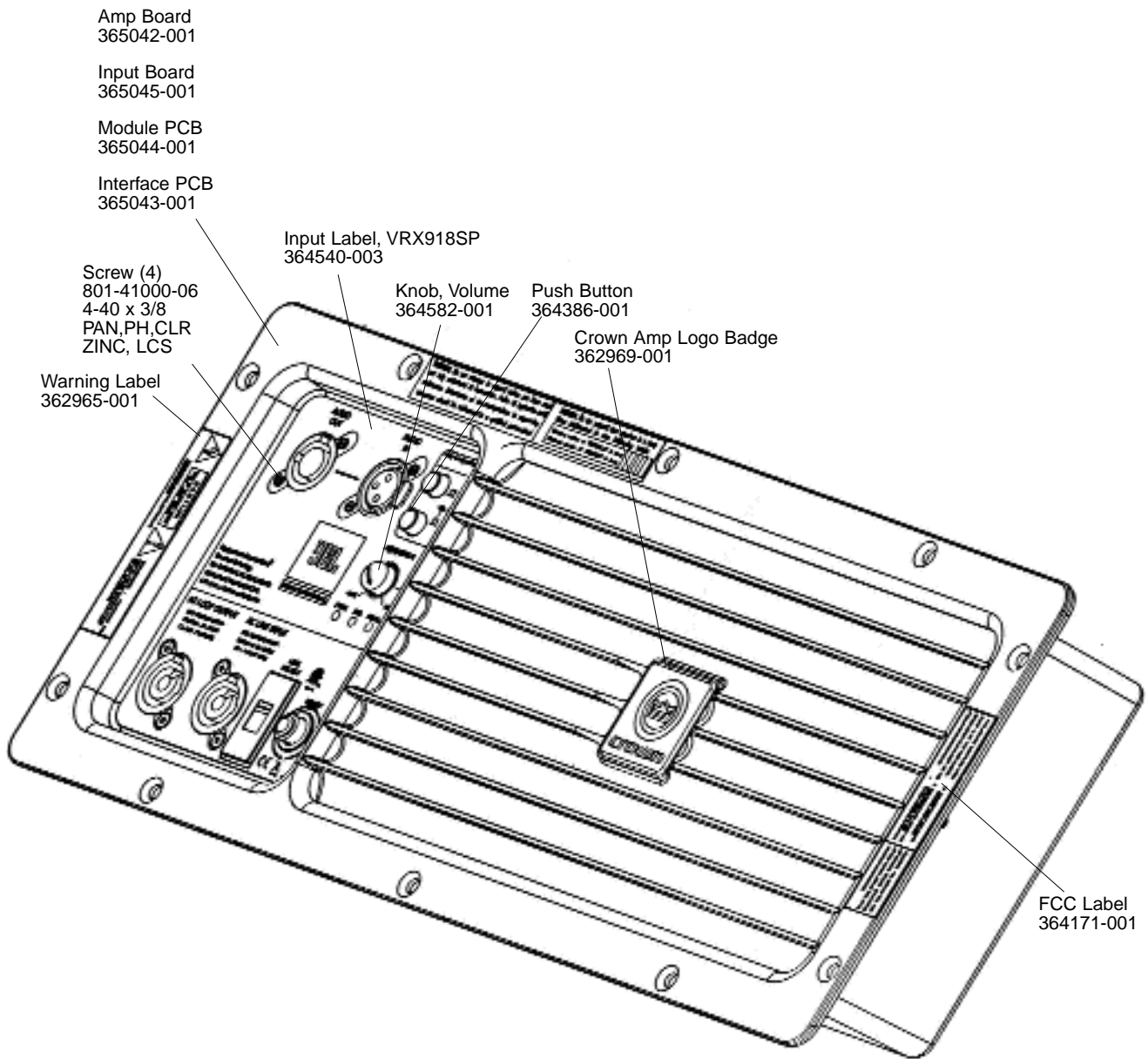


JBL VRX918SP/230

JBL VRX918SP/230

AMPLIFIER ASSEMBLY

363679-005



JBL VRX918SP/230