

# Technical Manual



# JBL VRX915S

## SPECIFICATIONS

### ACOUSTIC & ELECTRICAL SPECIFICATIONS:

- Nominal Impedance: 4 Ohms
- Power Capacity: Continuous / Program / Peak:  
Passive: 800W / 1600W / 3200W
- Frequency Range: 35 Hz – 250 Hz (-10 dB)
- System Sensitivity: Passive Mode 91 dB SPL
- Maximum Peak SPL: 126 dB SPL
- Crossover Freq.: HPF: Butterworth 24 dB /oct, 45 Hz  
LPF: Linkwitz-Riley 48 dB /oct, 80-120 HZ

### SYSTEM COMPONENTS:

- Cabinet: Enclosure (Not For Sale)
- Grille: 363892-001
- Low Frequency Transducer: 2265G-1, 250 mm (15 in) Differential Driver Woofer
- DC Resistance: 5.2 ohms ± 10%
- Crossover Network: Terminal Cup

### AURAL SWEEP TEST SPECIFICATIONS:

- A. System Aural Sweep Test: 10.0V Input, 20 Hz to 1 kHz
- B. L.F. Aural Sweep Test: 10.0V Input, 40 Hz to 1 kHz

### PHYSICAL SPECIFICATIONS:

- Enclosure Dimensions: 496 mm x 420 mm x 597 mm D  
(19.5 in. x 16.5 in. x 23.5 in. D)
- Net Weight: 58 lbs. (26.3 kg.)

### WARRANTY INFORMATION:

- Refer to Warranty Statement packed with each product.

## PACKAGE

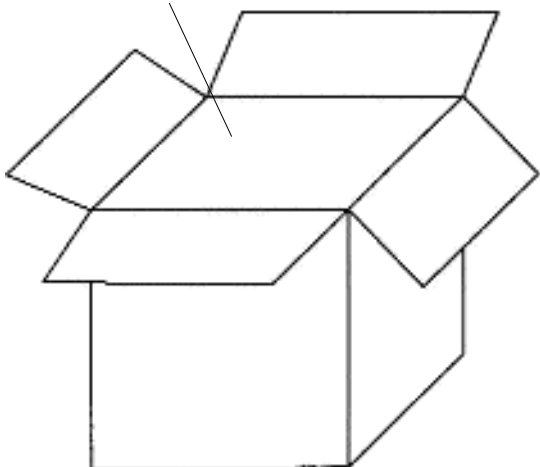
Warranty 59660

Owners Manual  
353551-007

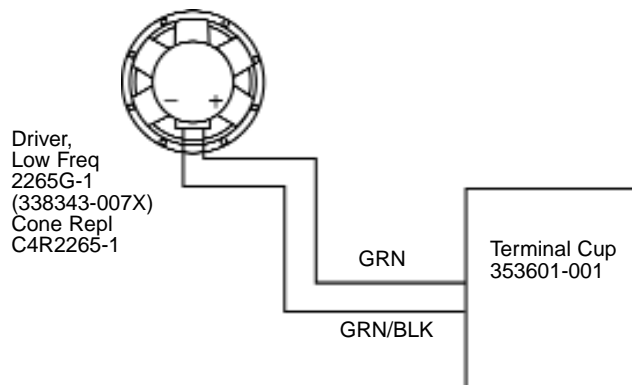
Carton  
363924-001

Filler (2)  
363923-001

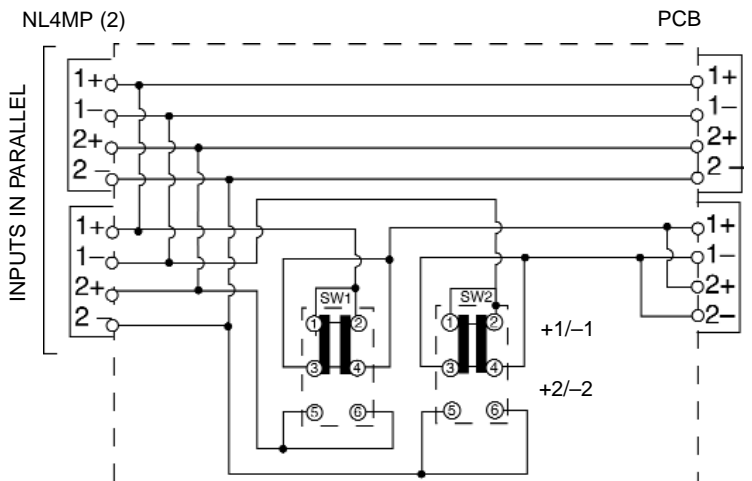
Pkg, Microfoam (8)  
49790P



## WIRING DIAGRAM



TERMINAL CUP SCHEMATIC 353601-001



# JBL VRX915S

## COMPONENT EXPLODED VIEW

