

Technical Manual



JBL VPSB7118DPAN/CN/DA SPECIFICATIONS

ACOUSTIC & ELECTRICAL SPECIFICATIONS:

- Nominal Impedance: 4 Ohms
- Frequency Response: 39 Hz – 145 Hz (± 3 dB)
- Frequency Range: 29 Hz – 165 Hz (-10 dB)
- Max. Peak Output: 129 dB SPL 1m

TRANSDUCER SECTION:

- Cabinet: Enclosure (Not For Sale)
- Grille: 362147-001
- Low Frequency: 2268G, 457 mm (18 in) dia., 76 mm (3 in) Dual Coil Differential Drive, Direct Cooled,
- DC Resistance: 2.7 ohms $\pm 10\%$
- Crossover Network 352817-001

SYSTEM:

- DP1 Internal Amp Output: 3600W Peak, 1800W Continuous (at nominal load)
- DP1 Output Section: 1-Channel, Class I
- Audio Input Connector: XLR with loop-through
- Network Control Connector: Ethernet, RJ45
- Signal Processing: DSP based, resident in Input Module

SYSTEM (CONT'D):

- System Management: DSP based limiters for mechanical and thermal protection
- AC Power Oper. Range: Auto Select 90-132VAC/216-264VAC, 50/60 Hz
- AC Line Voltage: 50/60 Hz, Auto-Detect; 120V/240V (-15%, +10%)
- AC Input Connector: Neutrik PowerCon
- AC Loop-thru: Neutrik PowerCon
- AC Current Requirement: 6A per system at 120V, 3A per system at 240V

AURAL SWEEP TEST SPECIFICATIONS:

- A. System Aural Sweep Test: 70.0mV Input, 10 Hz to 1 kHz
- B. L.F. Aural Sweep Test: 10.0V Input, 10 Hz to 200 Hz

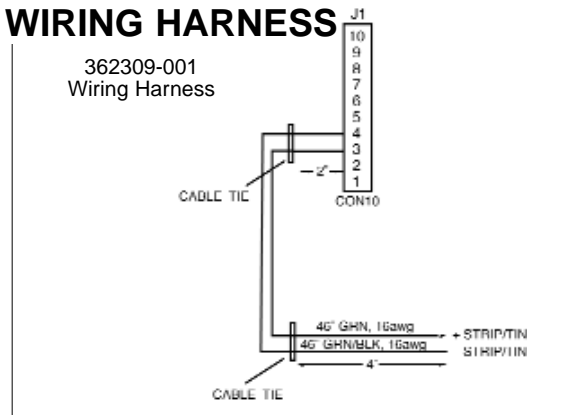
PHYSICAL SPECIFICATIONS:

- Enclosure Dimensions: 514.4 mm x 701.8 mm x 812.8 mm D (20.25 in. x 27.63 in. x 32.0 in. D)
- Net Weight: 54 kg. (129 lbs.)

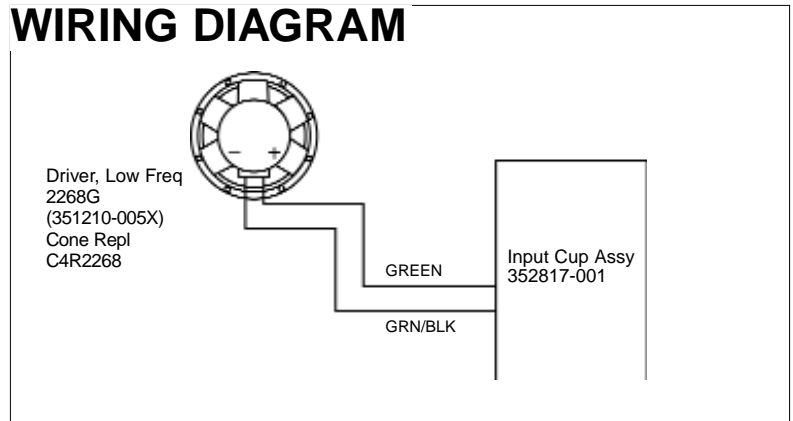
WARRANTY INFORMATION:

- Refer to Warranty Statement packed with each product.

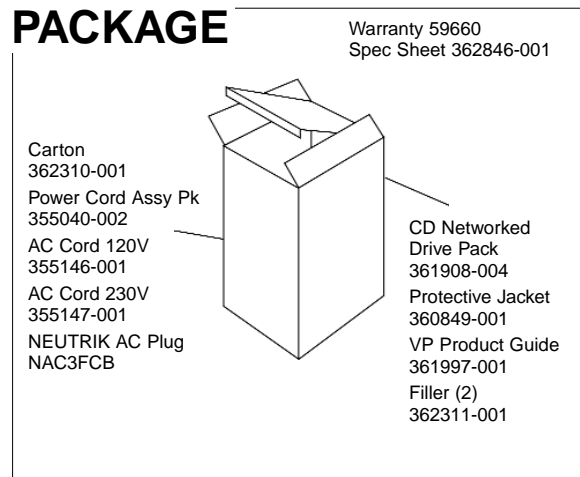
WIRING HARNESS



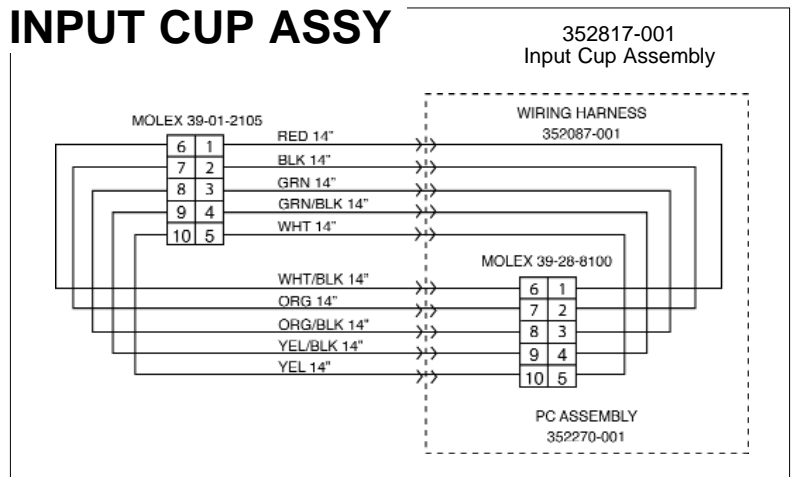
WIRING DIAGRAM



PACKAGE



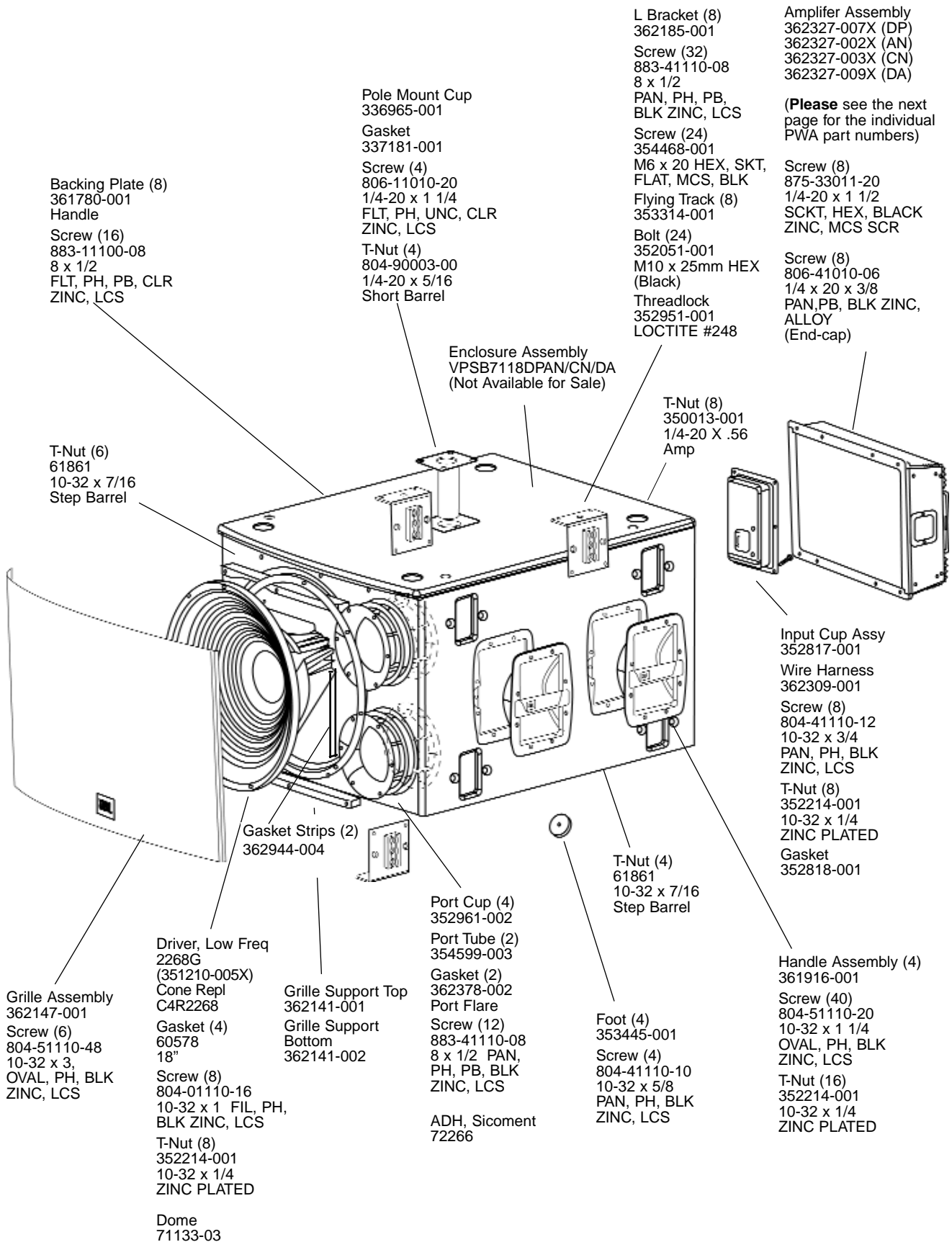
INPUT CUP ASSY



JBL VPSB7118DPAN/CN/DA REV N

JBL VPSB7118DPAN/CN/DA

COMPONENT EXPLODED VIEW



Backing Plate (8)
361780-001
Handle
Screw (16)
883-11100-08
8 x 1/2
FLT, PH, PB, CLR
ZINC, LCS

T-Nut (6)
61861
10-32 x 7/16
Step Barrel

Pole Mount Cup
336965-001
Gasket
337181-001
Screw (4)
806-11010-20
1/4-20 x 1 1/4
FLT, PH, UNC, CLR
ZINC, LCS
T-Nut (4)
804-90003-00
1/4-20 x 5/16
Short Barrel

Enclosure Assembly
VPSB7118DPAN/CN/DA
(Not Available for Sale)

L Bracket (8)
362185-001
Screw (32)
883-41110-08
8 x 1/2
PAN, PH, PB,
BLK ZINC, LCS
Screw (24)
354468-001
M6 x 20 HEX, SKT,
FLAT, MCS, BLK
Flying Track (8)
353314-001
Bolt (24)
352051-001
M10 x 25mm HEX
(Black)
Threadlock
352951-001
LOCTITE #248

Amplifier Assembly
362327-007X (DP)
362327-002X (AN)
362327-003X (CN)
362327-009X (DA)

(Please see the next
page for the individual
PWA part numbers)

Screw (8)
875-33011-20
1/4-20 x 1 1/2
SKT, HEX, BLACK
ZINC, MCS SCR

Screw (8)
806-41010-06
1/4 x 20 x 3/8
PAN, PB, BLK ZINC,
ALLOY
(End-cap)

T-Nut (8)
350013-001
1/4-20 X .56
Amp

Input Cup Assy
352817-001
Wire Harness
362309-001
Screw (8)
804-41110-12
10-32 x 3/4
PAN, PH, BLK
ZINC, LCS
T-Nut (8)
352214-001
10-32 x 1/4
ZINC PLATED
Gasket
352818-001

Gasket Strips (2)
362944-004

T-Nut (4)
61861
10-32 x 7/16
Step Barrel

Grille Assembly
362147-001
Screw (6)
804-51110-48
10-32 x 3,
OVAL, PH, BLK
ZINC, LCS

Driver, Low Freq
2268G
(351210-005X)
Cone Repl
C4R2268
Gasket (4)
60578
18"
Screw (8)
804-01110-16
10-32 x 1 FIL, PH,
BLK ZINC, LCS

T-Nut (8)
352214-001
10-32 x 1/4
ZINC PLATED

Dome
71133-03

Grille Support Top
362141-001
Grille Support
Bottom
362141-002

Port Cup (4)
352961-002
Port Tube (2)
354599-003
Gasket (2)
362378-002
Port Flare
Screw (12)
883-41110-08
8 x 1/2 PAN,
PH, PB, BLK
ZINC, LCS

ADH, Sicoment
72266

Foot (4)
353445-001
Screw (4)
804-41110-10
10-32 x 5/8
PAN, PH, BLK
ZINC, LCS

Handle Assembly (4)
361916-001
Screw (40)
804-51110-20
10-32 x 1 1/4
OVAL, PH, BLK
ZINC, LCS
T-Nut (16)
352214-001
10-32 x 1/4
ZINC PLATED

DP1 AMPLIFIER ASSEMBLY REFERENCE

AMPLIFIER ASSEMBLY 362327-001

Amplifier Assemblies

DP1

Note: Amplifier assembly includes the input module.

Part No.	Description
362327-001	Amplifier Assembly, Base Model, VP/VT-Series
362327-002X	Amplifier Assembly, VPSB7118DPAN
362327-003X	Amplifier Assembly, VPSB7118DPCN
362327-004X	Amplifier Assembly, VT4881ADP
362327-005X	Amplifier Assembly, VT4881DP-AN
362327-006X	Amplifier Assembly, VT4881DP-CN
362327-007X	Amplifier Assembly, VPSB7118DP
362327-008X	Amplifier Assembly, VT4881DP-DA
362327-009X	Amplifier Assembly, VPSB7118DP-DA

Input Modules

Note: If ordering an input module you must order 1 of the tuning files below depending on the system model number.

	DP-dbx	DP-AN	DP-CN	DP-DA
	361541-001X	361092-001X	361093-001X	444668-001X
Model Numbers	Tuning File Part Numbers			
VT4881ADP	363146-001	363457-001	363458-001	445072-001
VPSB7118DP	364097-001	362351-001	362352-001	445119-001

Note: These 4 individual PWA's are out of the main panel:

PWA,DP1 Panel 137084-6JBL	PWA,DP1 Main 137084-5AJBL	PWA,DP1 LF MOD 137084-5CJBL
	PWA,DP1 LVPS 137084-5BJBL	PWA, DP1 SPKR Interface 137084-5DJBL

