

Technical Manual



JBL VP7215/95DPC

SPECIFICATIONS

ACOUSTIC & ELECTRICAL SPECIFICATIONS:

- Frequency Response: 60 Hz - 18 kHz (± 3 dB)
- Frequency Range: 45 Hz - 20 kHz (-10 dB)
- Maximum Peak Output: 135 dB SPL 1m
- Coverage Pattern: 90° x 50°
- Directivity Factor (Q): 12.6
- Directivity Index (DL): 11 dB

TRANSDUCER SECTION:

- Cabinet: Not for Sale
- Grille: 365639-001
- Low Frequency Driver: JBL 2265FF, 381mm (15 in) dia., 76mm (3 in) Dual Coil neodymium Differential Drive®, Direct Cooled
- Bandpass Nominal Impedance: 2 x 2 ohms
- High Frequency Driver: JBL 2452H-SL, 100mm (4 in) titanium damped diaphragm, 1.5 in exit
- Bandpass Nominal Impedance: 8 ohms

SYSTEM:

- DPC1 Internal Amplification Output (at nominal load): 1750 Watts Peak, 875 Watts Continuous
- DPC1 Output: 750 LF/125 HF Watts (Continuous IEC shaped pink noise into rated load impedance)
- DPC1 Output Section: LF: Dual Bridged Technology™, Class D
HF: Bridged Class D

SYSTEM CONT'D:

- Audio Input Connector: XLR with loop-through
- User Controls: 80 Hz Subwoofer High Pass Filter. Enable / Disable 0-16 dB input Attenuator w/ 32 precision 0.5 dB steps
- Signal Processing: DSP based, resident in Input Module
- System Management: DSP based limiters for mechanical and thermal protection
- AC Power Operating Range: 90-132 VAC/216-264 VAC, 50/60 Hz
- AC Line Voltage: 50/60 Hz, User Selectable; 120V/240V (-15%, +10%)
- AC Input Connector: Neutrik PowerCon (NAC 3MPA)
- AC Look-thru: Neutrik PowerCon (NAC 3MPB)
- AC Current Requirement: 6A per system @ 120V, 3A/system @ 240V

AURAL SWEEP TEST SPECIFICATIONS:

- A. System Aural Sweep Test: 150mV Input, 20 Hz to 20 kHz Volume control clockwise
- B. L.F. Aural Sweep Test: 10V Input, 10 Hz to 100 Hz
- C. H.F. Aural Sweep Test: 2.5V Input, 300 Hz to 20 kHz

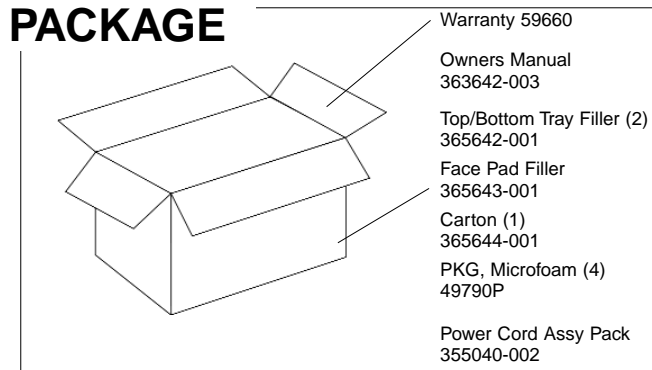
PHYSICAL SPECIFICATIONS:

- Enclosure Dimensions: 613 x 434 x 359 mm (Height x Width x Depth) 24.1 x 17.1 x 14.1 in
- Net Weight: 55 lb (24.7kg)

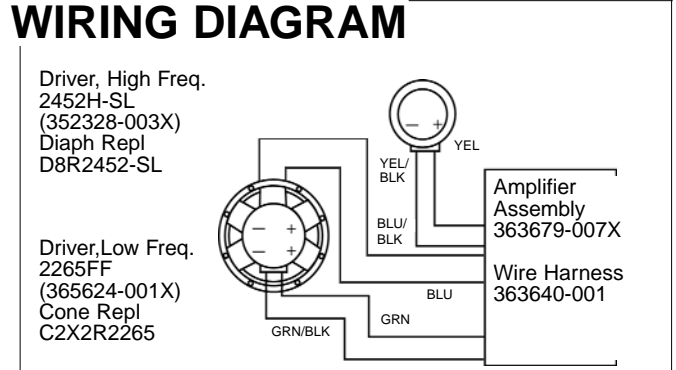
WARRANTY INFORMATION:

- Refer to Warranty Statement packed with each product.

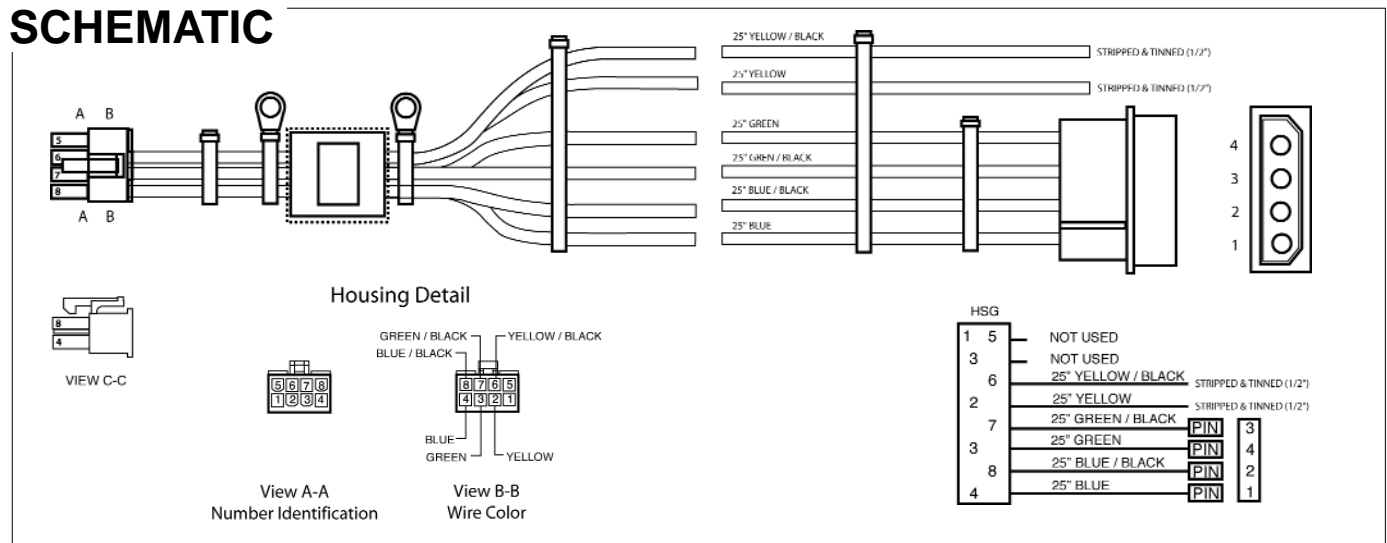
PACKAGE



WIRING DIAGRAM



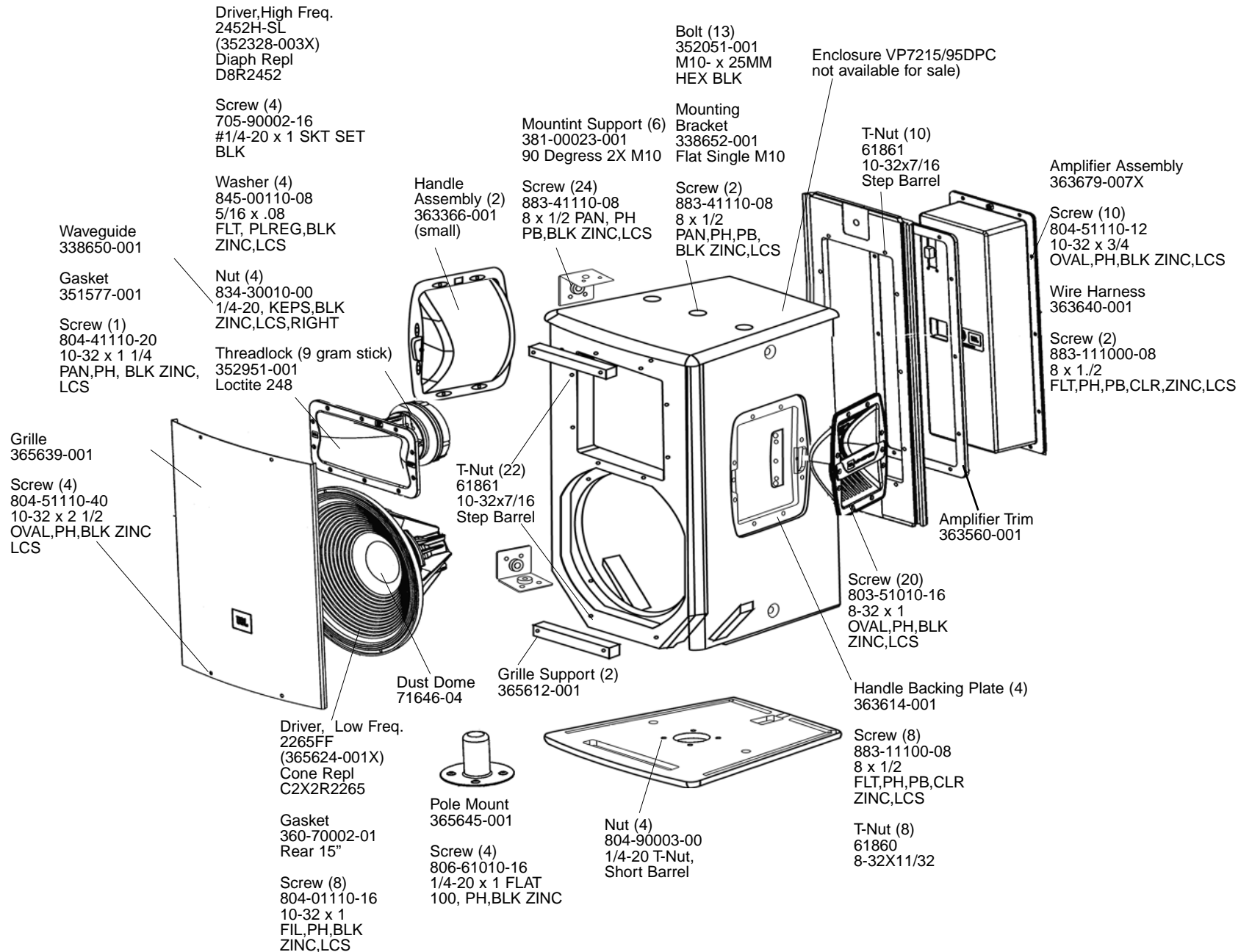
SCHEMATIC



JBL VP7215/95DPC REV A

JBL VP7215/95DPC

COMPONENT EXPLODED VIEW



JBL VP7215/95DPC

JBL VP7215/95DPC

AMPLIFIER ASSEMBLY 363679-007

