

Technical Manual



JBL VP7212MDP

SPECIFICATIONS

ACOUSTIC & ELECTRICAL SPECIFICATIONS:

- Frequency Response: 80 Hz – 18 kHz (± 3 dB)
- Frequency Range: 55 Hz – 20 kHz (-10 dB)
- Maximum Peak Output: 134 dB SPL 1m
- Coverage Pattern: 90° x 50° rotatable waveguide
- Directivity Factor (Q): 12.6
- Directivity Index (DL): 11 dB

TRANSDUCER SECTION:

- Cabinet: Enclosure (Not for Sale)
- Grille: 363498-001
- Low Frequency Driver: 2262FF, 304mm (12 in) dia., 76mm (3 in) Dual Coil neodymium Differential Drive, Direct Cooled
- Bandpass Nominal Impedance: 2 x 2 ohms
- High Frequency Driver: 2452H-SL, 100mm (4 in) titanium amp'd diaphragm, 1.5 in exit
- Bandpass Nominal Impedance: 8 Ohms

SYSTEM:

- DPC1 Internal Amplification Output (at nominal load): 1750W Peak, 875W Continuous
- DPC1 Output: 750 LF / 125 HF Watts (Continuous IEC shaped pink noise rated load impedance)
- DPC1 Output Section: LF: Dual Bridge Technology, Class D
HF: Bridged Class D
- Audio Input Connector: XLR with loop-through

SYSTEM CONT'D:

- User Controls: System EQ Selection: Full Range or Speech / Vocal 0-16 dB input Attenuator w/ 32 precision 0.5 dB steps
- Signal Processing: DSP based, resident in Input Module
- System Management: DSP based limiters for mechanical and thermal protection
- AC Power Operating Range: 90-132 VAC / 216-264 VAC, 50/60 Hz
- AC Line Voltage: 50/60 Hz, Auto-Detect; 120V/240V (-15%, +10%)
- AC Input Connector: Neutrik PowerCon (NAC 3MPA)
- AC Look-thru: Neutrik PowerCon (NAC 3MPB)
- AC Current Requirement: 6A/system at 120V, 3A/system at 240V

AURAL SWEEP TEST SPECIFICATIONS:

- A. System Aural Sweep Test: 150mV Input, 20 Hz to 20 kHz
- B. L.F. Aural Sweep Test: 4.0V Input, 20 Hz to 1.2 kHz
- C. H.F. Aural Sweep Test: 2.5V Input, 300 Hz to 20 kHz

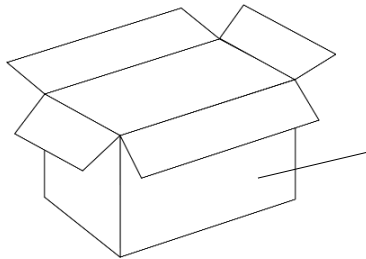
PHYSICAL SPECIFICATIONS:

- Enclosure Dimensions: 346 x 565 x 413 mm (Height x Width x Depth) 13.6 x 22.3 x 16.2 in
- Net Weight: 20.7 kg (45.5 lb)

WARRANTY INFORMATION:

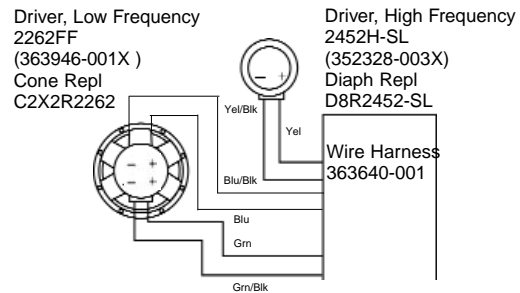
- Refer to Warranty Statement packed with each product.

PACKAGE

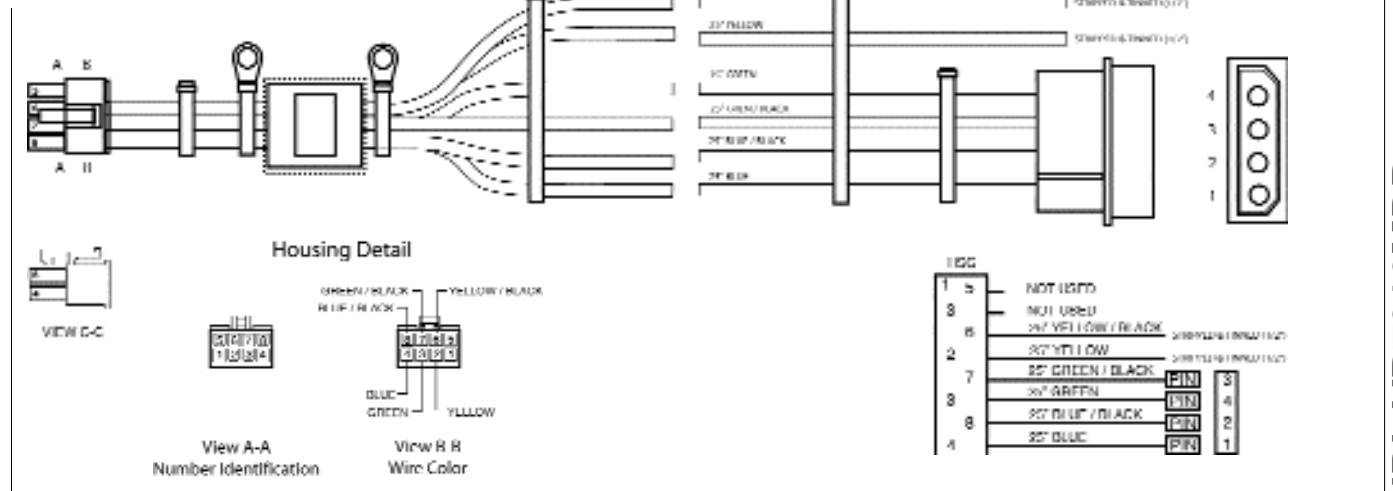


- Owners Manual 363642-003
- Carton 363940-001
- Filler (2) 363942-001 363942-002
- Package, Microfoam (2) 49790P
- 20" x 18" Sheets
- Power Cord Assy Pack 355040 -002

WIRING DIAGRAM



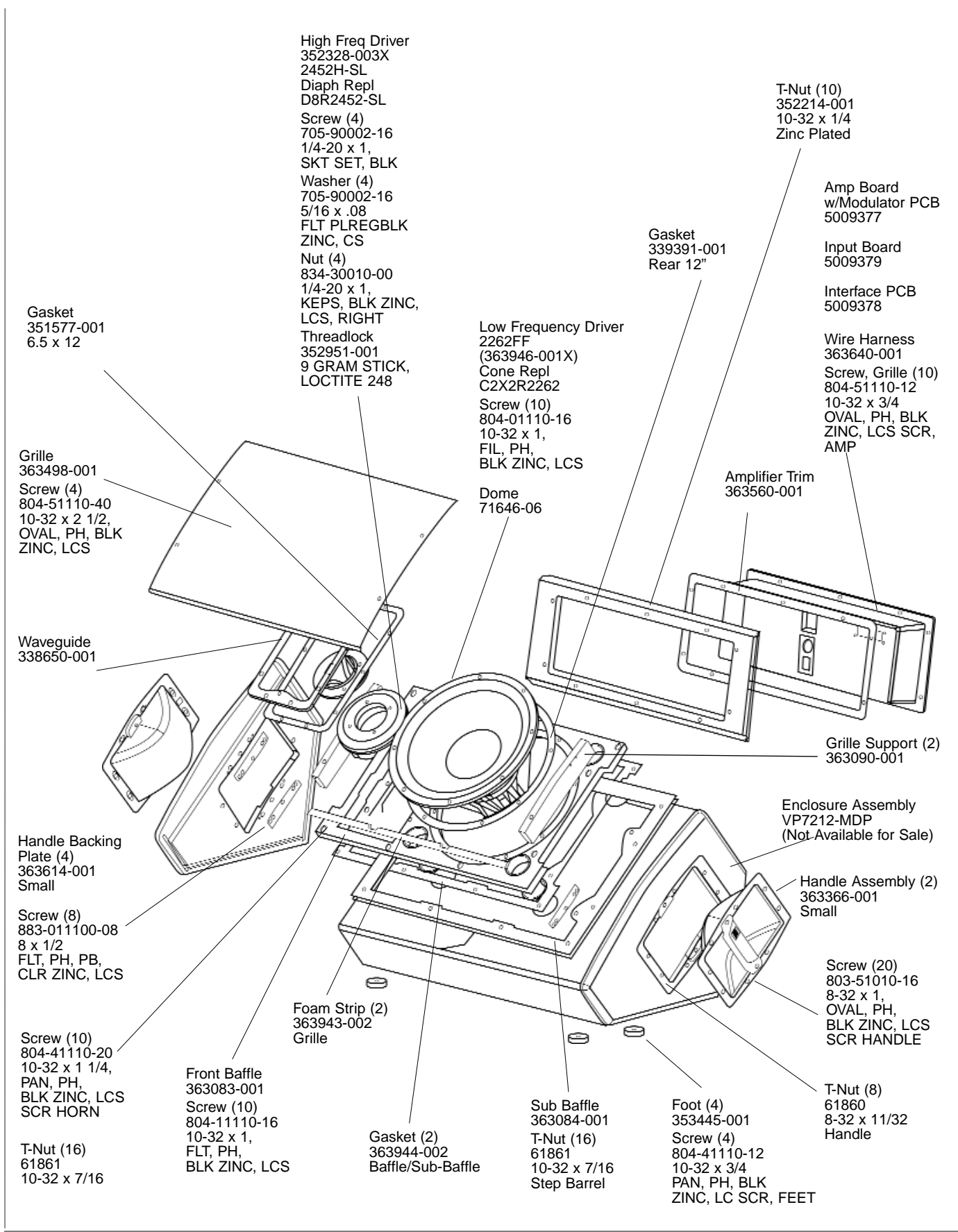
SCHEMATIC



JBL VP7212MDP REV G

JBL VP7212MDP

COMPONENT EXPLODED VIEW



JBL VP7212MDP

JBL VP7212MDP

AMPLIFIER ASSEMBLY 363679-003

