

Technical Manual



JBL VP7212/95DPC

SPECIFICATIONS

ACOUSTIC & ELECTRICAL SPECIFICATIONS:

- Frequency Response: 65 Hz - 18 kHz (± 3 dB)
- Frequency Range: 55 Hz - 20 kHz (-10 dB)
- Maximum Peak Output: 134 dB SPL 1m
- Coverage Pattern: $90^\circ \times 50^\circ$
- Directivity Factor (Q): 12.6
- Directivity Index (DL): 11 dB

TRANSDUCER SECTION:

- Cabinet: Enclosure (Not for Sale)
- Grille: 365659-001
- Low Frequency Driver: 2262FF, 304mm (12 in) dia., 76mm (3 in) Dual Coil neodymium Differential Drive[®] Direct Cooled
- Bandpass Nominal Impedance: 2 x 2 ohms
- High Frequency Driver: 2452H-SL, 100mm (4 in) titanium damped diaphragm, 1.5 in exit,
- Bandpass Nominal Impedance: 8 Ohms

SYSTEM:

- DPC1 Internal Amplification Output (at nominal load): 1750W Peak, 875W Continuous
- DPC1 Output: 750 LF/125 HF Watts (Continuous IEC shaped pink noise into rated load impedance)
- DPC1 Output Section: LF: Dual Bridged Technology[™], Class D
HF: Bridged Class D

SYSTEM CONT'D:

- Audio Input Connector: XLR with loop-through
- User Controls: 80 Hz Subwoofer High Pass Filter. Enable / Disable 0-16 dB input Attenuator w/ 32 precision 0.5 dB steps
- Signal Processing: DSP based, resident in Input Module
- System Management: DSP based limiters for mechanical and thermal protection
- AC Power Operating Range: 90-132 VAC/216-264 VAC, 50/60 Hz
- AC Line Voltage: 50/60 Hz, User Selectable; 120V/240V (-15%, +10%)
- AC Input Connector: Neutrik PowerCon (NAC 3MPA)
- AC Look-thru: Neutrik PowerCon (NAC 3MPB)
- AC Current Requirement: 6A per system at 120V, 3A/system at 240V

AURAL SWEEP TEST SPECIFICATIONS:

- A. System Aural Sweep Test: 150mV Input, 20 Hz to 20 kHz
Volume control clockwise
- B. L.F. Aural Sweep Test: 7V Input, 10 Hz to 1 kHz
- C. H.F. Aural Sweep Test: 2.5V Input, 300 Hz to 20 kHz

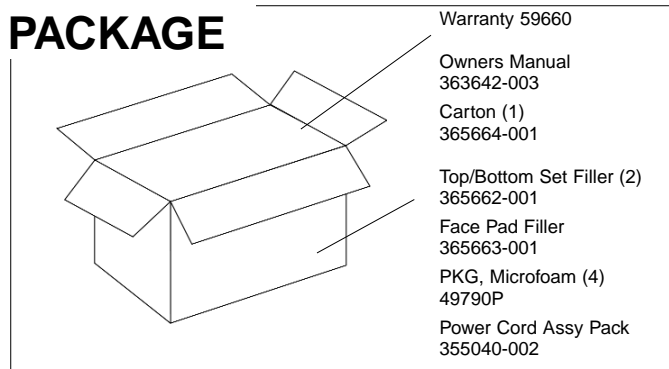
PHYSICAL SPECIFICATIONS:

- Enclosure Dimensions: 533 x 358 x 334 mm
(Height x Width x Depth) 21.0 x 14.1 x 13.1 in
- Net Weight: 47 lb (21.3 kg)

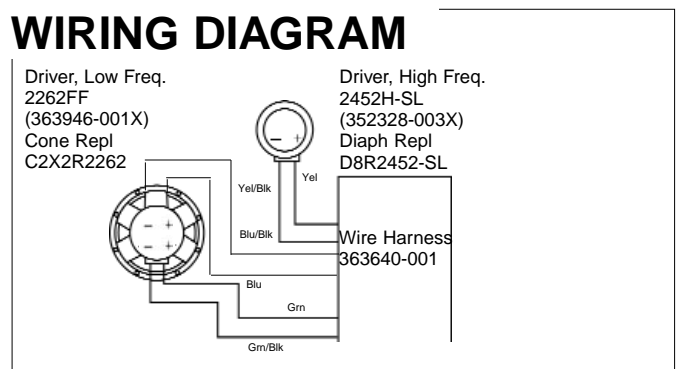
WARRANTY INFORMATION:

- Refer to Warranty Statement packed with each product.

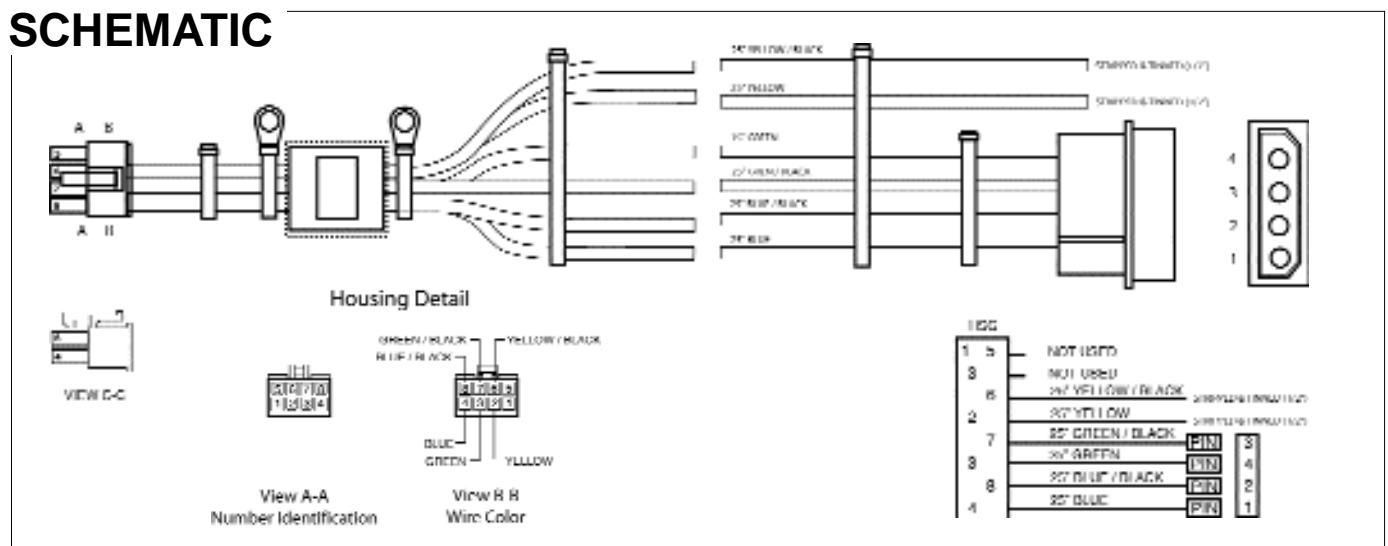
PACKAGE



WIRING DIAGRAM



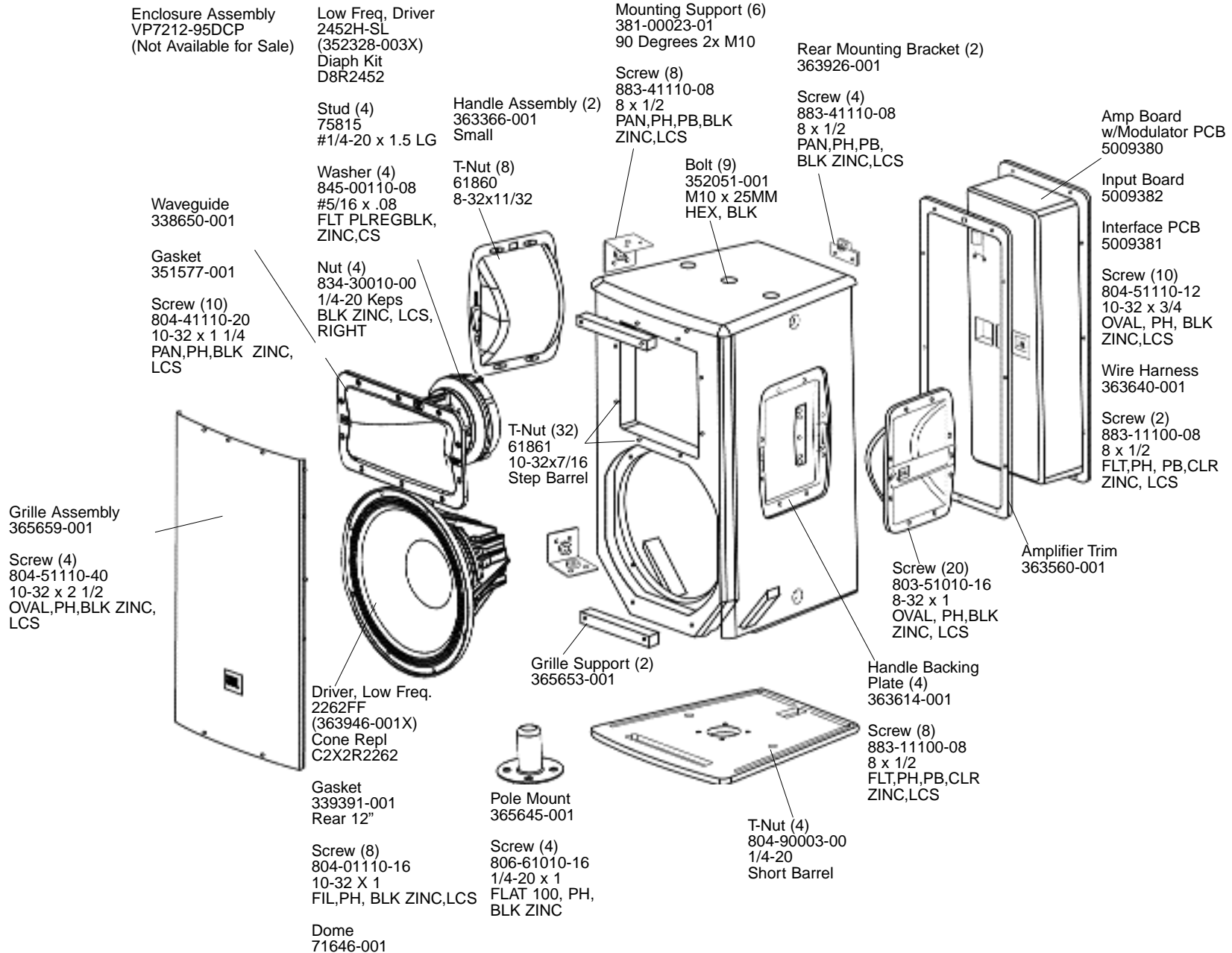
SCHEMATIC



JBL VP7210/95DPC REV C

JBL VP7212/95DPC

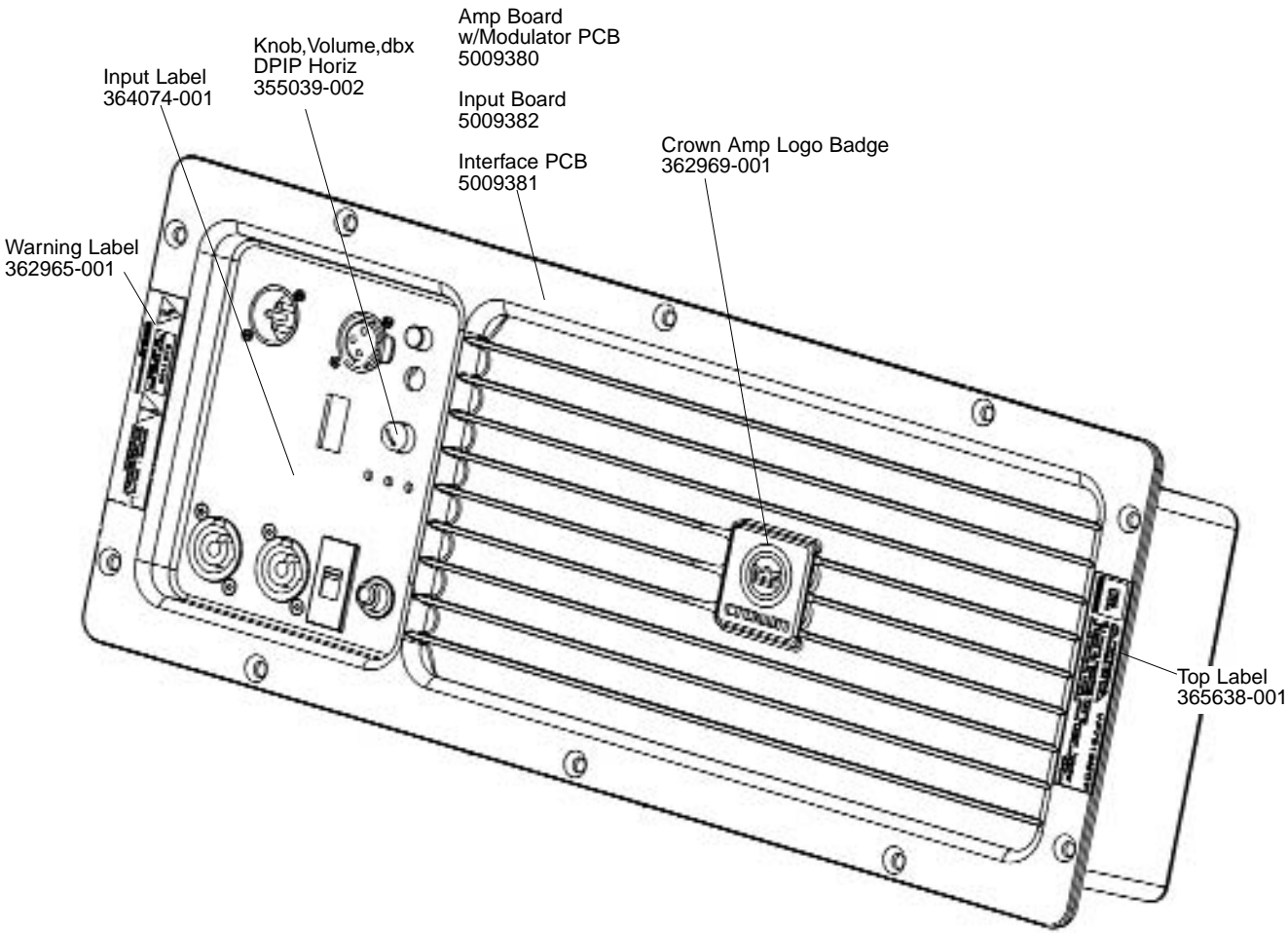
COMPONENT EXPLODED VIEW



JBL VP7212/95DPC

JBL VP7212/95DPC

AMPLIFIER ASSEMBLY 363679-006



JBL VP7212/95DPC