

# Technical Manual



# JBL VP7212/95DPAN/CN/DA SPECIFICATIONS

### ACOUSTIC & ELECTRICAL SPECIFICATIONS:

- Nominal Impedance: 4 Ohms
- Frequency Response: 63 Hz – 18 kHz (±3 dB)
- Frequency Range: 47 Hz – 20 kHz (-10 dB)
- Coverage Pattern: 90° x 50° rotatable waveguide
- Max. Peak Output: 136 dB SPL 1m

### TRANSDUCER SECTION:

- Cabinet: Enclosure (Not For Sale)
- Grille: 361743-001
- Low Frequency: 2262G, 304 mm (12 in) dia., 76 mm (3 in) Dual Coil neodymium Differential Drive, Direct Cooled,
- DC Resistance: 2.65 ohms ±10%
- High Frequency: 2452H-SL, 100 mm (4 in) titanium damped diaphragm, 1.5 in. exit,
- DC Resistance: 4.1 ohms ±8%
- Crossover Network 352817-001

### SYSTEM:

- DP2 Internal Amp Output: 2200W Peak, 1100W Continuous (at nominal load)
- DP2 Output: 750LF / 350HF Watts (Continuous IEC shaped pink noise into rated load impedance)
- DP2 Output Section: 2-Channel, Class I
- Audio Input Connector: XLR with loop-through
- Network Control Connector: Ethernet, RJ45

### SYSTEM CONT'D:

- Signal Processing: DSP based, resident in Input Module
- System Management: DSP based limiters for mechanical and thermal protection
- AC Power Oper. Range: Auto Select 90-132VAC/216-264VAC, 50/60 Hz
- AC Line Voltage: 50/60 Hz, Auto-Detect; 120V/240V (-15%, +10%)
- AC Input Connector: Neutrik PowerCon
- AC Loop-thru: Neutrik PowerCon
- AC Current Requirement: 6A per system at 120V, 3A per system at 240V

### AURAL SWEEP TEST SPECIFICATIONS:

- A. System Aural Sweep Test: 100mV Input, 20 Hz to 20 kHz
- B. L.F. Aural Sweep Test: 10.0V Input, 10 Hz to 300 Hz
- D. H.F. Aural Sweep Test: 3.5V Input, 300 Hz to 20 kHz

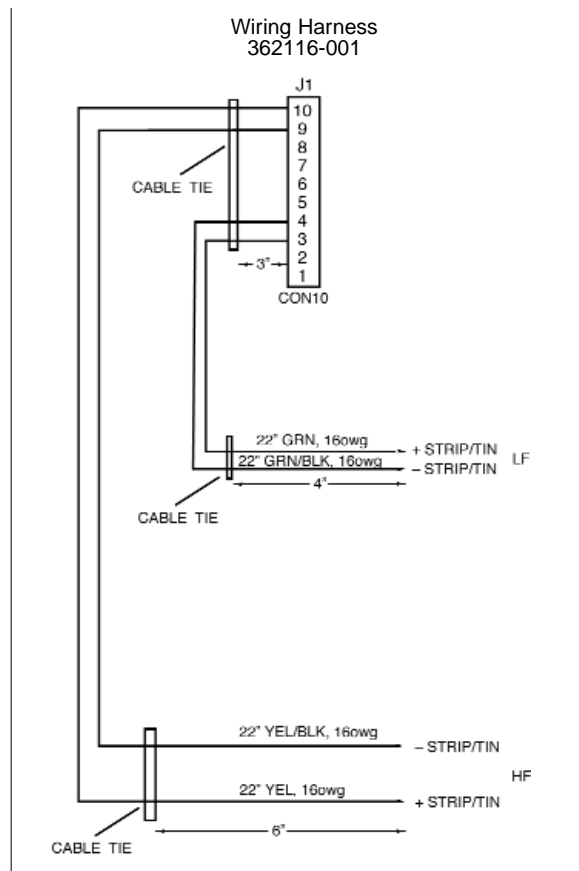
### PHYSICAL SPECIFICATIONS:

- Enclosure Dimensions: 701.8 mm x 383.8 mm x 523.5 mm D (27.63 in. x 15.11 in. x 20.61 in. D)
- Net Weight: 78 lbs. (35.4 kg.)

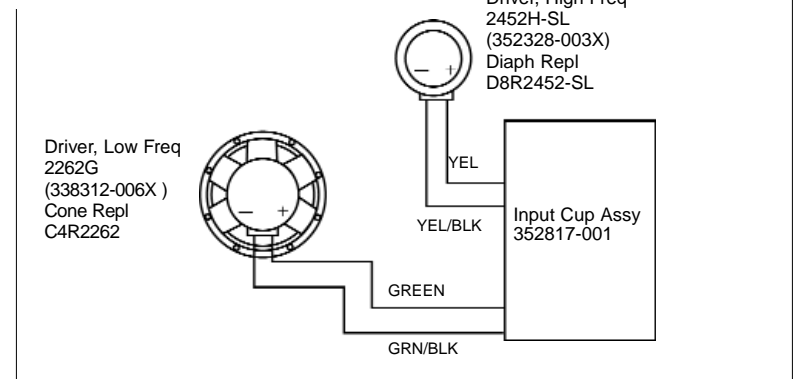
### WARRANTY INFORMATION:

- Refer to Warranty Statement packed with each product.

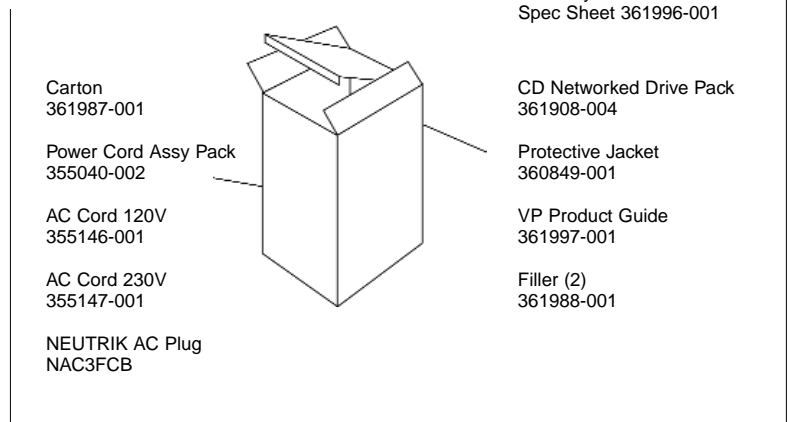
## WIRING HARNESS



## WIRING DIAGRAM



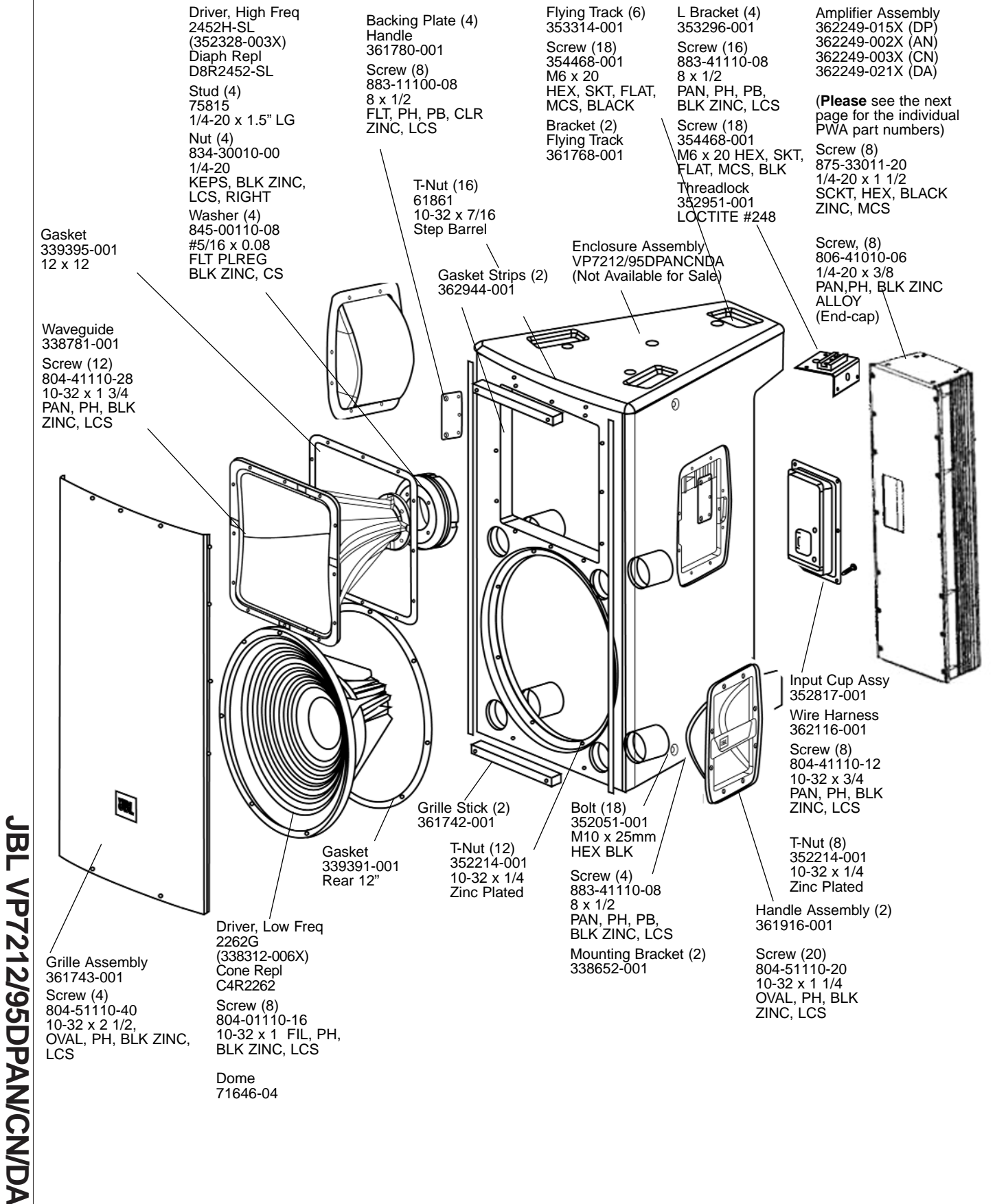
## PACKAGE



JBL VP7212/95DPAN/CN/DA REV M

# JBL VP7212/95DPAN/CN/DA

## COMPONENT EXPLODED VIEW



Driver, High Freq  
2452H-SL  
(352328-003X)  
Diaph Repl  
D8R2452-SL

Stud (4)  
75815  
1/4-20 x 1.5" LG

Nut (4)  
834-30010-00  
1/4-20  
KEPS, BLK ZINC,  
LCS, RIGHT

Washer (4)  
845-00110-08  
#5/16 x 0.08  
FLT PLREG  
BLK ZINC, CS

Backing Plate (4)  
Handle  
361780-001

Screw (8)  
883-11100-08  
8 x 1/2  
FLT, PH, PB, CLR  
ZINC, LCS

T-Nut (16)  
61861  
10-32 x 7/16  
Step Barrel

Flying Track (6)  
353314-001

Screw (18)  
354468-001  
M6 x 20  
HEX, SKT, FLAT,  
MCS, BLACK

Bracket (2)  
Flying Track  
361768-001

L Bracket (4)  
353296-001

Screw (16)  
883-41110-08  
8 x 1/2  
PAN, PH, PB,  
BLK ZINC, LCS

Screw (18)  
354468-001  
M6 x 20 HEX, SKT,  
FLAT, MCS, BLK

Threadlock  
352951-001  
LOCTITE #248

Amplifier Assembly  
362249-015X (DP)  
362249-002X (AN)  
362249-003X (CN)  
362249-021X (DA)

(Please see the next  
page for the individual  
PWA part numbers)

Screw (8)  
875-33011-20  
1/4-20 x 1 1/2  
SCKT, HEX, BLACK  
ZINC, MCS

Screw, (8)  
806-41010-06  
1/4-20 x 3/8  
PAN, PH, BLK ZINC  
ALLOY  
(End-cap)

Gasket  
339395-001  
12 x 12

Waveguide  
338781-001  
Screw (12)  
804-41110-28  
10-32 x 1 3/4  
PAN, PH, BLK  
ZINC, LCS

Gasket Strips (2)  
362944-001

Enclosure Assembly  
VP7212/95DPANCNDA  
(Not Available for Sale)

Input Cup Assy  
352817-001

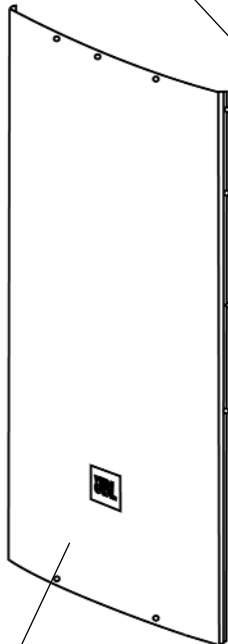
Wire Harness  
362116-001

Screw (8)  
804-41110-12  
10-32 x 3/4  
PAN, PH, BLK  
ZINC, LCS

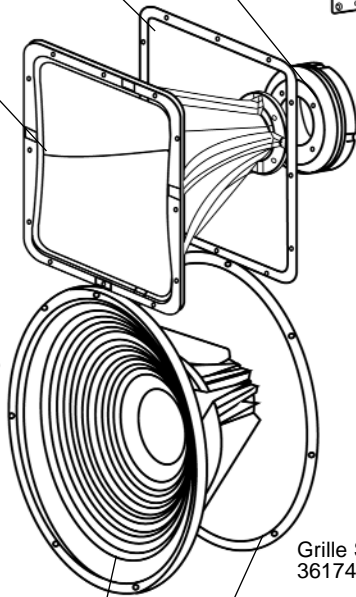
T-Nut (8)  
352214-001  
10-32 x 1/4  
Zinc Plated

Handle Assembly (2)  
361916-001

Screw (20)  
804-51110-20  
10-32 x 1 1/4  
OVAL, PH, BLK  
ZINC, LCS



Grille Assembly  
361743-001  
Screw (4)  
804-51110-40  
10-32 x 2 1/2,  
OVAL, PH, BLK ZINC,  
LCS



Driver, Low Freq  
2262G  
(338312-006X)  
Cone Repl  
C4R2262  
Screw (8)  
804-01110-16  
10-32 x 1 FIL, PH,  
BLK ZINC, LCS

Gasket  
339391-001  
Rear 12"

Grille Stick (2)  
361742-001

T-Nut (12)  
352214-001  
10-32 x 1/4  
Zinc Plated

Bolt (18)  
352051-001  
M10 x 25mm  
HEX BLK

Screw (4)  
883-41110-08  
8 x 1/2  
PAN, PH, PB,  
BLK ZINC, LCS

Mounting Bracket (2)  
338652-001

JBL VP7212/95DPAN/CN/DA

# DP2 AMPLIFIER ASSEMBLY REFERENCE

## AMPLIFIER ASSEMBLY 362249-001

### Amplifier Assemblies

**DP2**  
Note: Amplifier assembly includes the input module.

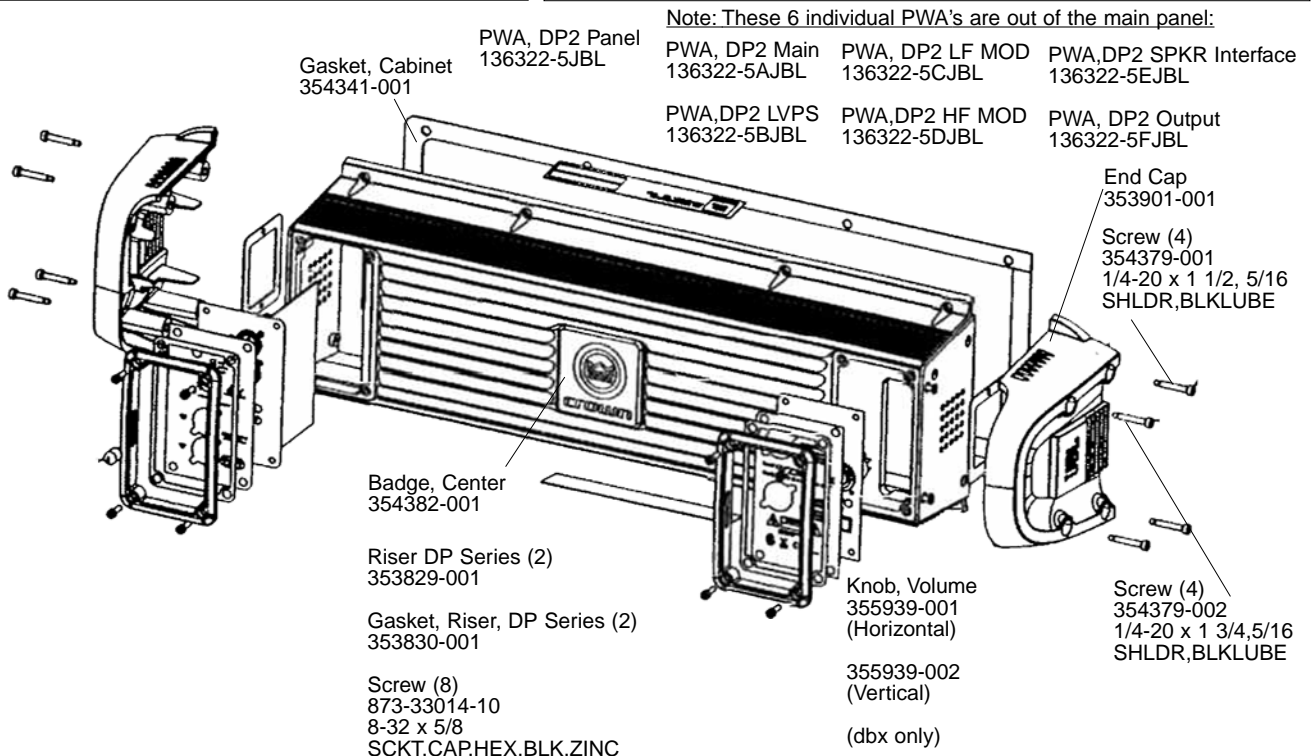
Part No.	Description
362249-001	Amp. Assembly, Base Model, VP/VT-Series
362249-002X	Amplifier Assembly, VP7212/95DPAN
362249-003X	Amplifier Assembly, VP7212/95DPCN
362249-004X	Amplifier Assembly, VP7212/64DPAN
362249-005X	Amplifier Assembly, VP7212/64DPCN
362249-006X	Amplifier Assembly, VP7215/95DPAN
362249-007X	Amplifier Assembly, VP7215/95DPCN
362249-008X	Amplifier Assembly, VP7215/64DPAN
362249-009X	Amplifier Assembly, VP7215/64DPCN
362249-010X	Amplifier Assembly, VP7315/64DPAN
362249-011X	Amplifier Assembly, VP7315/64DPCN
362249-012X	Amplifier Assembly, VT4887ADP
362249-013X	Amplifier Assembly, VT4887ADP-AN
362249-014X	Amplifier Assembly, VT4887ADP-CN
362249-015X	Amplifier Assembly, VP7212/95DP
362249-016X	Amplifier Assembly, VP7212/64DP
362249-017X	Amplifier Assembly, VP7215/95DP
362249-018X	Amplifier Assembly, VP7215/64DP
362249-019X	Amplifier Assembly, VP7315/64DP
362249-020X	Amplifier Assembly, VT4887ADP-DA
362249-021X	Amplifier Assembly, VP7212/95DPDA
362249-022X	Amplifier Assembly, VP7212/64DPDA
362249-023X	Amplifier Assembly, VP7215/95DPDA
362249-024X	Amplifier Assembly, VP7215/64DPDA
362249-025X	Amplifier Assembly, VP7315/64DPDA

### Input Modules

Note: If ordering an input module you must order 1 of the tuning files below depending on the system model number.

	DP-dbx Horizontal 364263-001X	DP-AN Horizontal 363372-001X	DP-CN Horizontal 363373--001X	DP-DA Horizontal 444668-001X
Model Numbers	Tuning File Part Numbers			
VP7212/95DP	364092-001	362342-001	362343-001	445131-001
VP7212/64DP	364093-001	362340-001	362341-001	445132-001
VP7215/95DP	364094-001	362347-001	362348-001	445133-001
VP7215/64DP	364095-001	362345-001	362346-001	445134-001
VP7315/64DP	364096-001	362349-001	362350-001	445135-001
DP-dbx 361541-001X	DP-AN 361092-001X	DP-CN 361093-001X	DP-DA 444668-001X	
Model Numbers	Tuning File Part Numbers			
VT4887ADP	363145-001	363455-001	363456-001	444804-001

DP2 AMPLIFIER ASSEMBLY REFERENCE



\*Note: end-caps are not required for or included with Venue Performance sales models.