

# Technical Manual



# JBL VP7212/64DPAN/CN/DA SPECIFICATIONS

## ACOUSTIC & ELECTRICAL SPECIFICATIONS:

- Nominal Impedance: 4 Ohms
- Frequency Response: 63 Hz – 18 kHz (±3 dB)
- Frequency Range: 47 Hz – 20 kHz (-10 dB)
- Coverage Pattern: 60° x 40° rotatable waveguide
- Max. Peak Output: 136 dB SPL 1m

## TRANSDUCER SECTION:

- Cabinet: Enclosure (Not For Sale)
- Grille: 361743-001
- Low Frequency: 2262G, 304 mm (12 in) dia., 76 mm (3 in) Dual Coil neodymium Differential Drive, Direct Cooled,
- DC Resistance: 2.65 ohms ±10%
- High Frequency: 2452H-SL, 100 mm (4 in) titanium damped diaphragm, 1.5 in. exit,
- DC Resistance: 4.1 ohms ±8%
- Crossover Network: 352817-001

## SYSTEM:

- DP2 Internal Amp Output: 2200W Peak, 1100W Continuous (at nominal load)
- DP2 Output: 750LF / 350HF Watts (Continuous IEC shaped pink noise into rated load impedance)
- DP2 Output Section: 2-Channel, Class I
- Audio Input Connector: XLR with loop-through
- Network Control Connector: Ethernet, RJ45

## SYSTEM CONT'D:

- Signal Processing: DSP based, resident in Input Module
- System Management: DSP based limiters for mechanical and thermal protection
- AC Power Oper. Range: Auto Select 90-132VAC/216-264VAC, 50/60 Hz
- AC Line Voltage: 50/60 Hz, Auto-Detect; 120V/240V (-15%, +10%)
- AC Input Connector: Neutrik PowerCon
- AC Loop-thru: Neutrik PowerCon
- AC Current Requirement: 6A per system at 120V, 3A per system at 240V

## AURAL SWEEP TEST SPECIFICATIONS:

- A. System Aural Sweep Test: 100mV Input, 20 Hz to 20 kHz
- B. L.F. Aural Sweep Test: 10.0V Input, 10 Hz to 300 Hz
- D. H.F. Aural Sweep Test: 3.5V Input, 300 Hz to 20 kHz

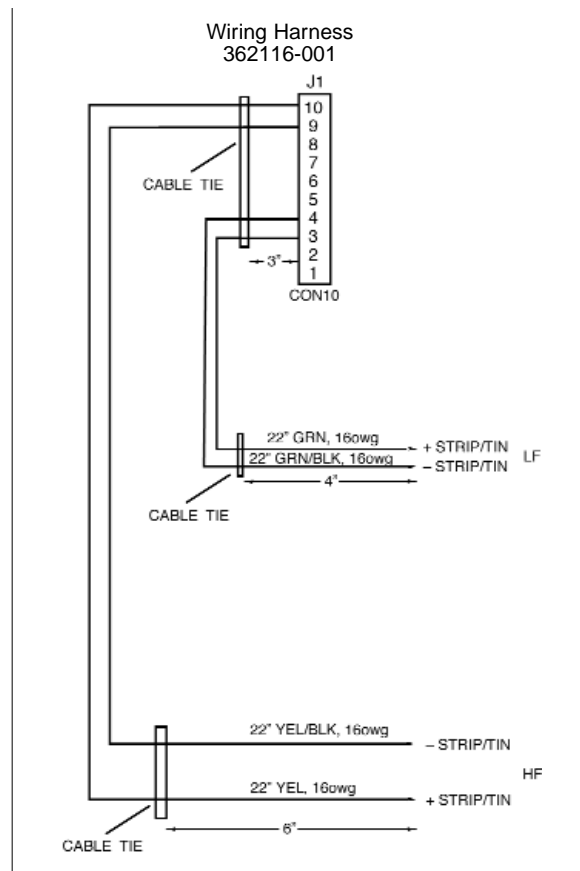
## PHYSICAL SPECIFICATIONS:

- Enclosure Dimensions: 701.8 mm x 383.8 mm x 523.5 mm D (27.63 in. x 15.11 in. x 20.61 in. D)
- Net Weight: 78 lb (35.4 kg.)

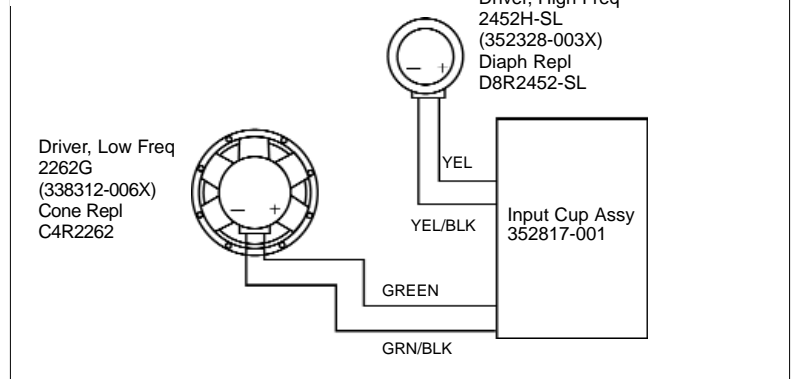
## WARRANTY INFORMATION:

- Refer to Warranty Statement packed with each product.

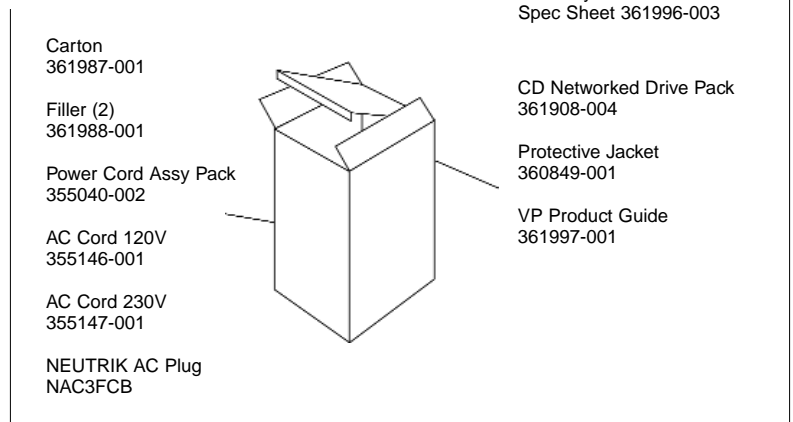
## WIRING HARNESS



## WIRING DIAGRAM



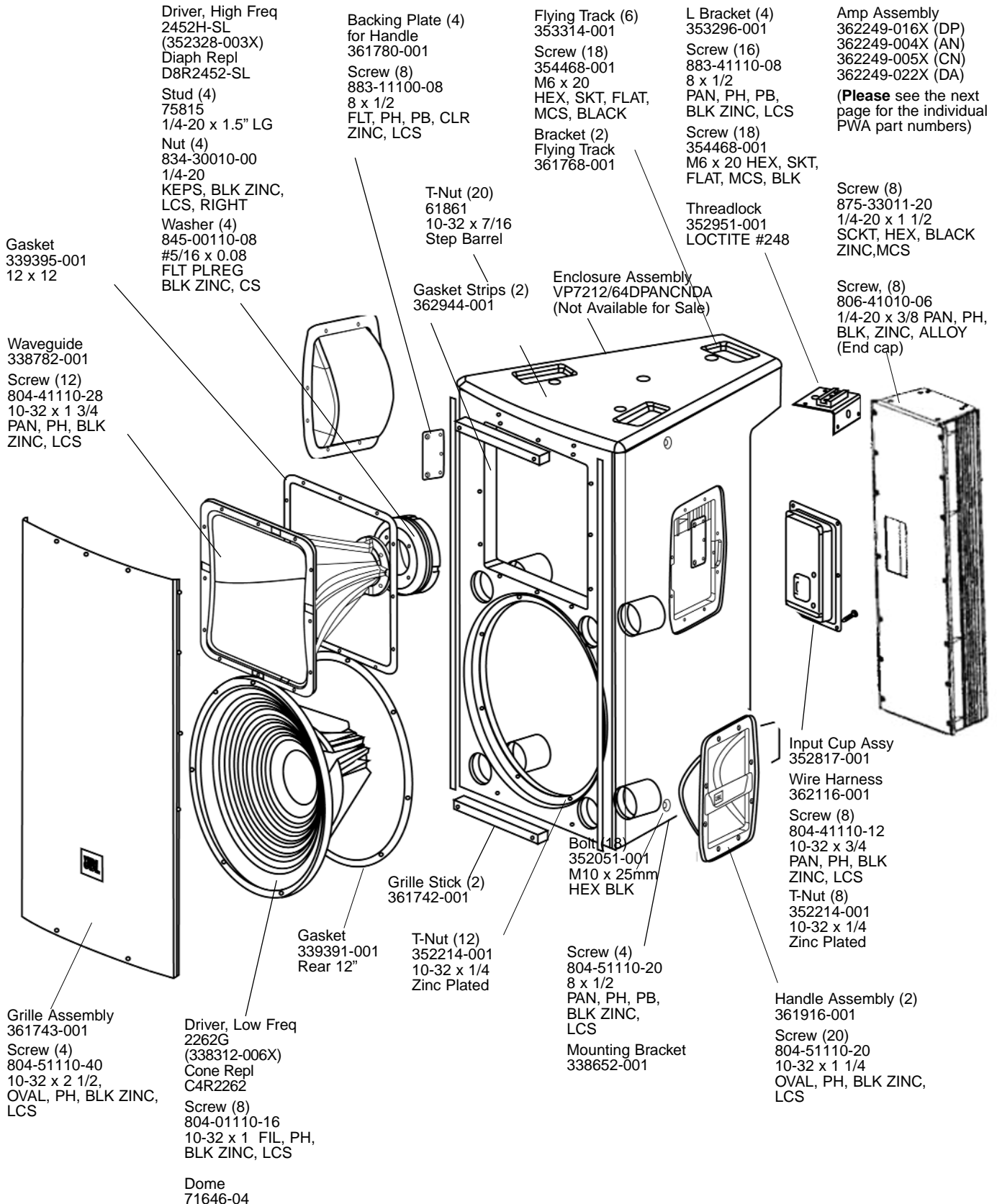
## PACKAGE



JBL VP7212/64DPAN/CN/DA REV N

# JBL VP7212/64DPAN/CN/DA

## COMPONENT EXPLODED VIEW



JBL VP7212/64DPAN/CN/DA

# DP2 AMPLIFIER ASSEMBLY REFERENCE

## AMPLIFIER ASSEMBLY 362249-001

### Amplifier Assemblies

**DP2**

Note: Amplifier assembly includes the input module.

Part No.	Description
<a href="#">362249-001</a>	<a href="#">Amp. Assembly, Base Model, VP/VT-Series</a>
<a href="#">362249-002X</a>	<a href="#">Amplifier Assembly, VP7212/95DPAN</a>
<a href="#">362249-003X</a>	<a href="#">Amplifier Assembly, VP7212/95DPCN</a>
<a href="#">362249-004X</a>	<a href="#">Amplifier Assembly, VP7212/64DPAN</a>
<a href="#">362249-005X</a>	<a href="#">Amplifier Assembly, VP7212/64DPCN</a>
<a href="#">362249-006X</a>	<a href="#">Amplifier Assembly, VP7215/95DPAN</a>
<a href="#">362249-007X</a>	<a href="#">Amplifier Assembly, VP7215/95DPCN</a>
<a href="#">362249-008X</a>	<a href="#">Amplifier Assembly, VP7215/64DPAN</a>
<a href="#">362249-009X</a>	<a href="#">Amplifier Assembly, VP7215/64DPCN</a>
<a href="#">362249-010X</a>	<a href="#">Amplifier Assembly, VP7315/64DPAN</a>
<a href="#">362249-011X</a>	<a href="#">Amplifier Assembly, VP7315/64DPCN</a>
<a href="#">362249-012X</a>	<a href="#">Amplifier Assembly, VT4887ADP</a>
<a href="#">362249-013X</a>	<a href="#">Amplifier Assembly, VT4887ADP-AN</a>
<a href="#">362249-014X</a>	<a href="#">Amplifier Assembly, VT4887ADP-CN</a>
<a href="#">362249-015X</a>	<a href="#">Amplifier Assembly, VP7212/95DP</a>
<a href="#">362249-016X</a>	<a href="#">Amplifier Assembly, VP7212/64DP</a>
<a href="#">362249-017X</a>	<a href="#">Amplifier Assembly, VP7215/95DP</a>
<a href="#">362249-018X</a>	<a href="#">Amplifier Assembly, VP7215/64DP</a>
<a href="#">362249-019X</a>	<a href="#">Amplifier Assembly, VP7315/64DP</a>
<a href="#">362249-020X</a>	<a href="#">Amplifier Assembly, VT4887ADP-DA</a>
<a href="#">362249-021X</a>	<a href="#">Amplifier Assembly, VP7212/95DPDA</a>
<a href="#">362249-022X</a>	<a href="#">Amplifier Assembly, VP7212/64DPDA</a>
<a href="#">362249-023X</a>	<a href="#">Amplifier Assembly, VP7215/95DPDA</a>
<a href="#">362249-024X</a>	<a href="#">Amplifier Assembly, VP7215/64DPDA</a>
<a href="#">362249-025X</a>	<a href="#">Amplifier Assembly, VP7315/64DPDA</a>

### Input Modules

Note: If ordering an input module you must order 1 of the tuning files below depending on the system model number.

	DP-dbx Horizontal 364263-001X	DP-AN Horizontal 363372-001X	DP-CN Horizontal 363373--001X	DP-DA Horizontal 444668-001X
Model Numbers				
VP7212/95DP	<a href="#">364092-001</a>	<a href="#">362342-001</a>	<a href="#">362343-001</a>	<a href="#">445131-001</a>
VP7212/64DP	<a href="#">364093-001</a>	<a href="#">362340-001</a>	<a href="#">362341-001</a>	<a href="#">445132-001</a>
VP7215/95DP	<a href="#">364094-001</a>	<a href="#">362347-001</a>	<a href="#">362348-001</a>	<a href="#">445133-001</a>
VP7215/64DP	<a href="#">364095-001</a>	<a href="#">362345-001</a>	<a href="#">362346-001</a>	<a href="#">445134-001</a>
VP7315/64DP	<a href="#">364096-001</a>	<a href="#">362349-001</a>	<a href="#">362350-001</a>	<a href="#">445135-001</a>
	DP-dbx 361541-001X	DP-AN 361092-001X	DP-CN 361093-001X	DP-DA 444668-001X
Model Numbers				
VT4887ADP	<a href="#">363145-001</a>	<a href="#">363455-001</a>	<a href="#">363456-001</a>	<a href="#">444804-001</a>

DP2 AMPLIFIER ASSEMBLY REFERENCE

