

Technical Manual



JBL VP7212/64DPAN/CN

SPECIFICATIONS

ACOUSTIC & ELECTRICAL SPECIFICATIONS:

- Nominal Impedance: 4 ohms
- Frequency Response: 63 Hz – 18 kHz (±3 dB)
- Frequency Range: 47 Hz – 20 kHz (-10 dB)
- Coverage Pattern: 60° x 40° rotatable waveguide
- Max. Peak Output: 136 dB SPL 1m

TRANSDUCER SECTION:

- Cabinet: (Not For Sale)
- Grille: 361743-001
- Low Frequency: JBL 2262G, 304 mm (12 in) dia., 76 mm (3 in) Dual Coil neodymium Differential Drive, Direct Cooled,
- DC Resistance: 2.65 ohms ±10%
- High Frequency: JBL 2452H-SL, 100 mm (4 in) titanium damped diaphragm, 1.5 in. exit,
- DC Resistance: 4.1 ohms ±8%
- Crossover Network 352817-001

SYSTEM:

- DP2 Internal Amp Output: 2200 Watts Peak, 1100 Watts Continuous (at nominal load)
- DP2 Output: 750LF / 350HF Watts (Continuous IEC shaped pink noise into rated load impedance)
- DP2 Output Section: 2-Channel, Class I
- Audio Input Connector: XLR with loop-through
- Network Control Connector: Ethernet, RJ45

SYSTEM CONT'D:

- Signal Processing: DSP based, resident in Input Module
- System Management: DSP based limiters for mechanical and thermal protection
- AC Power Oper. Range: Auto Select 90-132VAC/216-264VAC, 50/60 Hz
- AC Line Voltage: 50/60 Hz, Auto-Detect; 120V/240V (-15%, +10%)
- AC Input Connector: Neutrik PowerCon
- AC Loop-thru: Neutrik PowerCon
- AC Current Requirement: 6A per system at 120V, 3A per system at 240V

AURAL SWEEP TEST SPECIFICATIONS:

- A. System Aural Sweep Test: 100mV Input, 20 Hz to 20 kHz
- B. L.F. Aural Sweep Test: 10.0V Input, 10 Hz to 300 Hz
- D. H.F. Aural Sweep Test: 3.5V Input, 300 Hz to 20 kHz

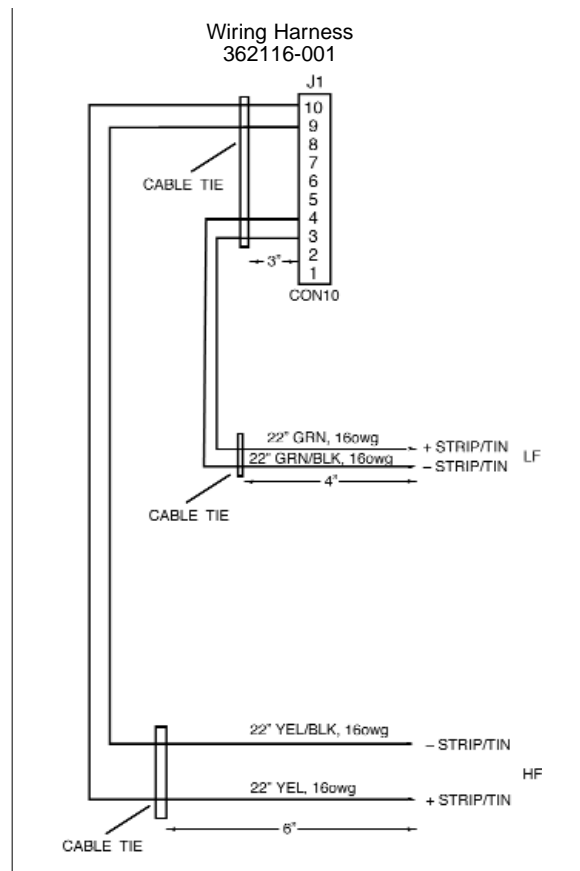
PHYSICAL SPECIFICATIONS:

- Enclosure Dimensions: 701.8 mm x 383.8 mm x 523.5 mm D (27.63 in. x 15.11 in. x 20.61 in. D)
- Net Weight: 78 lbs. (35.4 kg.)

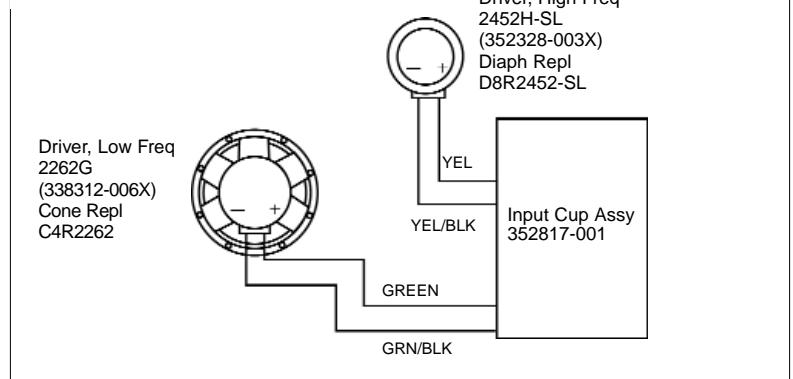
WARRANTY INFORMATION:

- Refer to Warranty Statement packed with each product.

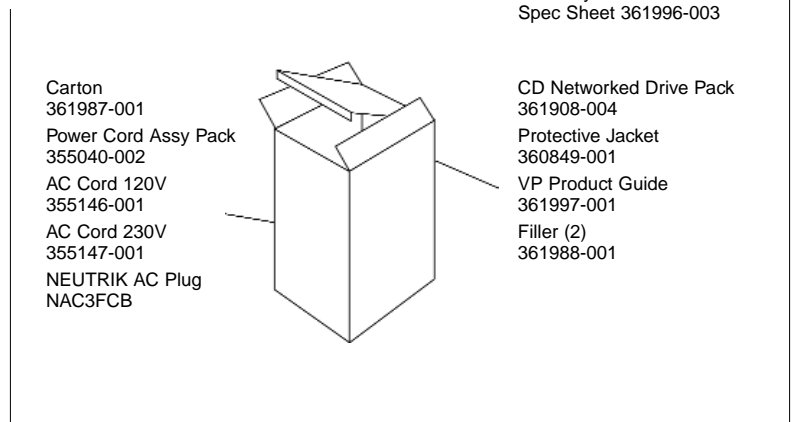
WIRING HARNESS



WIRING DIAGRAM



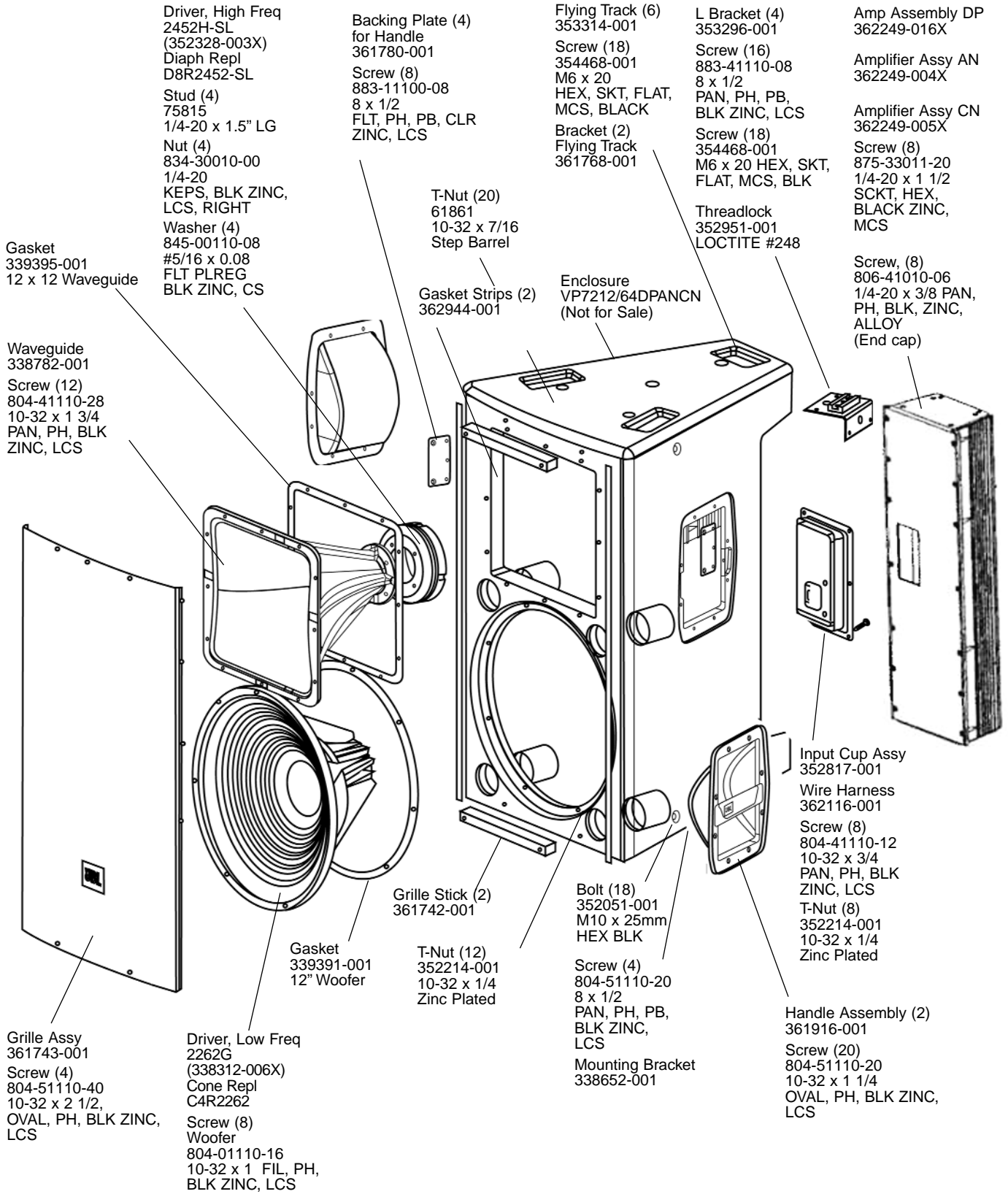
PACKAGE



JBL VP7212/64DPAN/CN REV K

JBL VP7212/64DPAN/CN

COMPONENT EXPLODED VIEW



JBL VP7212/64DPAN/CN

DP2 AMPLIFIER ASSEMBLY REFERENCE

AMPLIFIER ASSEMBLY 362249-001

Amplifier Assemblies

DP2	
Note: Amplifier assembly includes the input module.	
Part No.	Description
362249-001	Amp. Assembly, Base Model, VP/VT-Series
362249-002X	Amplifier Assembly, VP7212/95DPAN
362249-003X	Amplifier Assembly, VP7212/95DPCN
362249-004X	Amplifier Assembly, VP7212/64DPAN
362249-005X	Amplifier Assembly, VP7212/64DPCN
362249-006X	Amplifier Assembly, VP7215/95DPAN
362249-007X	Amplifier Assembly, VP7215/95DPCN
362249-008X	Amplifier Assembly, VP7215/64DPAN
362249-009X	Amplifier Assembly, VP7215/64DPCN
362249-010X	Amplifier Assembly, VP7315/64DPAN
362249-011X	Amplifier Assembly, VP7315/64DPCN
362249-012X	Amplifier Assembly, VT4887ADP
362249-013X	Amplifier Assembly, VT4887ADP-AN
362249-014X	Amplifier Assembly, VT4887ADP-CN
362249-015X	Amplifier Assembly, VP7212/95DP
362249-016X	Amplifier Assembly, VP7212/64DP
362249-017X	Amplifier Assembly, VP7215/95DP
362249-018X	Amplifier Assembly, VP7215/64DP
362249-019X	Amplifier Assembly, VP7315/64DP

Input Modules

Note: If ordering an input module you must order 1 of the tuning files below depending on the system model number.			
	DP-dbx Horizontal 364263-001X	DP-AN Horizontal 363372-001X	DP-CN Horizontal 363373--001X
Model Numbers	Tuning File Part Numbers		
VP7212/95DP	364092-001	362342-001	362343-001
VP7212/64DP	364093-001	362340-001	362341-001
VP7215/95DP	364094-001	362347-001	362348-001
VP7215/64DP	364095-001	362345-001	362346-001
VP7315/64DP	364096-001	362349-001	362350-001
	DP-dbx 361541-001X	DP-AN 361092-001X	DP-CN 361093-001X
Model Numbers	Tuning File Part Numbers		
VT4887ADP	363145-001	363455-001	363456-001

DP2 AMPLIFIER ASSEMBLY REFERENCE

