

# Technical Manual

# JBL/UREI 815C L,R TIME ALIGN STUDIO MONITOR



## SPECIFICATIONS

### ACOUSTIC & ELECTRICAL SPECIFICATIONS:

- Nominal Impedance: 8 ohm
- Power Rating: 150W 40Hz to 20kHz with Pink Noise
- Frequency Response: 40 Hz to 17.5 kHz ( $\pm 3$ dB)
- Sensitivity: 103 dB SPL\*
- Crossover Frequencies: N/A

### SYSTEM COMPONENTS:

- Cabinet: 25-15287 Left and Right
- Grille: 815CG
- Low Frequency Transducer: 380mm (15 in.) Co-axial Transducer (45-0113)
- DC Resistance: 5.8 ohm  $\pm 10\%$  Copper Wire
- Low Frequency Transducer: 380mm (15 in.) Subwoofer (2215H) (2)
- DC Resistance: 5.8 ohm  $\pm 10\%$  Copper Wire

\*1 Watt (2.83 V RMS) @ 1 Meter

### SYSTEM COMPONENTS: (cont'd)

- High Frequency Transducer: 25mm (1 in.) Pure Titanium Compression Driver (2425HS)
- DC Resistance: 3.2 ohm  $\pm 8\%$  Aluminum Wire
- Crossover Network: 845

### AURAL SWEEP TEST SPECIFICATIONS:

- A. System Aural Sweep Test: 7.0V Input, 20 Hz to 20 kHz
- B. L.F. Aural Sweep Test: 7.0V Input, 20 Hz to 1.2 kHz
- C. H.F. Aural Sweep Test: 2.83V Input, 550 Hz to 1.2 kHz

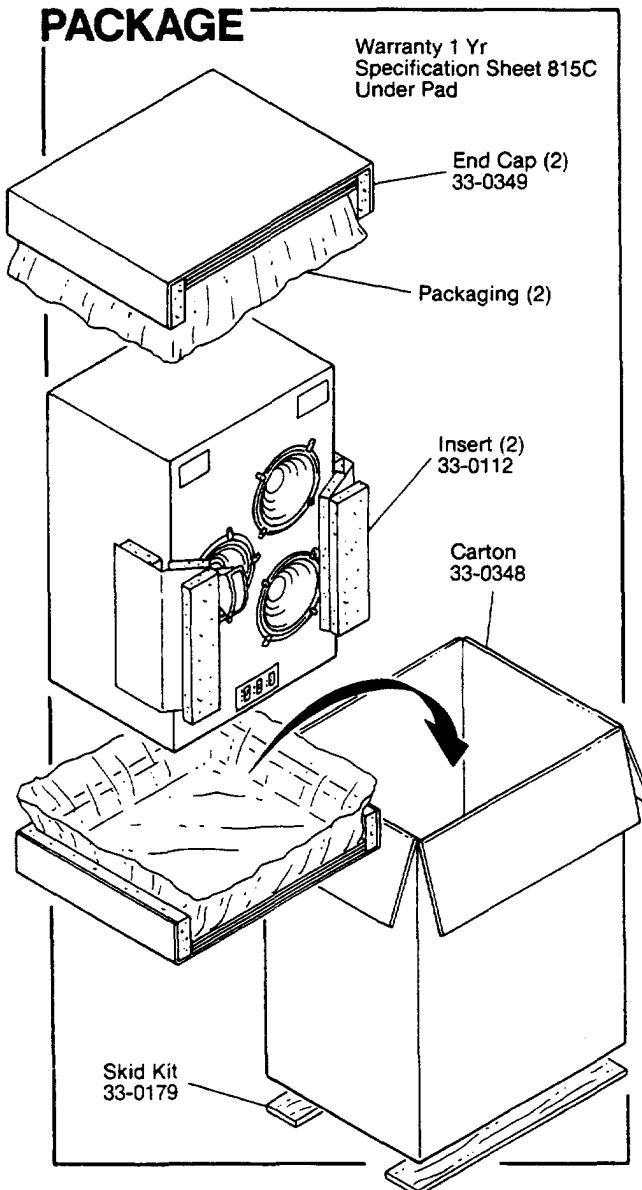
### PHYSICAL SPECIFICATIONS:

- Enclosure Dimensions: 813mm x 1105mm x 533mm D (32.0 x 43.5 x 21.0 in. D)
- Shipping Weight: 260 lbs. (118 kg)

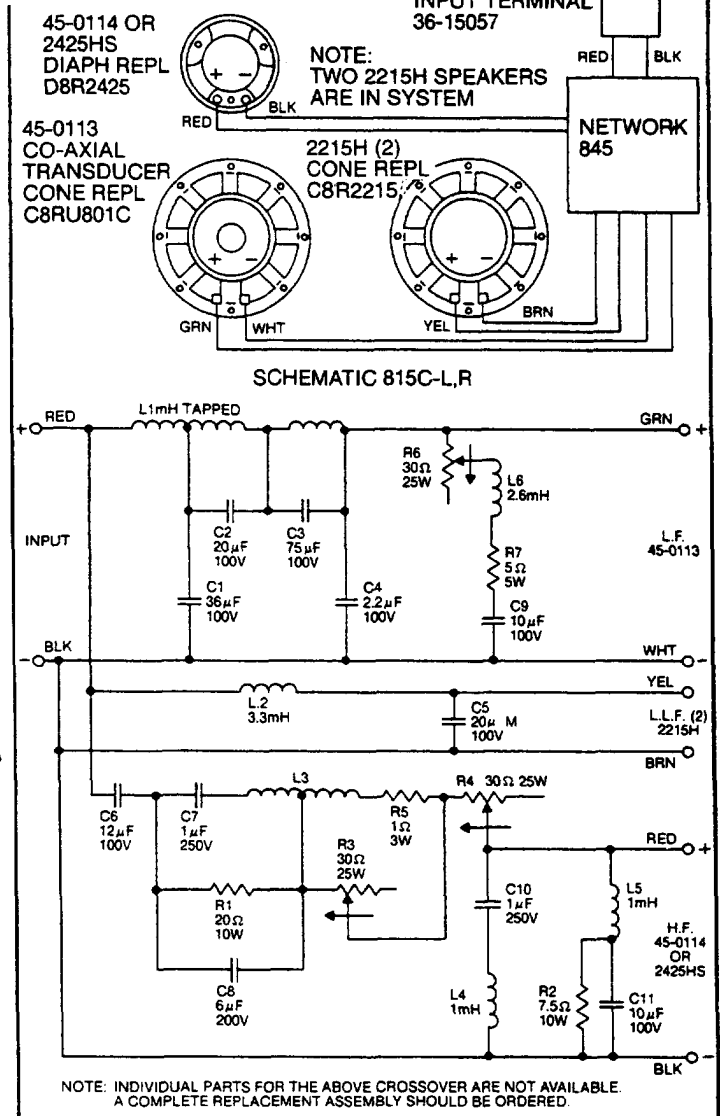
### WARRANTY INFORMATION:

- Refer to the Warranty Statement packed with each product.

## PACKAGE



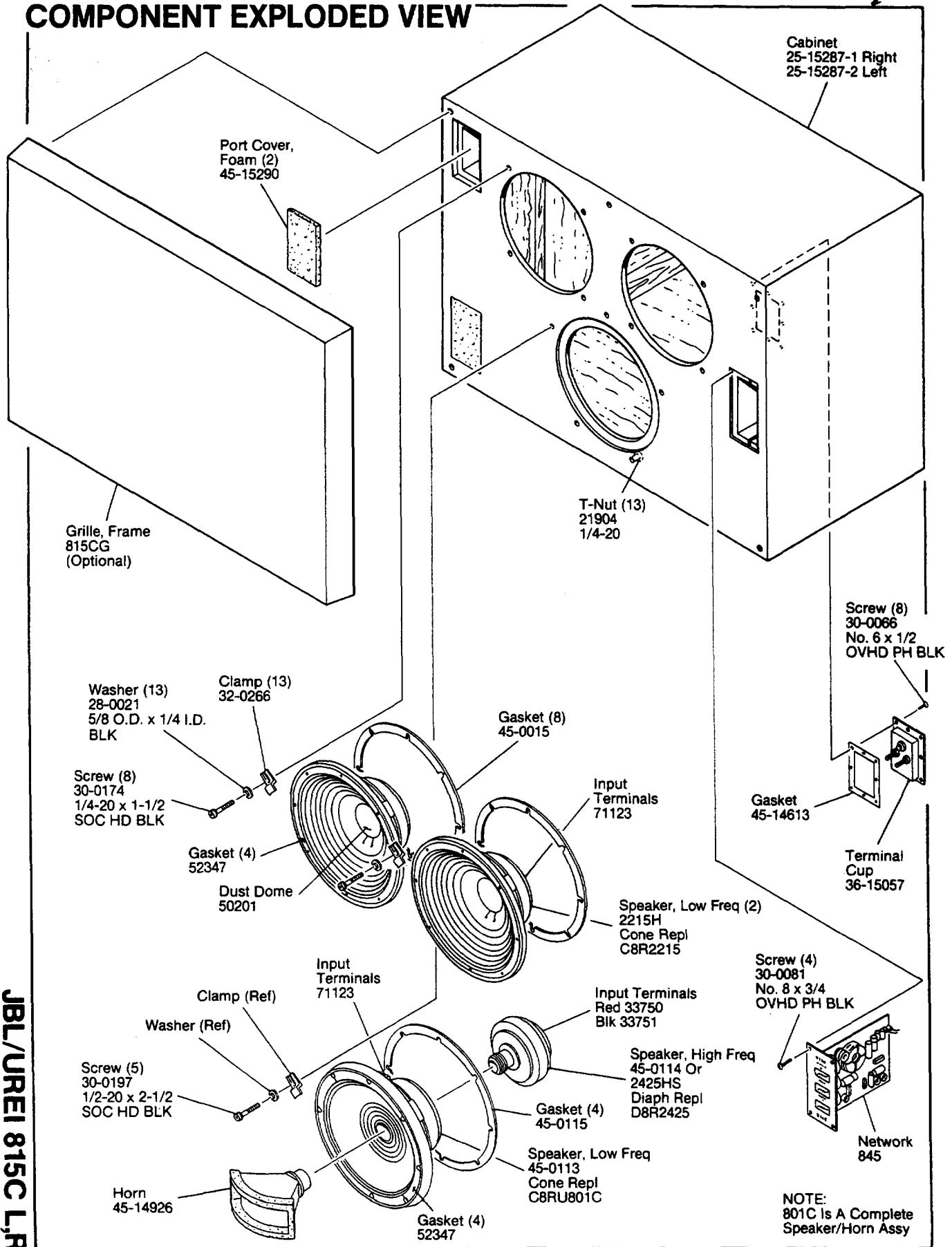
## WIRING DIAGRAM



JBL/UREI 815C L,R REV B

# JBL/UREI 815C L,R

## COMPONENT EXPLODED VIEW



JBL/UREI 815C L,R