

# Technical Manual

# JBL/UREI 809A L,R

# TIME ALIGN STUDIO MONITOR



## SPECIFICATIONS

### ACOUSTIC & ELECTRICAL SPECIFICATIONS:

- Nominal Impedance: 8 ohm
- Power Rating: 100W
- Frequency Response: 50 Hz to 17.5 kHz ( $\pm 3\text{dB}$ )
- Sensitivity: 93 dB SPL\*
- Crossover Frequencies: 1800 Hz

### SYSTEM COMPONENTS:

- Cabinet: 25-14608 Left and Right
- Grille: 809GA
- Low Frequency Transducer: 300mm (12 in.) Co-axial Transducer (803)
- DC Resistance: 4.8 ohm  $\pm 10\%$  Copper Wire

### SYSTEM COMPONENTS: (cont'd)

- High Frequency Transducer: 25mm (1 in.) Pure Titanium Compression Driver (2416H-1)
- DC Resistance: 3.2 ohm  $\pm 8\%$  Aluminum Wire
- Crossover Network: 842

### AURAL SWEEP TEST SPECIFICATIONS:

- A. System Aural Sweep Test: 7.0V Input, 20 Hz to 20 kHz
- B. L.F. Aural Sweep Test: 7.0V Input, 20 Hz to 1.2 kHz
- C. H.F. Aural Sweep Test: 2.83V Input, 550 Hz to 1.2 kHz

### PHYSICAL SPECIFICATIONS:

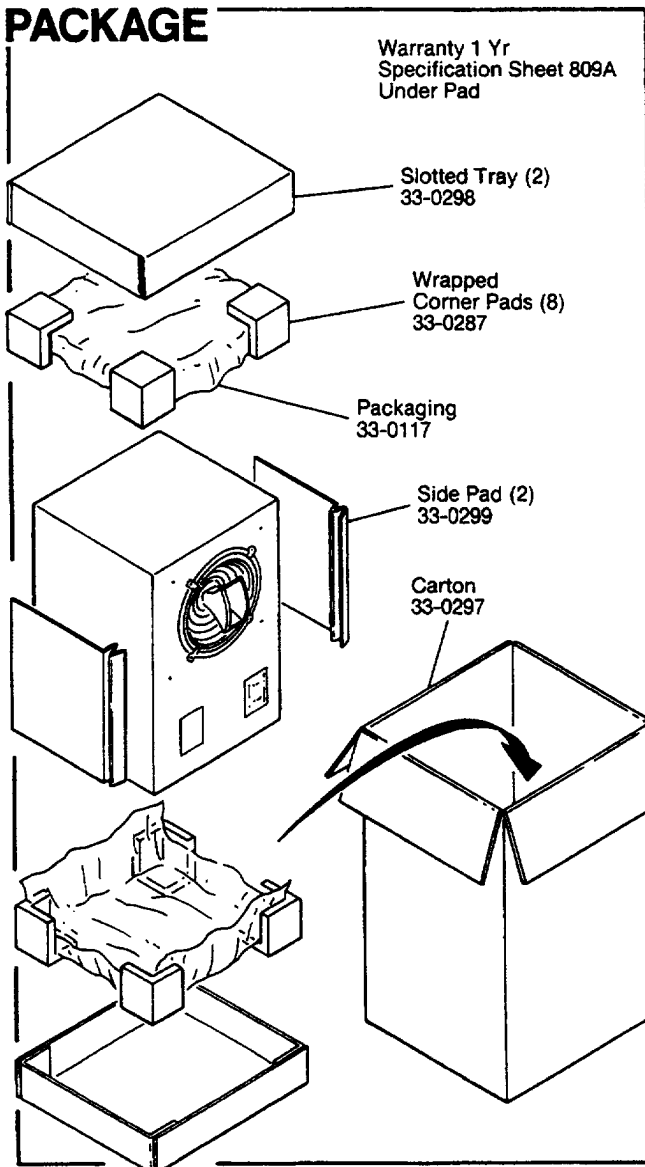
- Enclosure Dimensions: 584mm x 419mm x 343mm D (23.0 x 16.5 x 13.5 in. D)
- Shipping Weight: 75 lbs. (34 kg)

### WARRANTY INFORMATION:

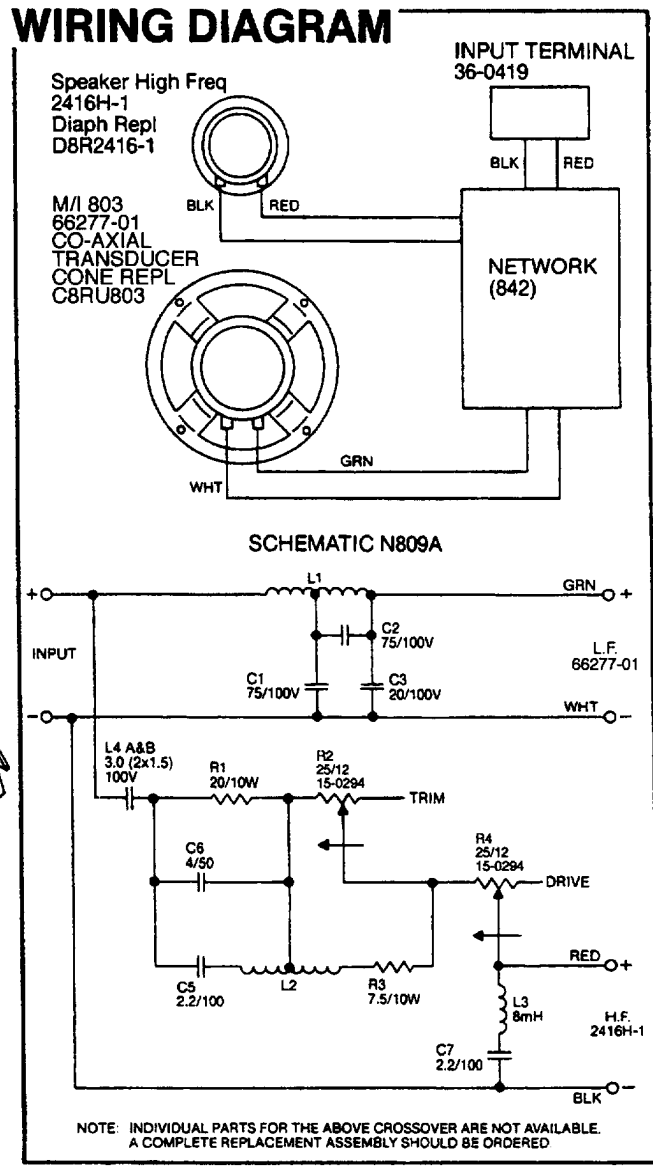
- Refer to the Warranty Statement packed with each product.

\*1 Watt (2.83 V RMS) @ 1 Meter

## PACKAGE



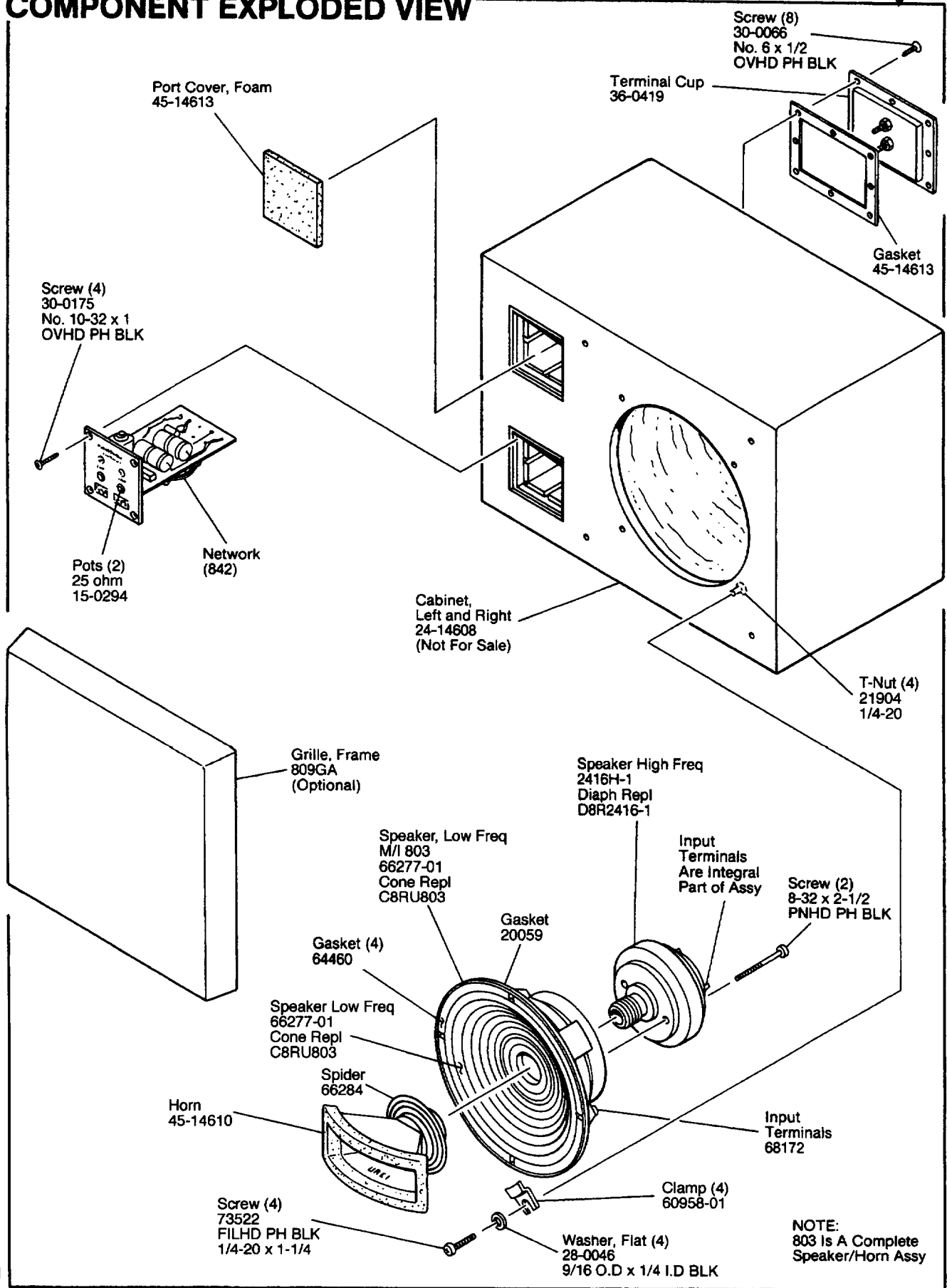
## WIRING DIAGRAM



JBL/UREI 809A L,R REV D

# JBL/UREI 809A L,R

## COMPONENT EXPLODED VIEW



JBL/UREI 809A L,R