

Technical Manual.

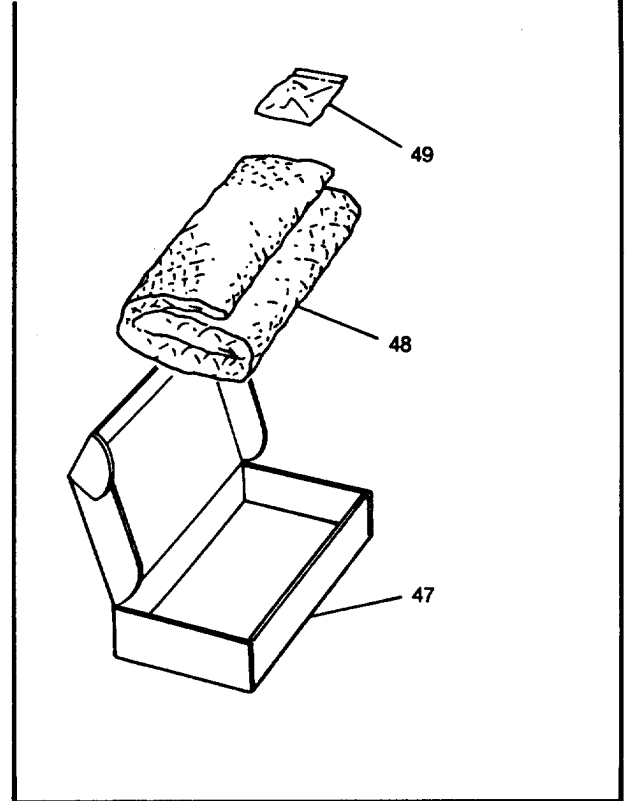
UREI COMP1 COMPRESSOR EXPANDER



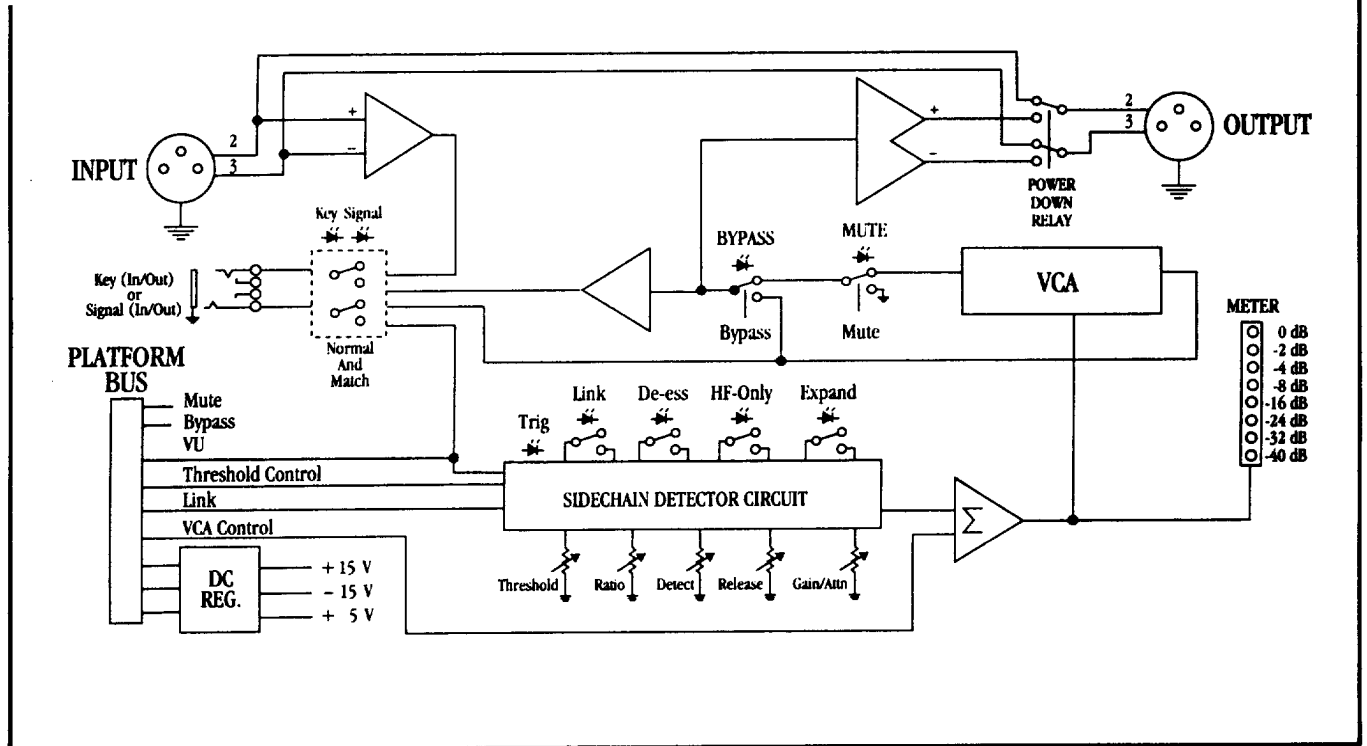
SPECIFICATIONS

- Input: Balanced
- Input Impedance: > 20k ohms
- Detector Input Impedance: 100k ohms balanced input, 50k ohms unbalanced
- Maximum Input Level: +20 dB
- Frequency Response: 20 Hz to 20 kHz ± 0.5 dB
- Threshold of Compression: -40 to +12 dBu
- Compression Ratio: 1:1, to ∞ :1, to 1:-1
- Detection Mode/ Response Time: 0.1 to 1.0 ms/dB
- Peak Reading: 2, 20, 200 ms/dB, 2 sec/dB
- RMS Reading: 1 to 200 ms/dB
- Release Time: -20 to +20 dB
- Gain After Compression: 0 to -30 dB
- Expansion Gain: High-pass, shelving
- De-ess (sidechain) Filter Type: Dynamic Low-pass, shelving
- HF Only Audio Filter Type: Balanced
- Output: +20 dB into 600 ohms
- Maximum Output Level: >110 dB
- Dynamic Range: <0.006% typ., 0.02% max. (0 dBu input @ 1 kHz)
- Total Harmonic Distortion: User adjustable potentiometers for threshold, ratio, detection characteristic, release time, gain/attenuation. Pushbuttons for de-essing filter, dynamic low-pass audio filter, expander mode, linking module to others, and bypass. Rear-panel screwdriver-accessible switch for phone jack programming.
- Controls: 8-segment LED VCA level display. LED indicators for de-ess filter, audio filter, triggering, mute, expander mode, link, and bypass. Rear-panel LED indicators for status of phone jack (key send return or signal input/output). Mute, VCA Volume, Trigger transmit upon over-threshold, Threshold level, Audio VU level, Bypass
- Indicators:
- Computer Control or Monitoring:
- Connectors:
 - Input and Output: XLR-type 3 pin (pin 2 high)
 - Key Insert or Signal In/Out: 6.3mm (1/4 in.) phone jack
- Front Panel Dimensions: 31 x 132mm (1-3/16 x 5-1/8 in.)
- Finish: Black anodized
- Required Equipment: UREI Platform RACK1

PACKAGE



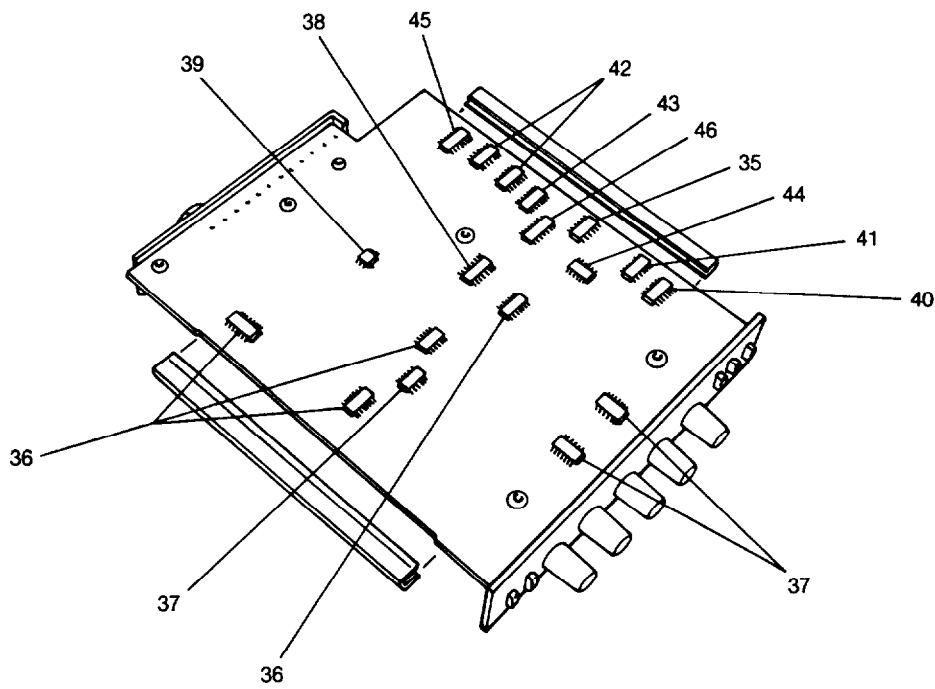
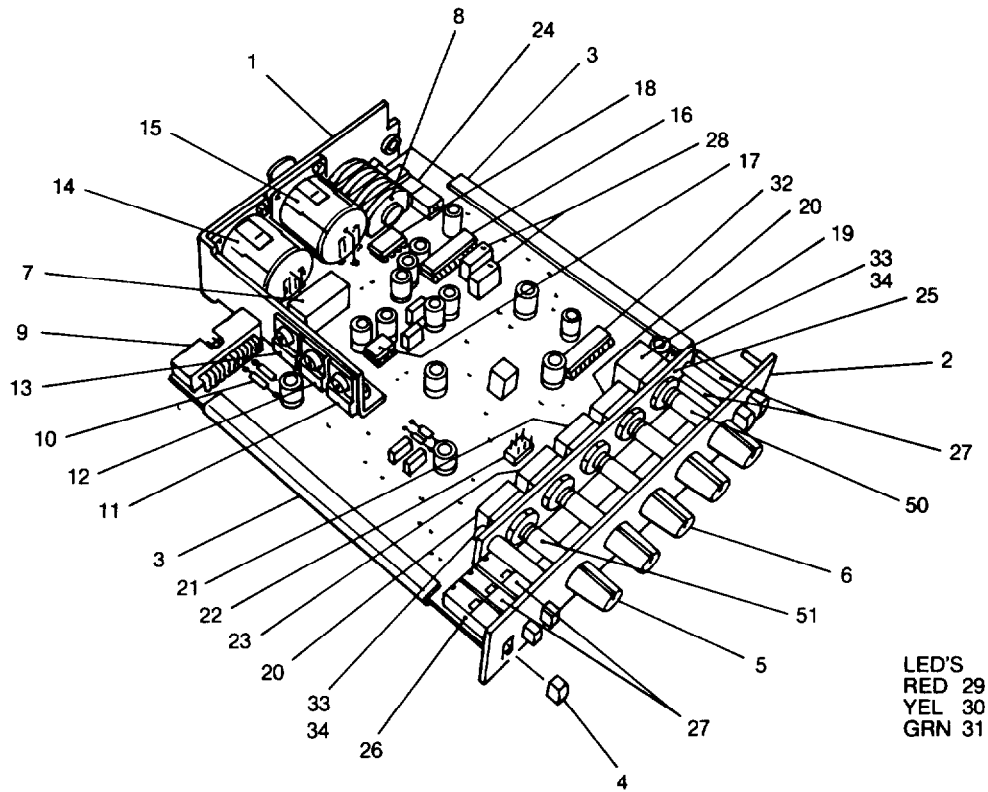
BLOCK DIAGRAM



UREI COMP1 REV B

UREI COMP1

COMPONENT EXPLODED VIEW



COMPONENT PARTS LIST

UREI COMP1

	Part Number	Qty	Description	Ref. Des.
1	771004	1	Back Panel, COMP1/GATE1	
2	771003	1	Front Panel, COMP1	
3	770200	2	Module Protector	
4	790010	5	UREI Push Button, blk	
5	790002	2	Knob, UREI, blue line	
6	790001	3	Knob, UREI, white line	
7	705009	1	Relay, DPDT, 9V, DIP	RL1
8	720001	1	Jack, 1/4" St, PC mt	CON301
9	722220	1	IDC20, Male, Rt Angle	CON1
10	005010	3	Axial Fuse Resistor, 10R	F1, F2, F3
11	647805	1	IC, LM7805, TO220	IC903
12	647915	1	IC, LM7915, TO220	IC902
13	647815	1	IC, LM7815, TO220	IC901
14	720022	1	XLR M, PC mt, Rt angle	CON701
15	720021	1	XLR F, PC mt, Rt angle	CON101
16	623018	1	IC, SSM2018	IC202
17	635532	1	IC, NE5532	IC701
18	623141	1	IC, SSM2141	IC101
19	186310	1	Pot, 10KA, Lin, +sw	P351
20	180410	2	Pot, 100KA, Lin	P601, P401
21	180310	1	Pot, 10KA, Lin	P404
22	720206	1	Header, 2x3	CON0
23	182410	1	Pot, 100KC, Inv Log	P403
24	710004	1	Sw, Push, 4PDT	SW300
25	770005	1	COMP1 front panel support	
26	710003	1	Sw, push, DPMC	SW801
27	710002	4	Sw, push, DPDT	SW201, SW301, SW601, SW602
28	110450	2	Trimpot, 500K, vert.	P201, P202
29	403001	14	LED, Red, 2mA	D302, D501, D502, D503, D504, D505, D506, D507, D508, D800, D801, D802, D902, D903
30	403003	1	LED, Yel, 2mA	D904
31	403002	2	LED, Grn, 2mA	D301, D901
32	623110	1	IC, SSM2110	IC352
33	772112	2	Scrw, M3x6mm	
34	772502	2	Lockwasher, ext, M3	
35	650034	1	SMD IC, TL034	IC810
36	650064	4	SMD IC, LF444	IC301, IC401, IC601, IC603
37	650339	3	SMD IC, LM339	IC351, IC501, IC502
38	650442	1	SMD IC, DG442DY	IC804
39	650833	1	SMD IC, LM833M/MC33078D	IC203
40	654001	1	SMD IC, 4001	IC809
41	654030	1	SMD IC, 4030	IC807
42	654051	2	SMD IC, 4051	IC805, IC806
43	654053	1	SMD IC, 4053	IC802
44	654066	1	SMD IC, 4066	IC808
45	654520	1	SMD IC, 4520	IC801
46	657259	1	SMD IC, 74HC/HCT259	IC803
47	980010	1	Carton, small module, antistatic	
48	980011	1	Bag, small module, antistatic	
49	M4-KIT	1	Inst. Kit	
50	150003	1	Shaft, Pot w/switch	
51	150001	4	Shaft, Single Pot	

UREI COMP1

