

# Technical Manual

# JBL8340

## SPECIFICATIONS



### ACOUSTIC & ELECTRICAL SPECIFICATIONS:

- Nominal Impedance: 8 ohm
- Power Capacity: 150W Continuous Pink Noise
- Frequency Response: 45 Hz to 18 kHz (-10dB)
- Sensitivity: 96 dB SPL\*
- Crossover Frequency: 2 kHz

### SYSTEM COMPONENTS:

- Cabinet: C8340 (Not For Sale)
- Grille: 305896-001
- Low Frequency Transducer: 280mm (10 in.) 306119-001X
- DC Resistance: 5.6 ohm  $\pm 10\%$  Aluminum Wire
- High Frequency Transducer: 19mm (3/4 in.) 336812-001
- DC Resistance: 5.5 ohm  $\pm 10\%$  Aluminum Wire

### SYSTEM COMPONENTS: (cont'd)

- Crossover Network: N8340 (305885-001)

### AURAL SWEEP TEST SPECIFICATIONS:

- A. System Aural Sweep Test: 4.0V Input, 20 Hz to 20 kHz
- B. L.F. Aural Sweep Test: 5.0V Input, 20 Hz to 4 kHz
- C. H.F. Aural Sweep Test: 2.0V Input, 1 kHz to 20 kHz

### PHYSICAL SPECIFICATIONS:

- Enclosure Dimensions: 539mm x 481mm x 304mm D (21.25 x 19.0 x 12.0 in. D)
- Shipping Weight: 50 lbs. (22.6 kg.)

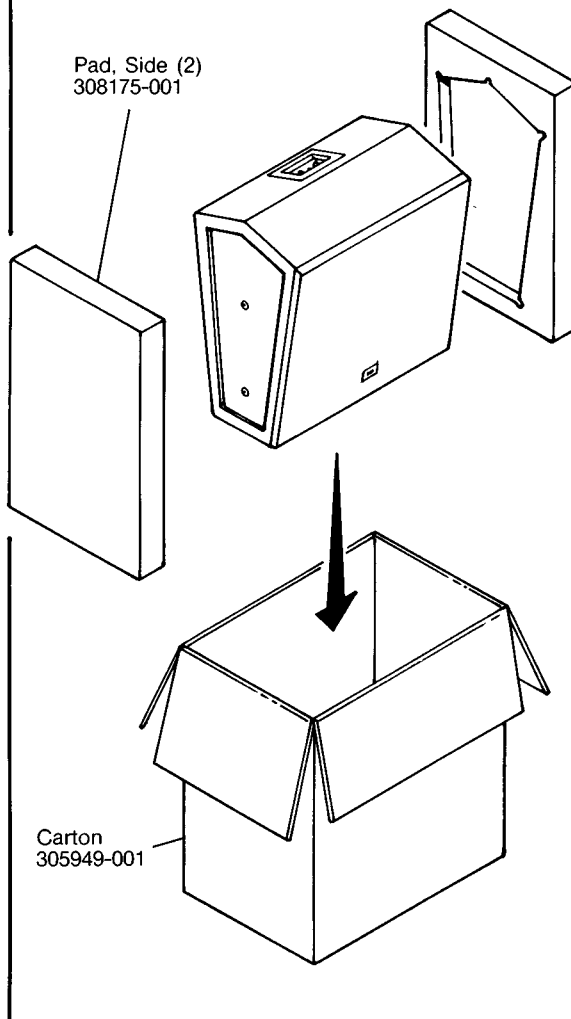
### WARRANTY INFORMATION:

- Refer to the Warranty Statement packed with each product.

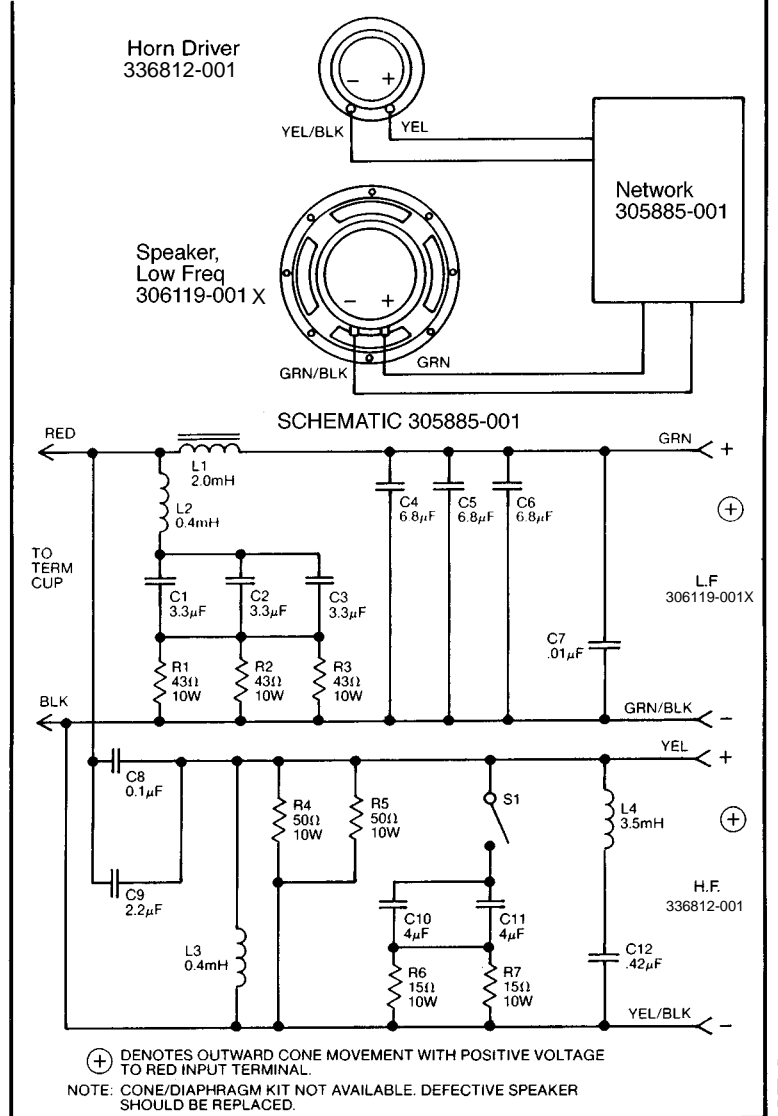
\*1 Watt (2.83 V RMS) @ 1 Meter

## PACKAGE

Warranty 59960  
Specification Sheet 981-00000



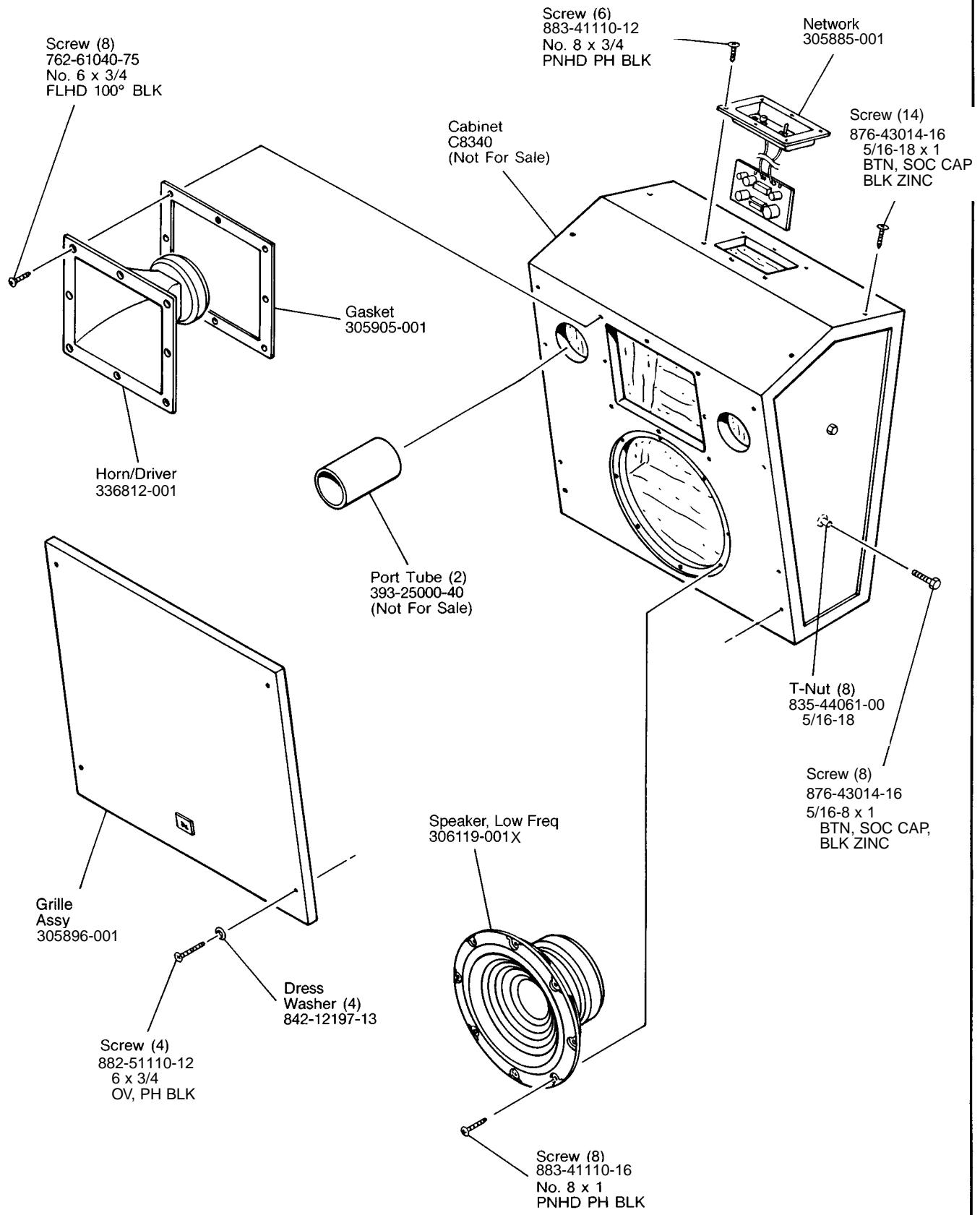
## WIRING DIAGRAM



JBL8340 REV K

# JBL8340

## COMPONENT EXPLODED VIEW



JBL8340