

# Technical Manual

# JBL 8330 SURROUND FOREGROUND MUSIC SYSTEM

## SPECIFICATIONS



### ACOUSTIC & ELECTRICAL SPECIFICATIONS:

- Nominal Impedance: 8 ohm
- Power Rating: Continuous Pink Noise: 100W
- Frequency Response: 70 Hz to 14 kHz
- Sensitivity: 91 dB SPL\*
- Crossover Frequencies: 650 Hz and 3.1 kHz

### SYSTEM COMPONENTS:

- Cabinet: C8330
- Grille: G8330 (68249)
- Low Frequency Transducer: 203mm (8 in.) Laminated High Polymer Cone (308G-4A)
- DC Resistance: 5.9 ohm  $\pm$  5% — Copper Wire
- Mid Range Transducer: 130mm (5 in.) Laminated High Polymer Cone (505G)
- DC Resistance: 4.95 ohm  $\pm$  5% Copper Wire

\*1 Watt (2.83 V RMS) @ 1 Meter

### SYSTEM COMPONENTS: (cont'd)

- High Frequency Transducer: 25mm (1 in.) Titanium Laminate Dome (012 Tweeter)
- DC Resistance: 3.85 ohm  $\pm$  5% Copper Wire
- Crossover Network: N8330 (68253)

### AURAL SWEEP TEST SPECIFICATIONS:

- A. System Aural Sweep Test: 7.0V Input, 20 Hz to 20 kHz
- B. L.F. Aural Sweep Test: 4.0V Input, 20 Hz to 1.2 kHz
- C. M.F. Aural Sweep Test: 4.0V Input, 100 Hz to 3.5 kHz
- D. H.F. Aural Sweep Test: 2.0V Input, 2 kHz to 20 kHz

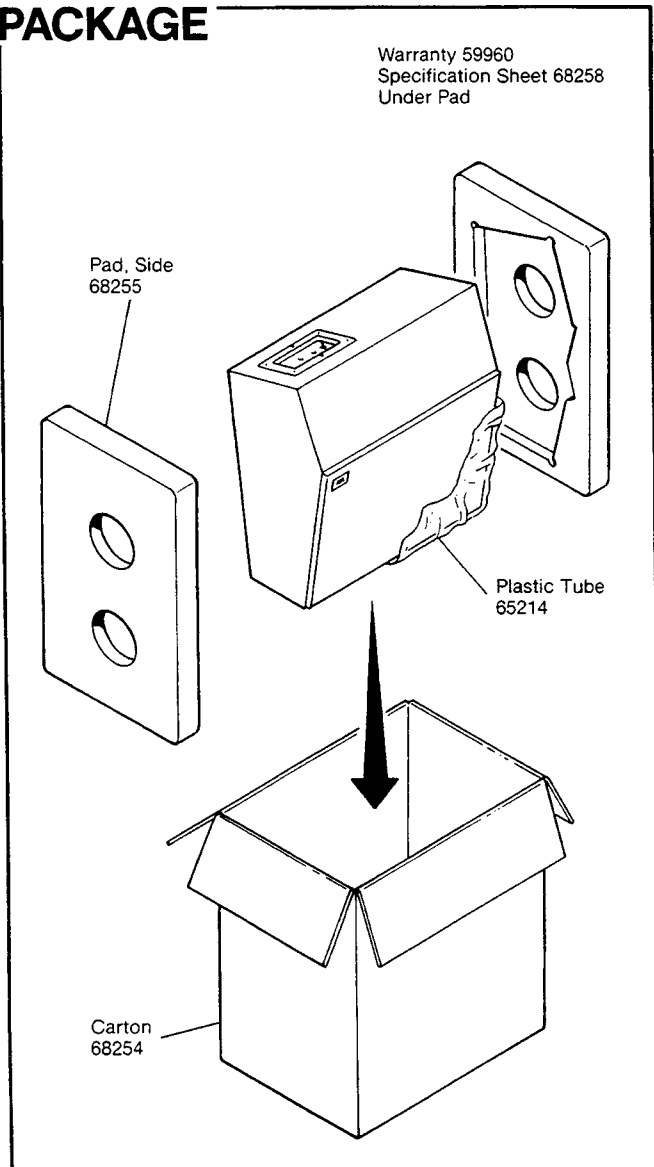
### PHYSICAL SPECIFICATIONS:

- Enclosure Dimensions: 494mm x 481mm x 257mm D (19.43 x 18.93 x 10.12 in. D)
- Shipping Weight: 36 lbs. (16 kg)

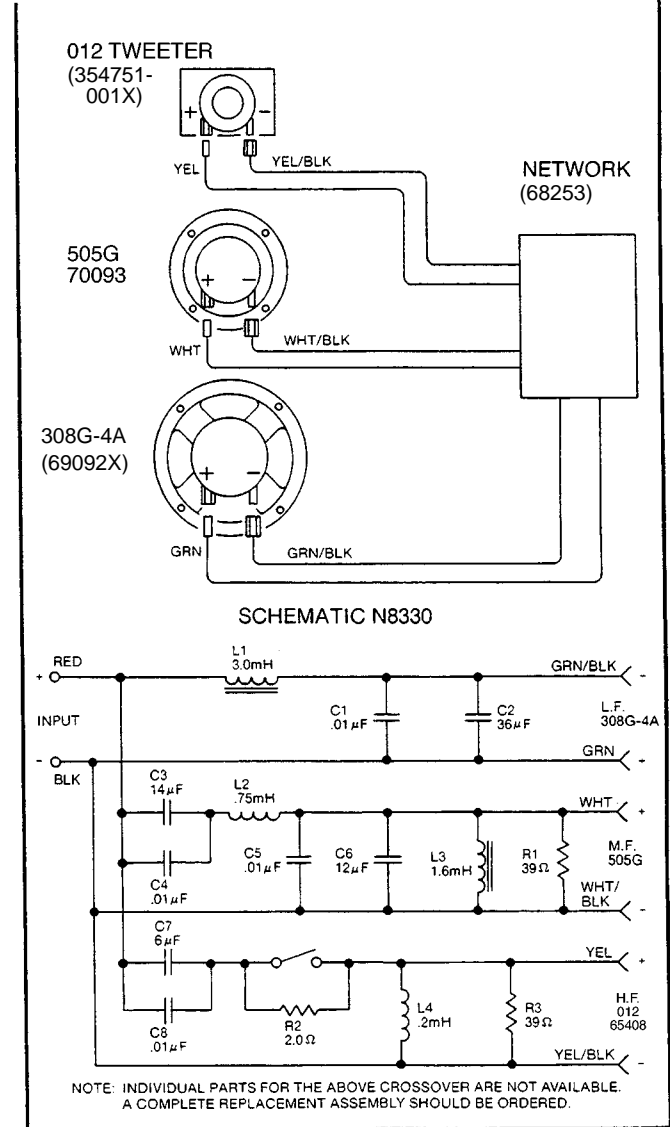
### WARRANTY INFORMATION:

- Refer to the Warranty Statement packed with each product.

## PACKAGE



## WIRING DIAGRAM



JBL 8330 REV N

# JBL8330

## COMPONENT EXPLODED VIEW

