

Technical Manual

JBL8325A SURROUND FOREGROUND MUSIC SYSTEM



SPECIFICATIONS

ACOUSTIC & ELECTRICAL SPECIFICATIONS:

- Nominal Impedance: 8 ohm
- Power Capacity: 80 Watts
- Frequency Range: 60 Hz to 14 kHz
- Sensitivity: 91 dB SPL*
- Crossover Frequencies: 1.1 kHz and 3.4 kHz

SYSTEM COMPONENTS:

- Cabinet: C8325A
- Grille: G8325A
- Low Frequency Transducer: 250mm (10 in.) Laminated High Polymer Cone
- Mid-Range Transducer: 130mm (5 in.) Laminated High Polymer Cone

SYSTEM COMPONENTS: (cont'd)

- High Frequency Transducer: 25mm (1 in.) Titanium Laminate Dome
- Crossover Network: N8325A

PHYSICAL SPECIFICATIONS:

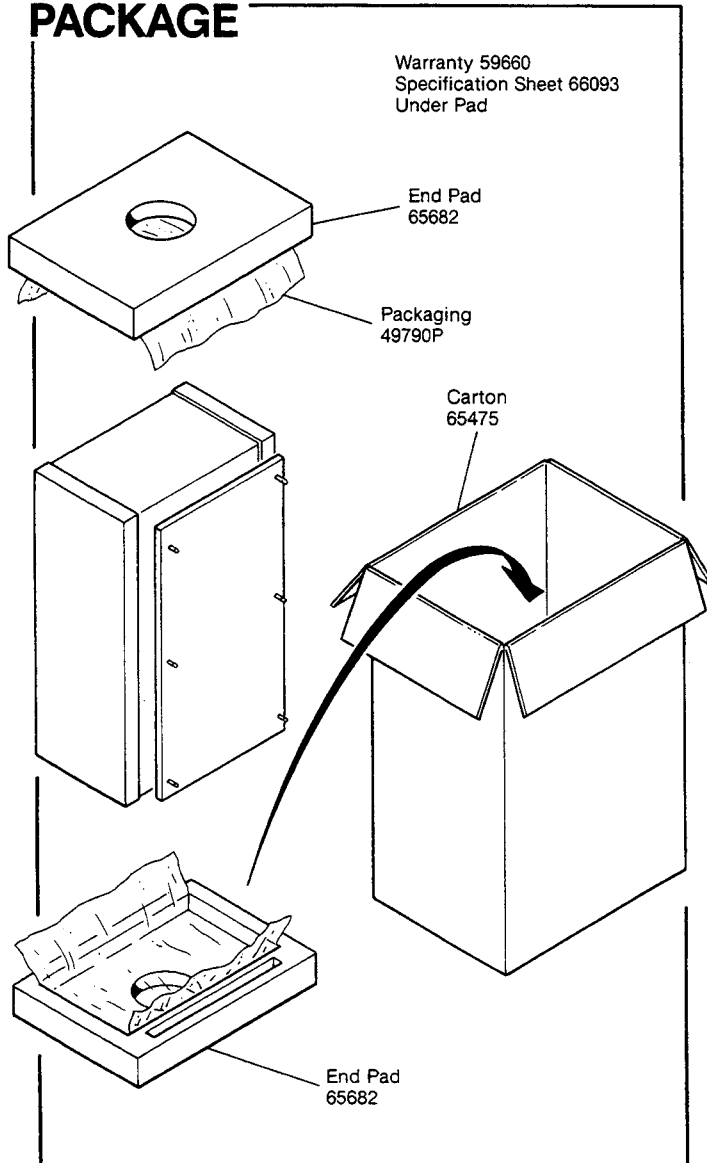
- Enclosure Dimensions: 660mm x 400mm x 235mm D (26.0 x 15.75 x 9.25 in. D)
- Shipping Weight: 40.3 lbs. (18.2 kg.)

WARRANTY INFORMATION:

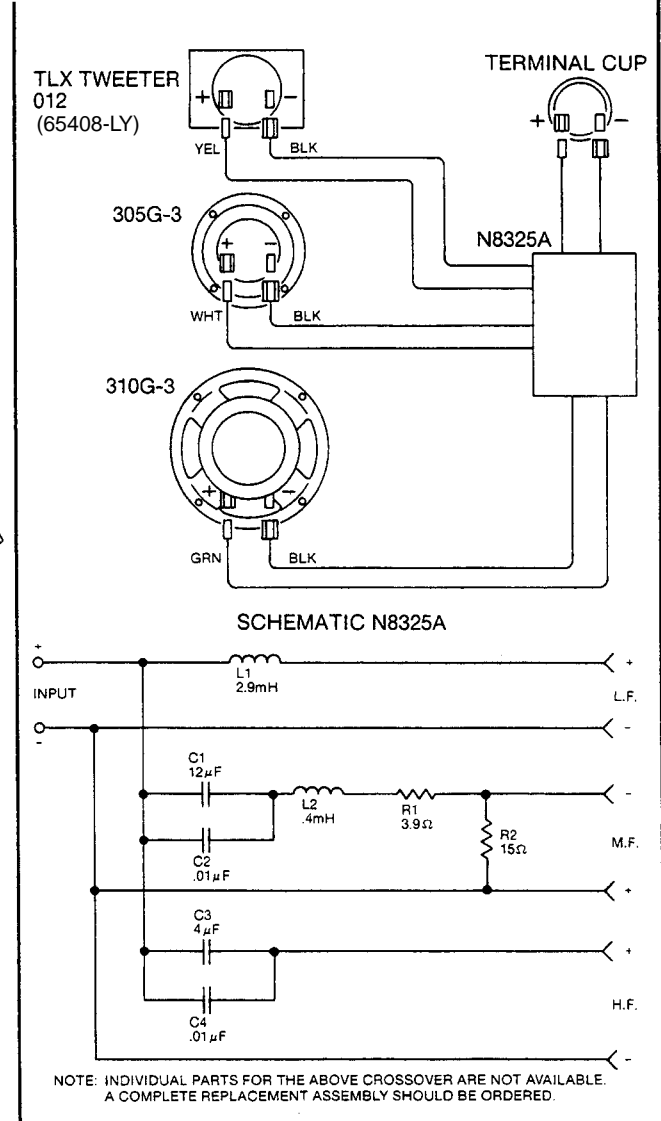
- Refer to the Warranty Statement packed with each product.

*1 Watt (2.83 V RMS) @ 1 Meter

PACKAGE



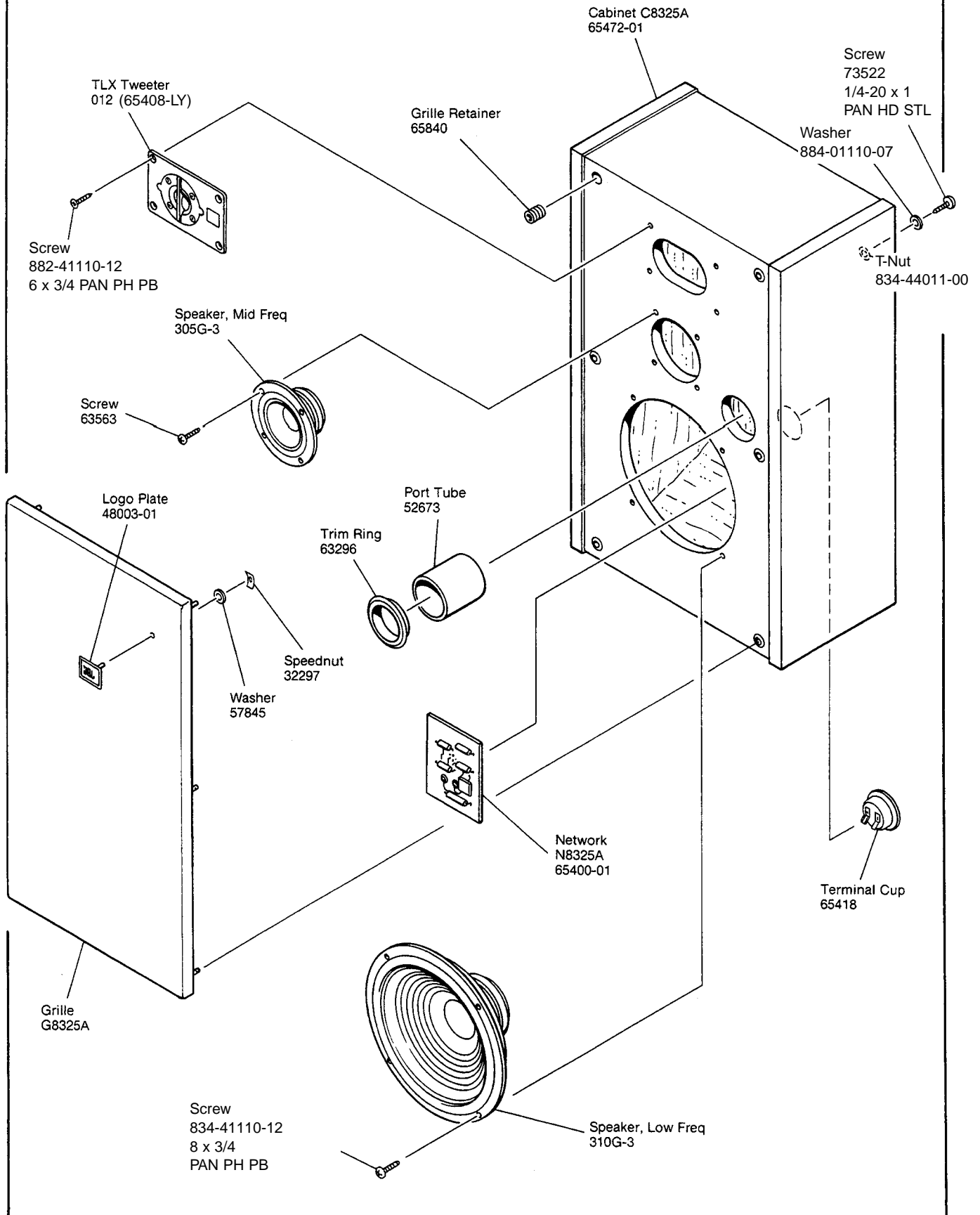
WIRING DIAGRAM



JBL8325A REV C

JBL8325A

COMPONENT EXPLODED VIEW



JBL8325A