

Technical Manual

JBL8216A FOREGROUND MUSIC SYSTEMS



SPECIFICATIONS

ACOUSTIC & ELECTRICAL SPECIFICATIONS:

- Nominal Impedance: 8 ohm
- Power Capacity: 60 Watts
- Frequency Range: 60 Hz to 14 kHz (± 4 dB)
- Sensitivity: 89 dB SPL*
- Crossover Frequencies: 3.6 kHz

SYSTEM COMPONENTS:

- Cabinet: C8216A
- Grille: G8216A
- Low Frequency Transducer: 165mm (6.5 in.) Laminated High Polymer Cone (65436)

SYSTEM COMPONENTS: (cont'd)

- High Frequency Transducer: 25mm (1 in.) Titanium Laminate Dome
- Crossover Network: N8216A

PHYSICAL SPECIFICATIONS:

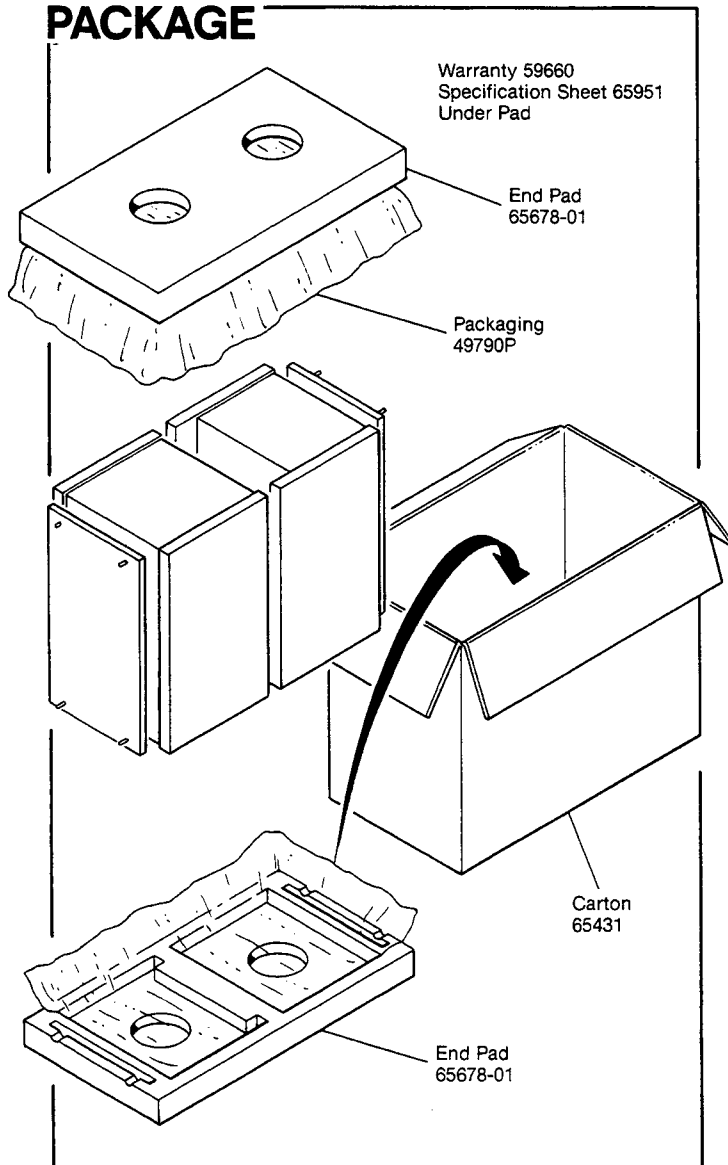
- Enclosure Dimensions: 375mm x 254mm x 235mm D (14.75 x 10.0 x 9.25 in. D)
- Shipping Weight: 39 lbs. (17.6 kg.)

WARRANTY INFORMATION:

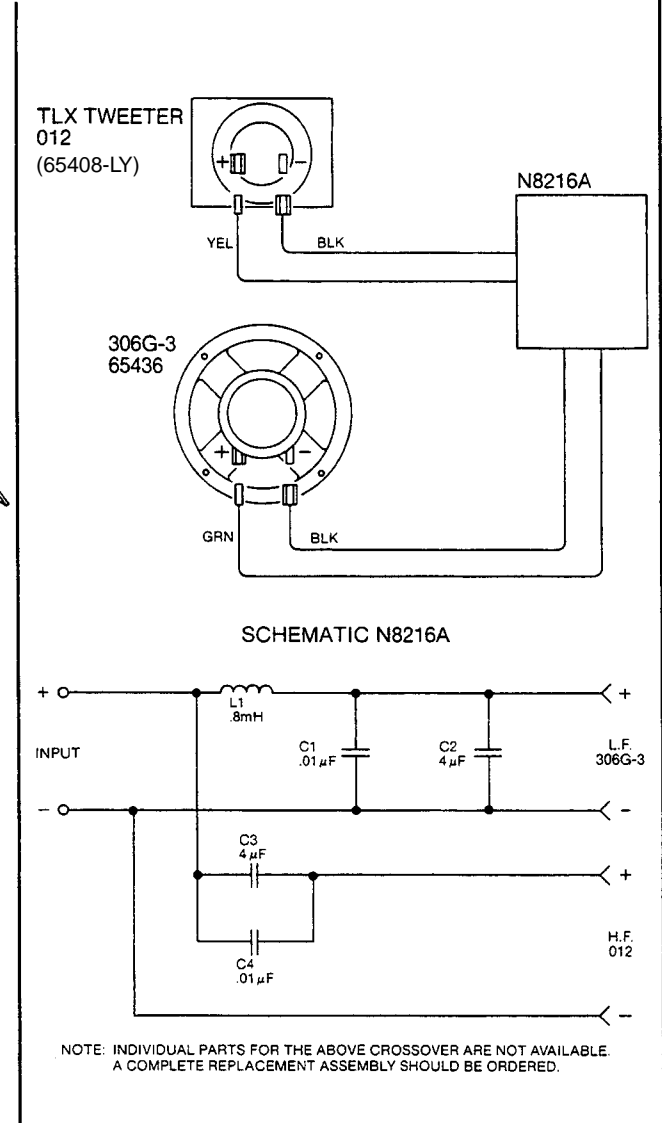
- Refer to the Warranty Statement packed with each product.

*1 Watt (2.83 V RMS) @ 1 Meter

PACKAGE



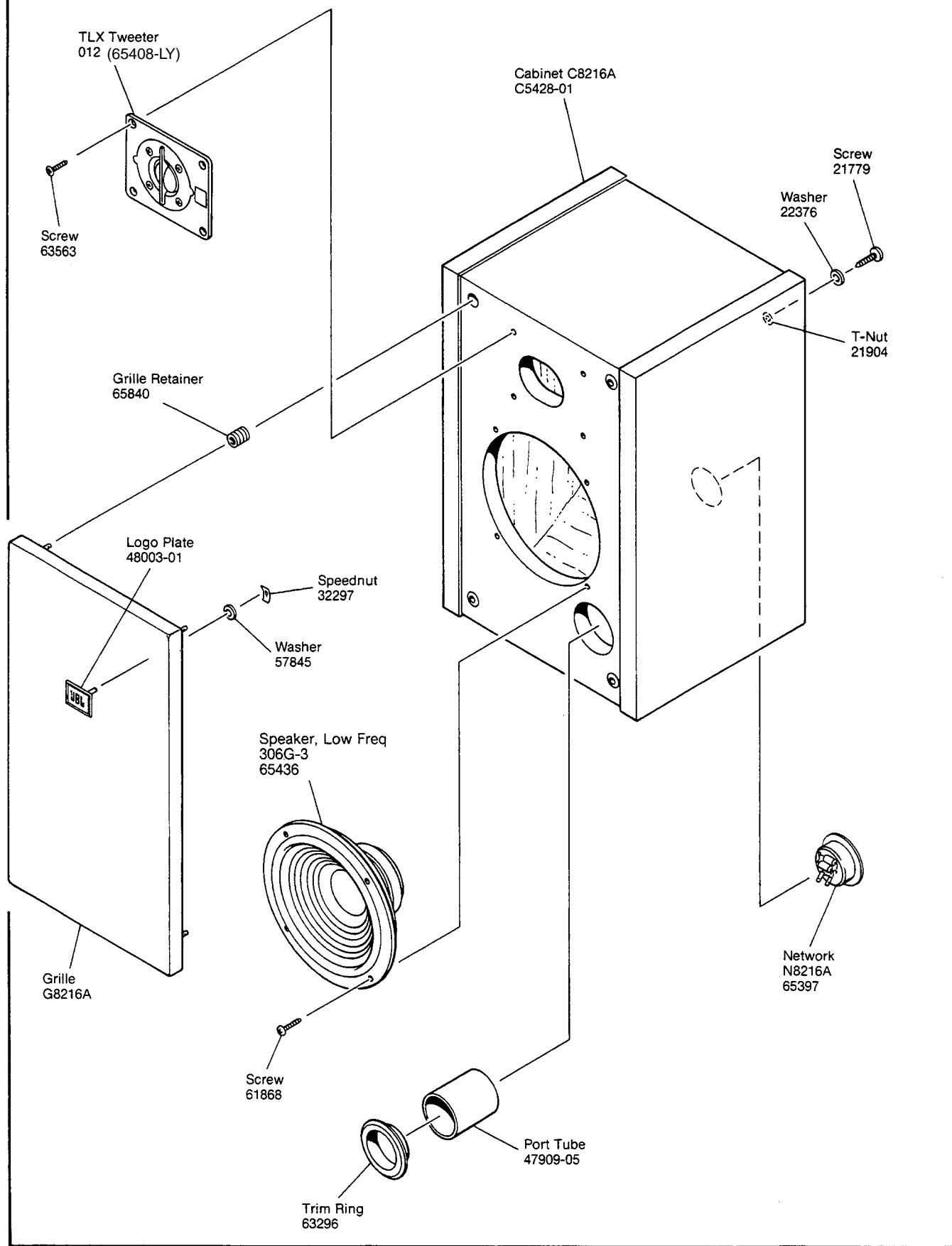
WIRING DIAGRAM



JBL8216A REV D

JBL8216A

COMPONENT EXPLODED VIEW



JBL8216A