

Technical Manual

JBL5674

SPECIFICATIONS



ACOUSTIC & ELECTRICAL SPECIFICATIONS:

- Max Amp Power: LF: 142.8 dB, MF: 140 dB, HF: 136.8 dB
- Frequency Range: 35 Hz – 16 kHz (-10dB)
- Sensitivity: 103 dB, 1 Watt @ 1 Meter
- Crossover Frequencies: LF/MF: 297 Hz, MF/HF: 2.5 kHz

MODEL 5644:

- Low Frequency Transducer: 380mm (15 in.) Cone Transducer (2226H) (4)
- Nominal Impedance: 4 ohms
- Input Power Rating: 2400W, AES
- Sensitivity: 103 dB, 1 Watt @ 1 Meter
- DC Resistance: 5.0 ohm ± 10% Aluminum Wire

MODEL 5674-19HF:

- Mid Range Transducer: 100mm (4 in.) Pure Titanium Diaphragm (2490H)
- Nominal Impedance: 8 ohms
- Input Power Rating: 100W, AES
- Sensitivity: 114 dB, 1 Watt @ 1 Meter
- DC Resistance: 3.6 ohm ± 8% Aluminum Wire

SPECIFICATIONS: (cont'd)

- High Frequency Transducer: 100mm (4 in.) Pure Titanium Diaphragm (2451H)
- Nominal Impedance: 8 ohms
- Input Power Rating: 75W, AES
- Sensitivity: 112 dB, 1 Watt @ 1 Meter
- DC Resistance: 4.1 ohm ± 8% Aluminum Wire

PHYSICAL SPECIFICATIONS:

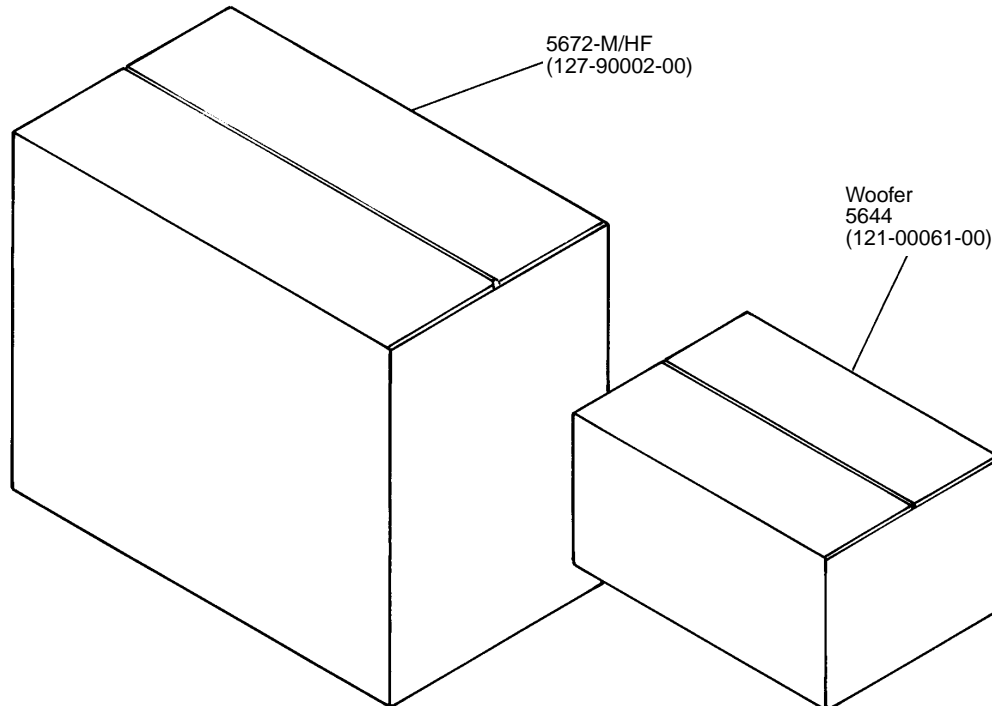
- System Dimensions: 2896mm x 1118mm x 864mm D (114.0 x 44.0 x 34.0 in. D)
- System Shipping Weight: 818.5 lbs. (371.3 kg.)

WARRANTY INFORMATION:

- Refer to Warranty Statement packed with each product.

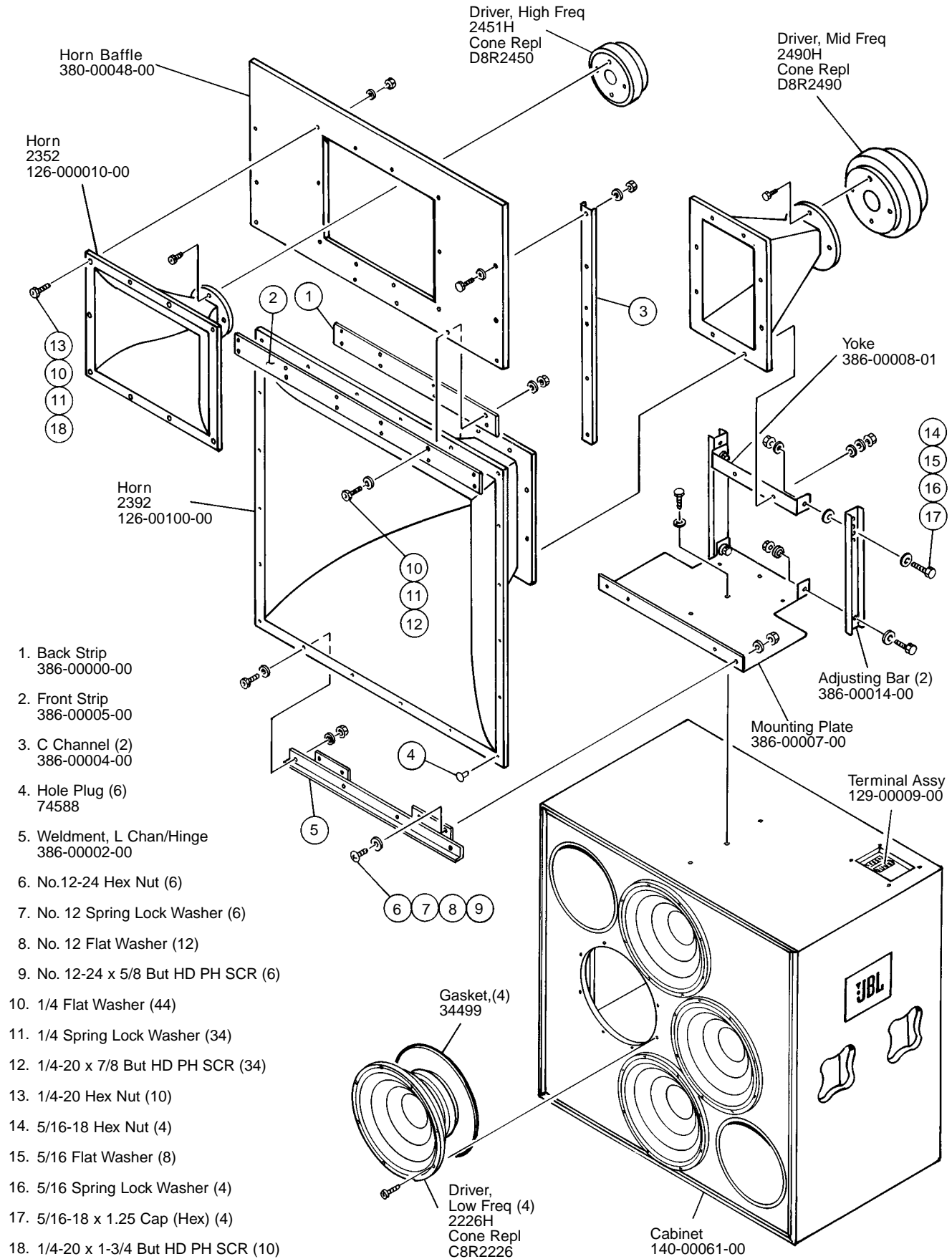
PACKAGE

Warranty 59660
Owner's Manual 981-00040-00



JBL5674

COMPONENT EXPLODED VIEW



JBL5674

Port Tube (2)
47909-27