

# Technical Manual

# JBL5671

## SPECIFICATIONS



### ACOUSTIC & ELECTRICAL SPECIFICATIONS:

- Max Amp Power: LF: 130.8 dB, MF: 140 dB, HF: 136.8 dB
- Frequency Range: 40 Hz – 16 kHz (-10dB)
- Sensitivity: 97 dB, 1 Watt @ 1 Meter
- Crossover Frequencies: LF/MF: 320 Hz, MF/HF: 2.3 kHz

### MODEL 5641:

- Low Frequency Transducer: 380mm (15 in.) Cone Transducer (2226H)
- Nominal Impedance: 8 ohms
- Input Power Rating: 600W, AES
- Sensitivity: 97 dB, 1 Watt @ 1 Meter
- DC Resistance: 5.0 ohm ± 10% Aluminum Wire

### MODEL 5671-M/HF:

- Mid Range Transducer: 100mm (4 in.) Pure Titanium Diaphragm (2490H)
- Nominal Impedance: 8 ohms
- Input Power Rating: 100W, AES
- Sensitivity: 114 dB, 1 Watt @ 1 Meter
- DC Resistance: 3.6 ohm ± 8% Aluminum Wire

### SPECIFICATIONS: (cont'd)

- High Frequency Transducer: 100mm (4 in.) Pure Titanium Diaphragm (2451H)
- Nominal Impedance: 8 ohms
- Input Power Rating: 75W, AES
- Sensitivity: 112 dB, 1 Watt @ 1 Meter
- DC Resistance: 4.1 ohm ± 8% Aluminum Wire

### PHYSICAL SPECIFICATIONS:

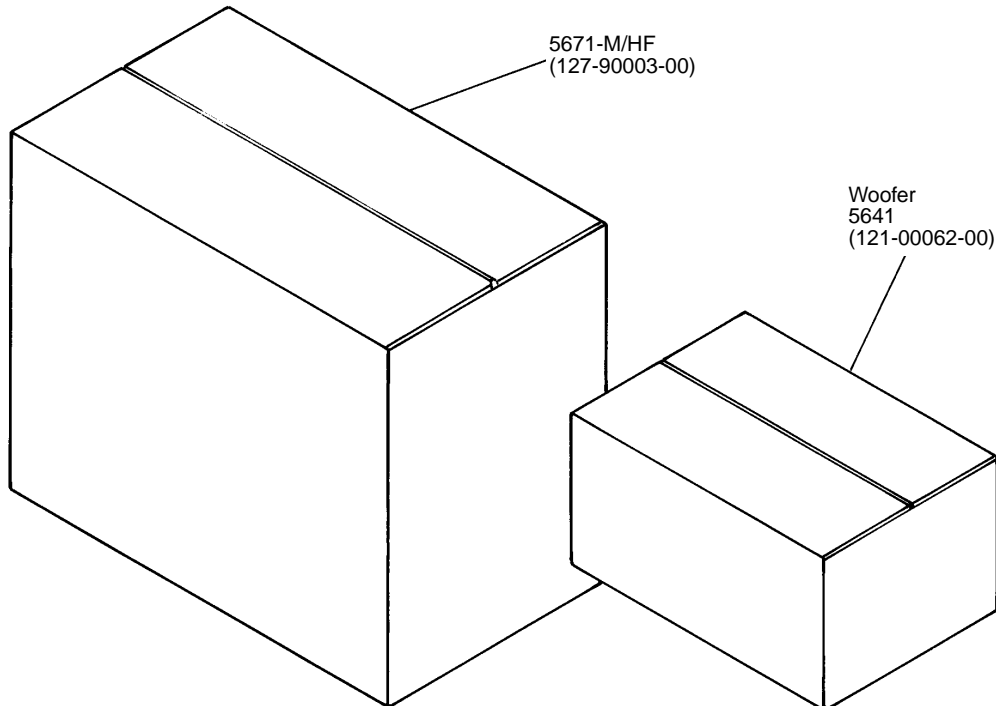
- System Dimensions: 2896mm x 1118mm x 864mm D (114.0 x 44.0 x 34.0 in. D)
- System Shipping Weight: 343 lbs. (156 kg.)

### WARRANTY INFORMATION:

- Refer to Warranty Statement packed with each product.

## PACKAGE

Warranty 59660  
Owner's Manual 981-00040-00



# JBL5671

## COMPONENT EXPLODED VIEW

