

Technical Manual

JBL 4732-M/HF-T

SPECIFICATIONS



ACOUSTIC & ELECTRICAL SPECIFICATIONS:

- Nominal Impedance: 4 Ohms
HF: 8 ohms
- System Input Power Rating: LF: 800 watts
M/HF; 200 watts HF; 50 watts
- Frequency Response: 40 Hz - 18 kHz (± 3 dB)
- Frequency Range: 30 Hz - 20 kHz (± 3 dB)
- Rated Maximum SPL: 129 dB @ 1 m (3.3 ft), 132 dB peak
- System Sensitivity: 106 dB, 2.83V @ 1 m (3.3 ft)
- Crossover Frequency: 250 Hz, (1.2 kHz)

SYSTEM COMPONENTS:

- Mid Frequency Transducer: 4 x 165H; 165mm (6.5 in) dia., 38 mm (1.5 in) voice coil
- DC Resistance: 5.2 ohm $\pm 10\%$
- High Frequency Transducer: 2432H; 75 mm (3 in) titanium diaphragm and voice coil dia., 38 mm (1.5) exit diameter
- DC Resistance: 4.00 ohm $\pm 0.2\%$

SYSTEM COMPONENTS: (Cont'd)

- Lower PCB Assembly: 441699-001
- Upper PCB Assembly: 441698-001

AURAL SWEEP TEST SPECIFICATIONS:

- A. M.F. Aural Sweep Test: 5.0V Input, 10 Hz to 1 kHz
- B. H.F. Aural Sweep Test: 3.0V Input, 300 Hz to 1.0 kHz

PHYSICAL SPECIFICATIONS:

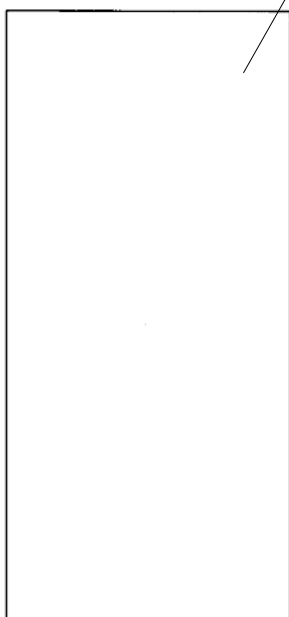
- Enclosure Dimensions: 2427 x 762 x 450 mm D (95.6 x 30 x 17.75 in. D)
- Net Weight: 204 lb (92.6 kg)
- Shipping Weight: 246 lb (111.7 kg)

WARRANTY INFORMATION:

- Refer to Warranty Statement packed with each product.

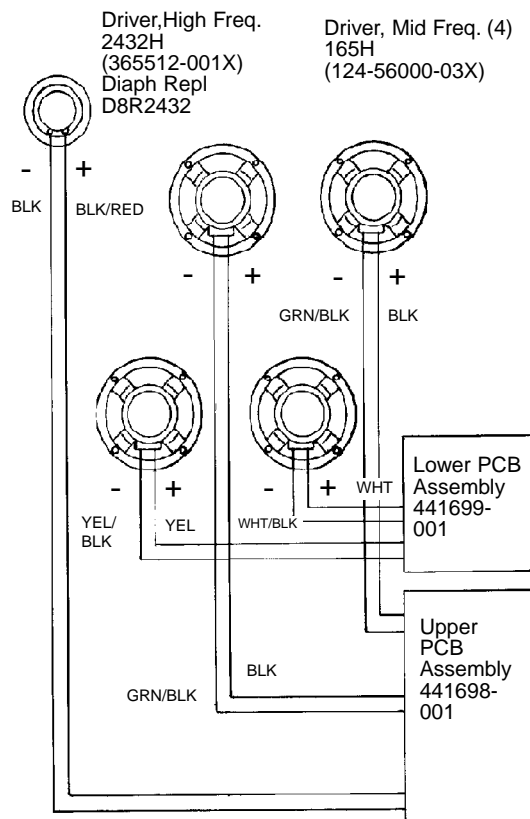
PACKAGE

Warranty Card
59660



- Carton 990-00204-00
- Filler, Top 991-00204-001
- Filler, Bottom 365534-001
- PKG, Microfoam (8) 49790P 20' x 18" sheets
- Filler, Back Support 991-00205-001
- Bottom Tray 991-00207-00

WIRING DIAGRAM

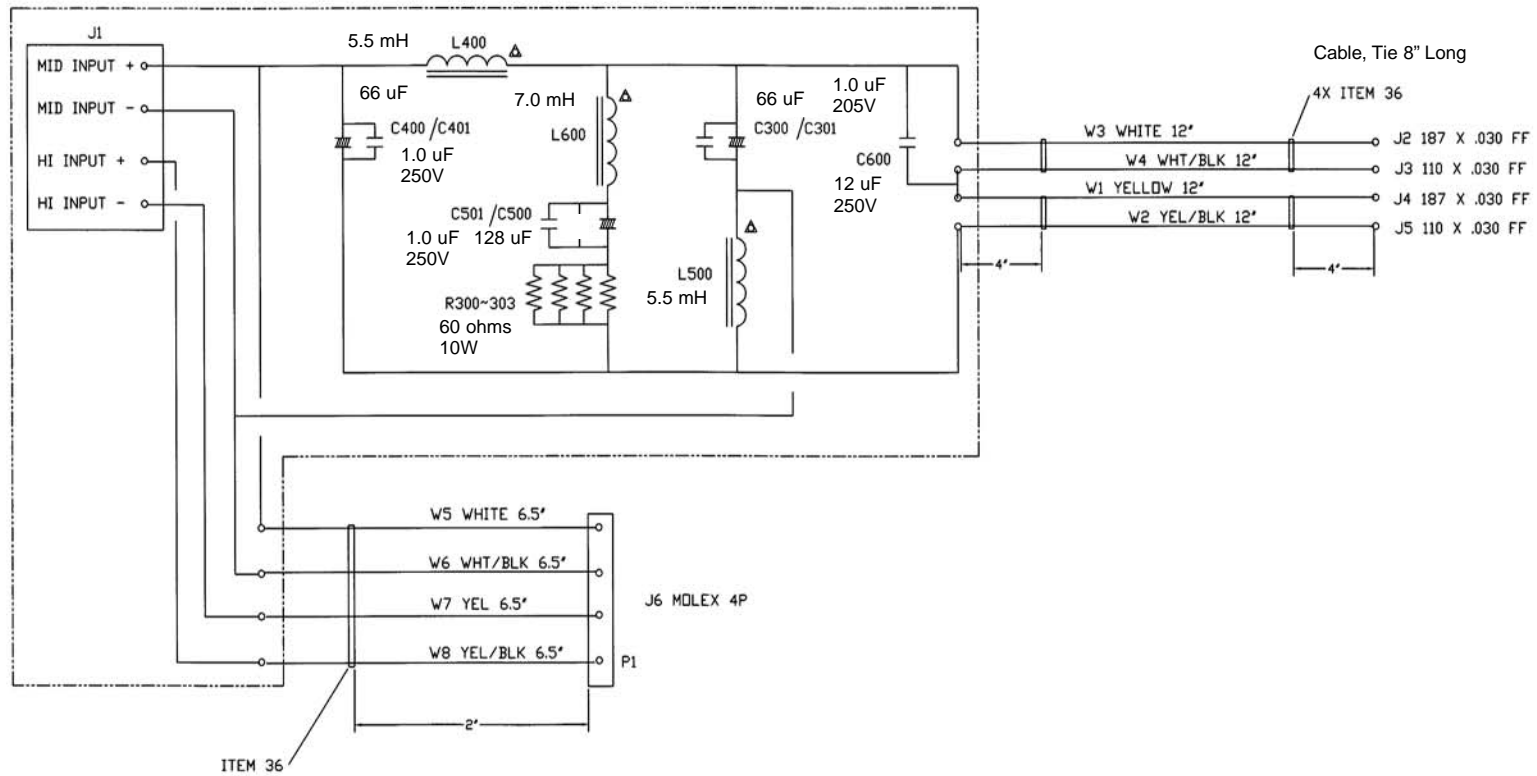


PCB Assembly Schematics Page 2 and Page 3

NOTE: INDIVIDUAL PARTS FOR THE ABOVE CROSSOVER ARE NOT AVAILABLE. A COMPLETE REPLACEMENT ASSEMBLY SHOULD BE ORDERED.

JBL 4732M/HF-T

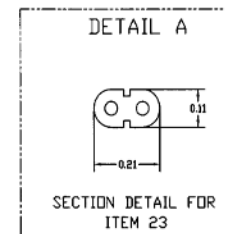
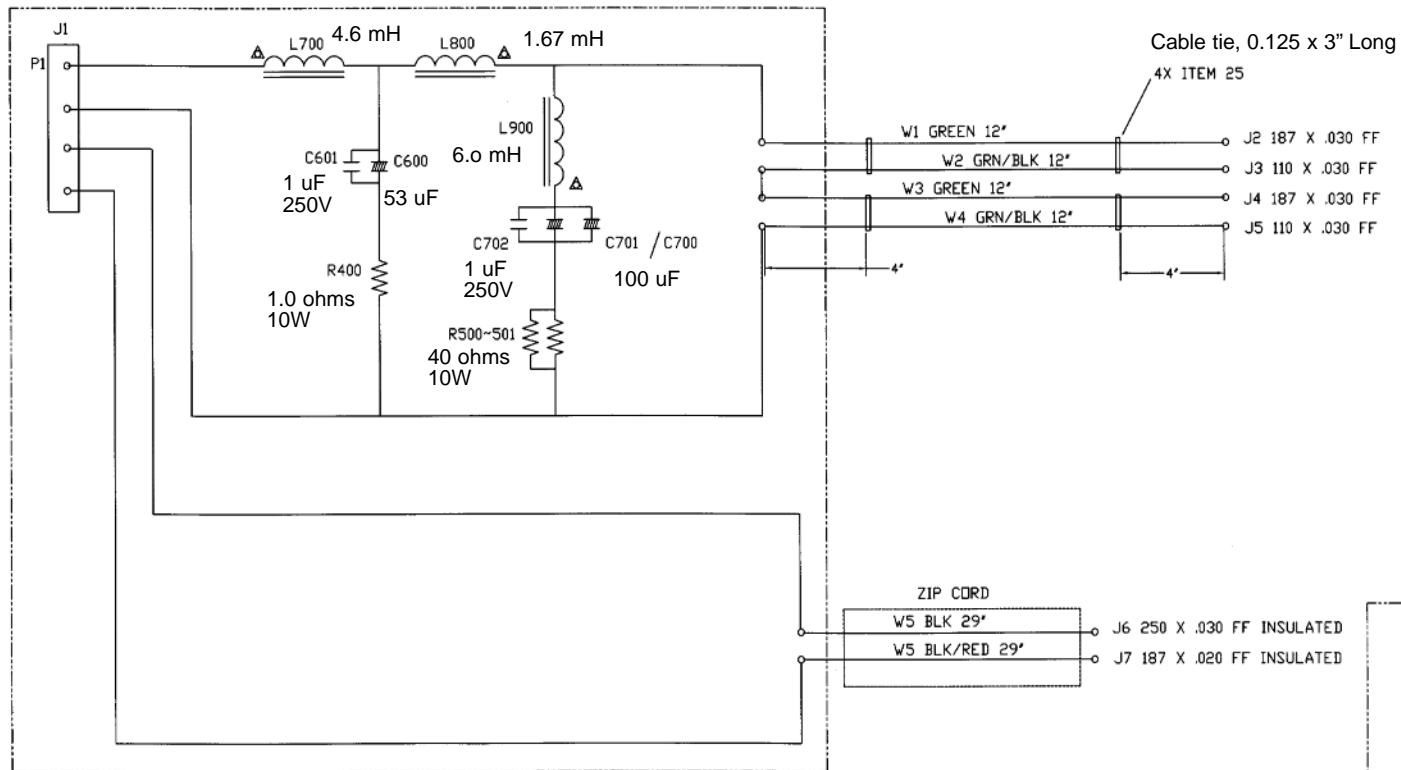
PCB ASSEMBLY, LOWER (441699-001)



JBL 4732-M/HF-T

JBL 4732-M/HF-T

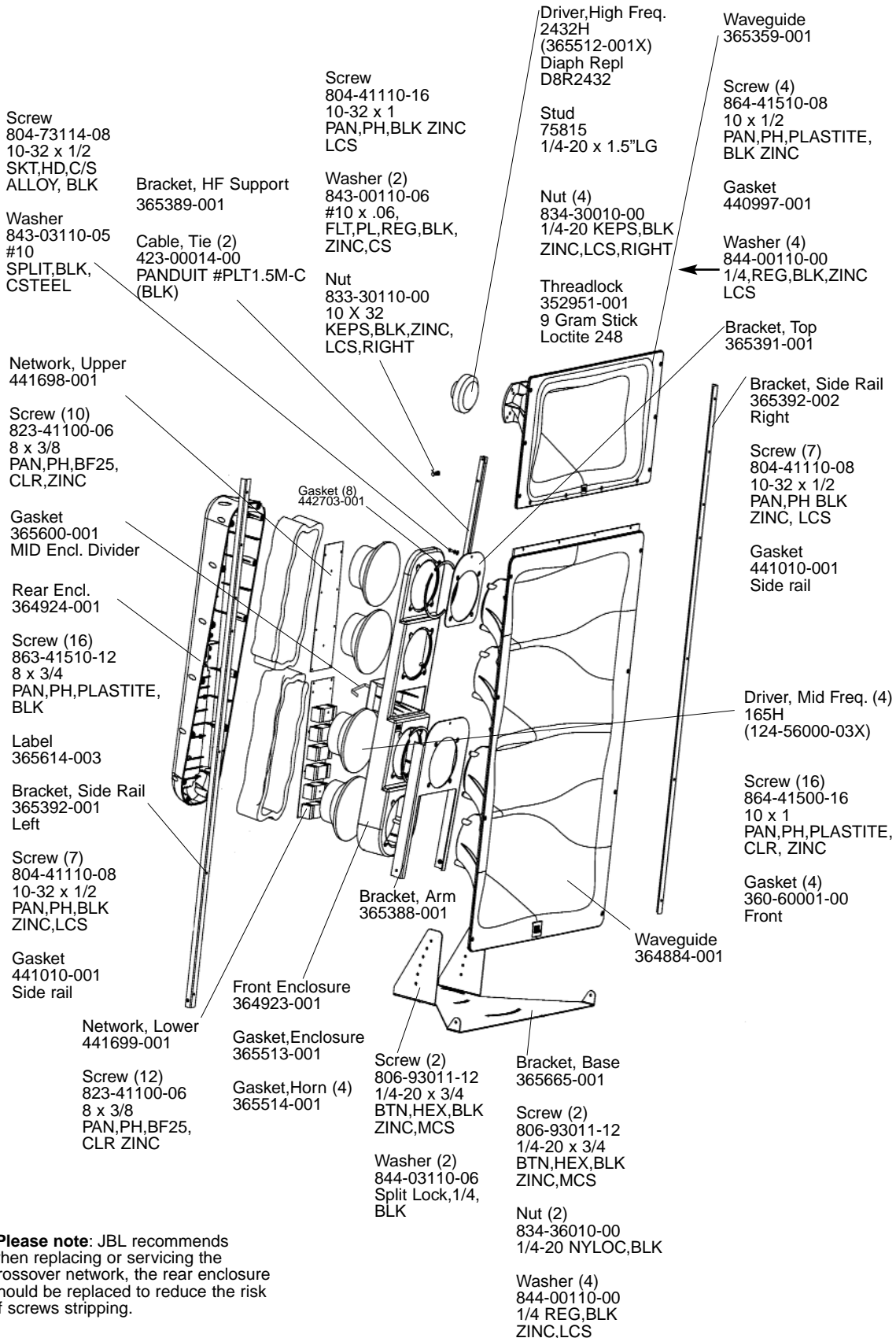
PCB ASSEMBLY, UPPER (441698-001)



JBL 4732-M/HF-T

JBL 4732-M/HF-T

COMPONENT EXPLODED VIEW



JBL 4732-M/HF-T