

# Technical Manual

# JBL 4732-M/HF

## SPECIFICATIONS



### ACOUSTIC & ELECTRICAL SPECIFICATIONS:

- Nominal Impedance: 4 Ohms  
HF: 8 ohms
- Input Power Rating: 200 watts AES; 400 watts recommended amplifier  
MF: 200 watts AES, 400 recommended amplifier  
HF: 50 watts AES, 200 watts recommended amplifier
- Frequency Response: 40 Hz - 18 kHz (±3 dB)
- Frequency Range: 30 Hz - 20 kHz (±3 dB)
- Sensitivity: 106 dB SPL, 2.83V @ 1 m (3.3 ft)  
MF: 109 dB SPL, 2.83V @ 1 m (3.3 ft)  
HF: 114 dB SPL, 2.83V @ 1 m (3.3 ft)
- Crossover Frequency: 250 Hz - 1.2 kHz

### SYSTEM COMPONENTS:

- Mid Frequency Transducer: 4 x 165H; 165mm (6.5 in) dia., 38 mm (1.5 in) voice coil
- DC Resistance: 5.2 ohm ±10%

### SYSTEM COMPONENTS: (Cont'd)

- High Frequency Transducer: 2432H; 75 mm (3 in) titanium diaphragm and voice coil dia., 38 mm (1.5 in) exit diameter
- DC Resistance: 4.0 ohm ±0.2%
- Lower Network Assembly: 365510-001
- Upper Network Assembly: 365509-001

### AURAL SWEEP TEST SPECIFICATIONS:

- A. System Aural Sweep Test: 7.0V Input, 200 Hz to 20 kHz
- B. M.F. Aural Sweep Test: 5.0V Input, 10 Hz to 1 kHz
- C. H.F. Aural Sweep Test: 3.0V Input, 300 Hz to 1.0 kHz

### PHYSICAL SPECIFICATIONS:

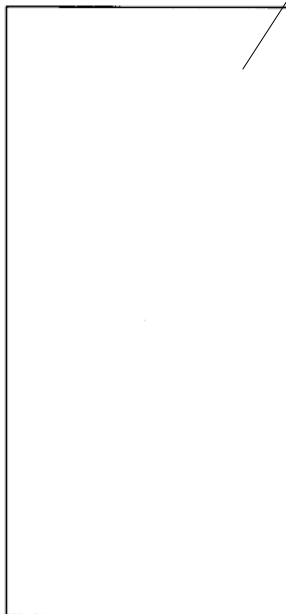
- Enclosure Dimensions: 1544 x 762 x 450 mm D (60.8 x 30 x 17.75 in. D)
- Net Weight: 78 lb (35.4 kg)
- Shipping Weight: 100 lb (45.4 kg)

### WARRANTY INFORMATION:

- Refer to Warranty Statement packed with each product.

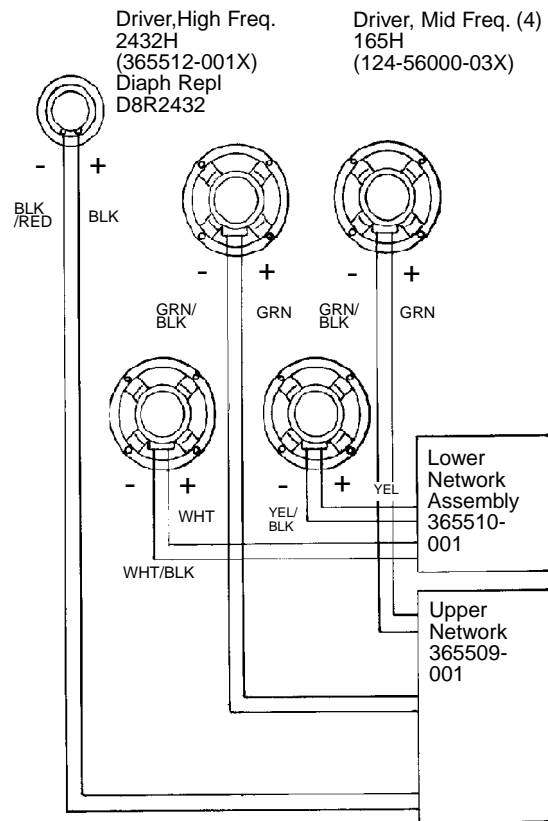
## PACKAGE

Warranty Card  
59660



- Carton 990-00204-00
- Filler, Top 991-00204-01
- Filler, Bottom 365534-001
- PKG, Microfoam (8) 49790P 20' x 18" sheets
- Rear Support Filler 991-00205-01
- Bottom Tray 991-00207-00

## WIRING DIAGRAM

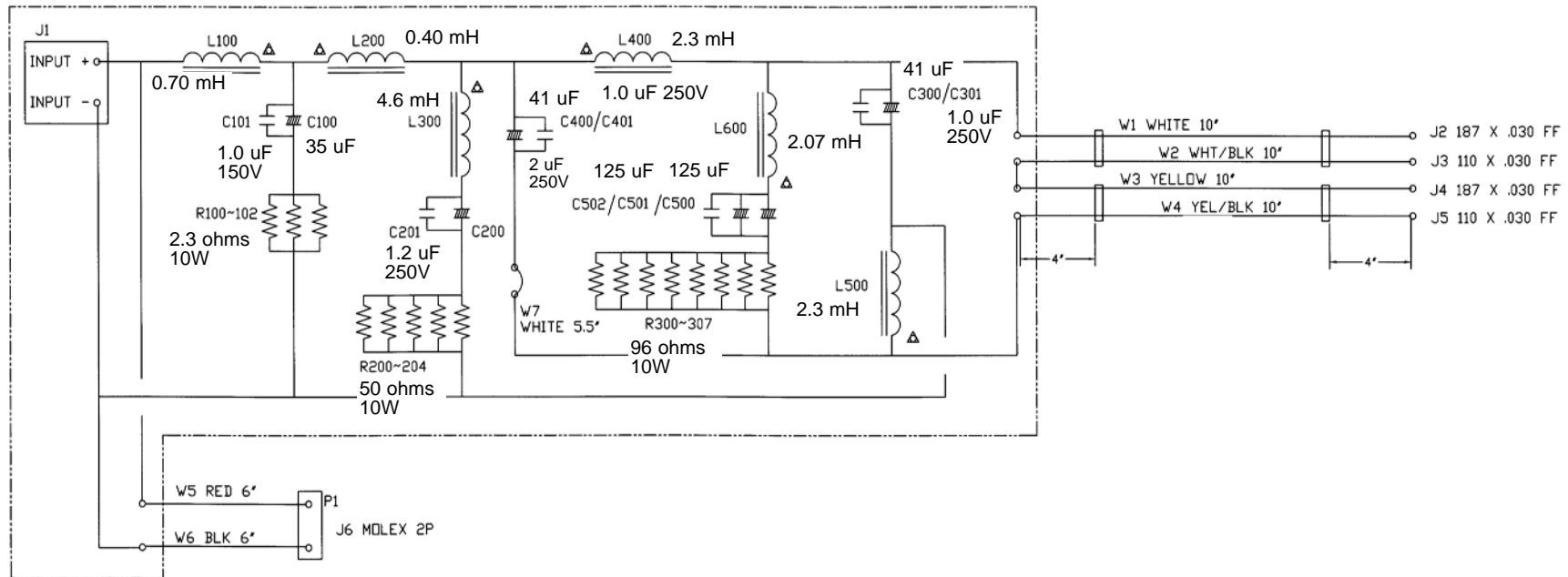


Network Assembly Schematics Page 2 and Page 3

NOTE: INDIVIDUAL PARTS FOR THE ABOVE CROSSOVER ARE NOT AVAILABLE. A COMPLETE REPLACEMENT ASSEMBLY SHOULD BE ORDERED.

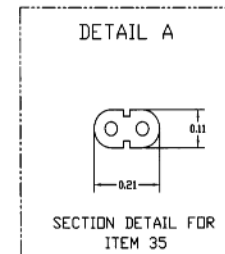
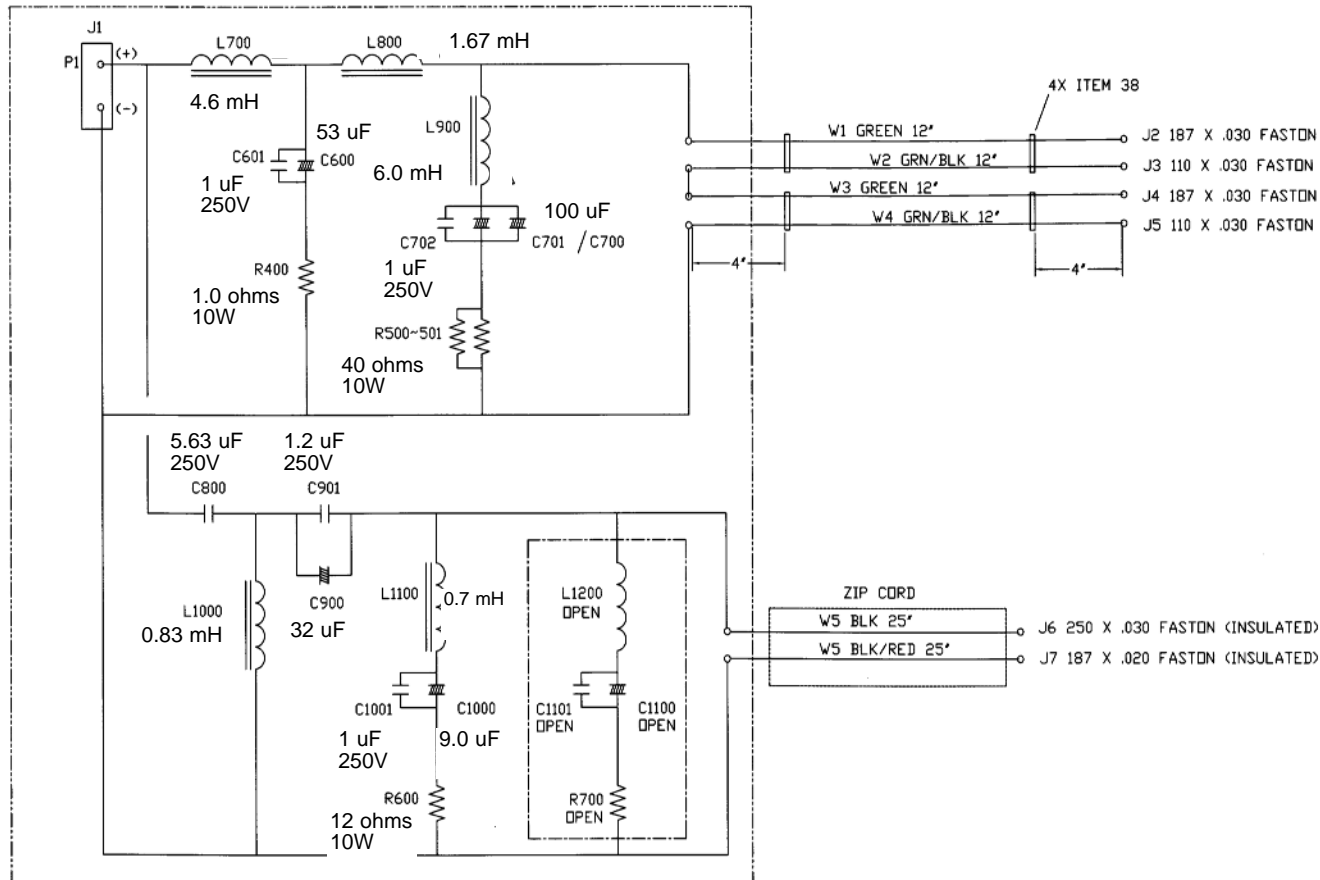
# JBL 4732M/HF

## SCHEMATIC, LOWER (365510-001)



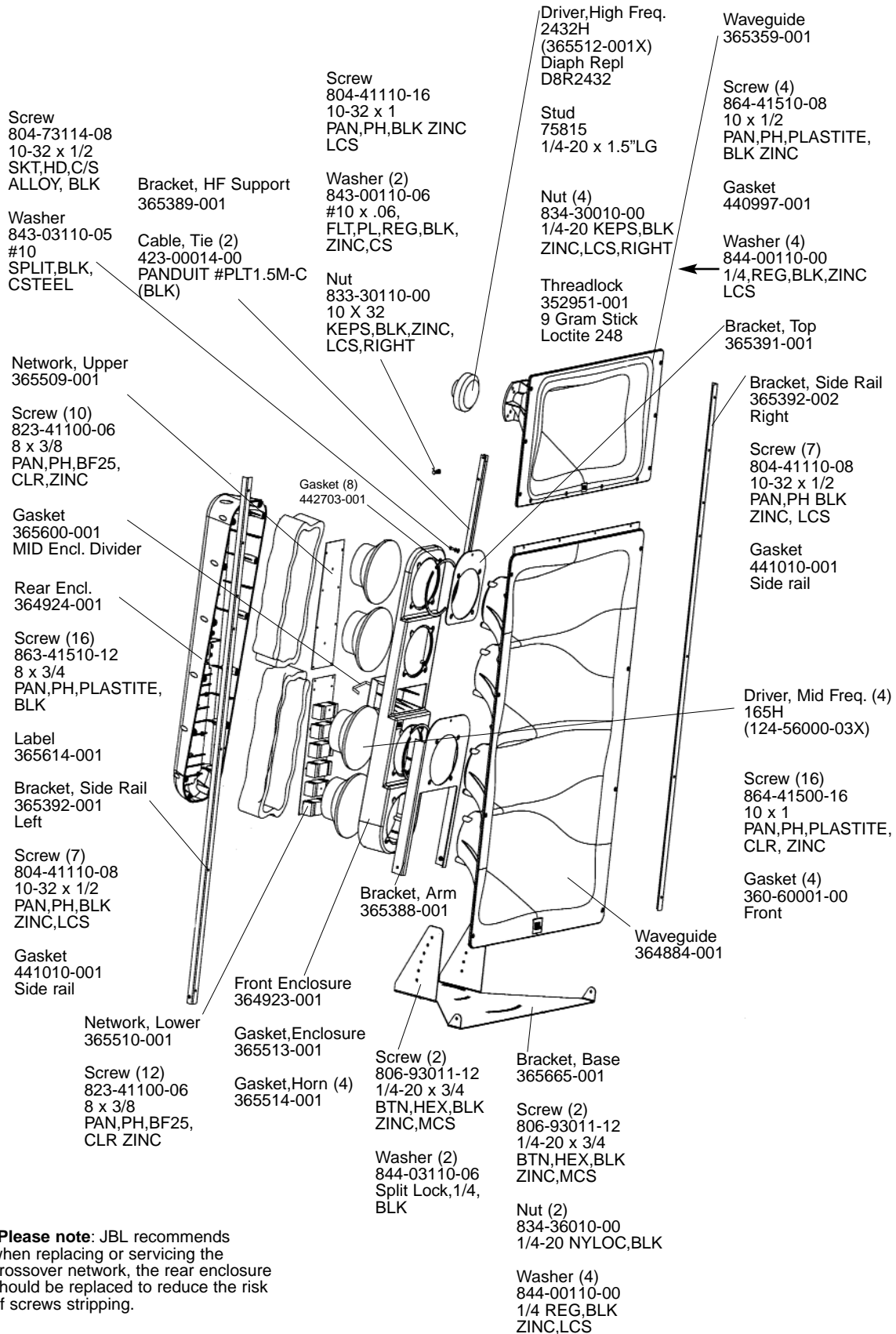
# JBL 4732M/HF

## SCHEMATIC, UPPER (365509-001)



# JBL 4732-M/HF

## COMPONENT EXPLODED VIEW



**\*Please note:** JBL recommends when replacing or servicing the crossover network, the rear enclosure should be replaced to reduce the risk of screws stripping.