

# Technical Manual



# JBL 4722-HF

## SPECIFICATIONS

### ACOUSTIC & ELECTRICAL SPECIFICATIONS:

- Nominal Impedance: 4 Ohms
- Passive System Input Power Rating: 600W with Sub
- Bi-Amp Systems Input Power Rating: HF: 100W
- Frequency Response: 40 Hz - 16 Hz ( $\pm 3$  dB) (System)
- Frequency Range: 30 Hz - 20 kHz ( $\pm 3$  dB) (System)
- Rated Maximum SPL: 127 dB, @ 1 m (3.3 ft) 133 dB peak
- System Sensitivity: 101 dB, 2V @ 1 m (3.3 ft)
- Crossover Frequency: 630 Hz with Sub

### SYSTEM COMPONENTS:

- Cabinet: Not for Sale
- High Frequency: 2432H compression driver 1.5" exit, 3 in voice coil
- DC Resistance: 4 ohm  $\pm 0.2$  %

### SYSTEM COMPONENTS: (Cont'd)

- Crossover Network: 442115-001

### AURAL SWEEP TEST SPECIFICATIONS:

- A. System Aural Sweep Test: 3.0V Input, 300 Hz to 20 kHz
- B. H.F. Aural Sweep Test: 3.0V Input, 300 Hz to 1.0 kHz

### PHYSICAL SPECIFICATIONS:

- Enclosure Dimensions: 381 x 762 x 381 mm D (15 x 30 x 15 in. D)
- Net Weight: 20 lb (9 kg)
- Shipping Weight: 32 lb (14.5 kg)

### WARRANTY INFORMATION:

- Refer to Warranty Statement packed with each product.

## PACKAGE

Warranty Card  
59660

- Carton  
336997-001
- Filler, Bottom  
336998-001
- Sleeve, Center  
336999-001
- Filler, Top  
337000-001
- Bag  
322591-001  
19" x 16" x 42" LRG  
.003 THKLDPE  
CLEAR

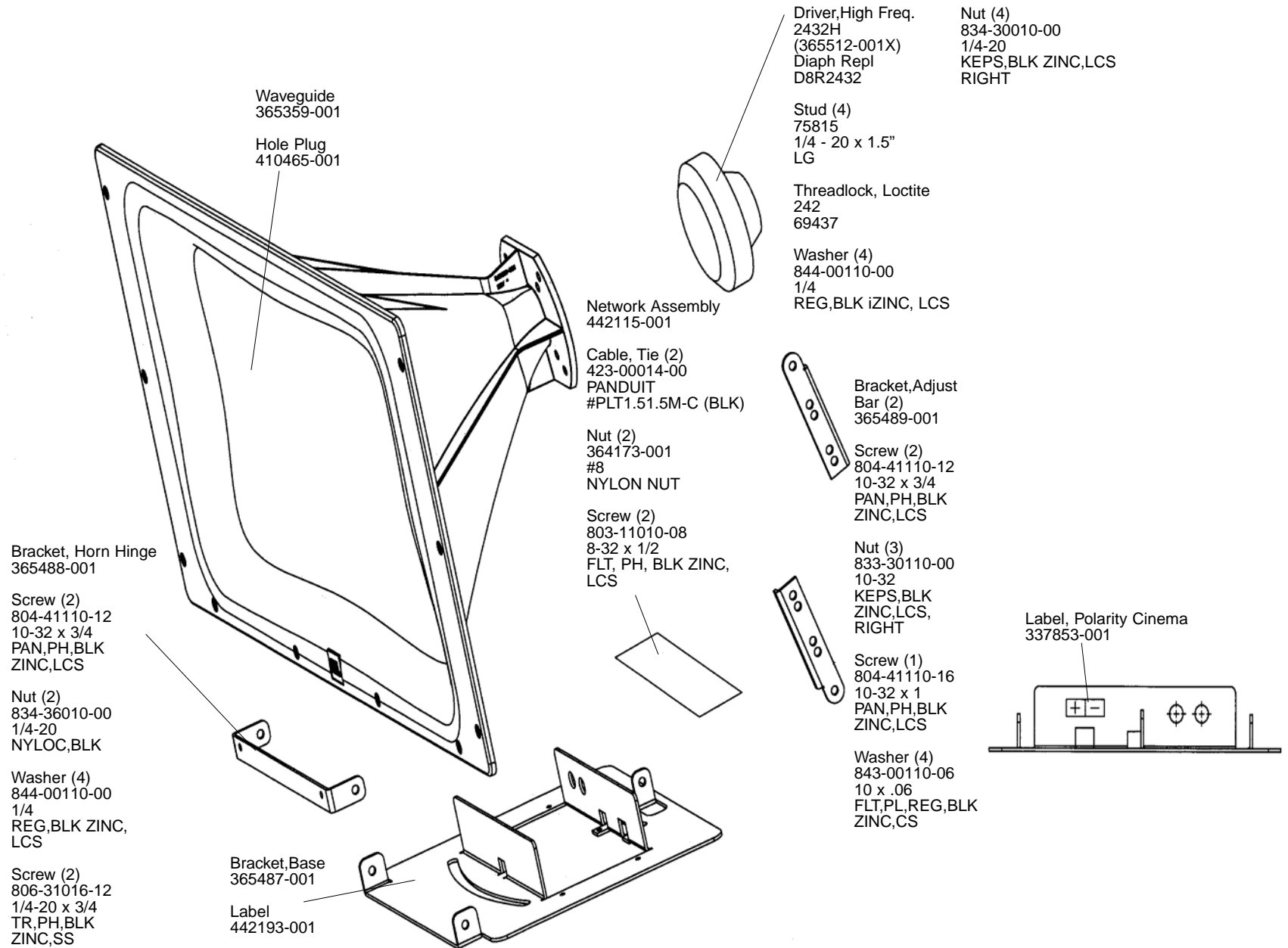
## WIRING DIAGRAM

Driver, High Freq.  
2432H  
(365512-001X)  
Diaph Repl  
D8R2432

NOTE: INDIVIDUAL PARTS FOR THE ABOVE CROSSOVER ARE NOT AVAILABLE.  
A COMPLETE REPLACEMENT ASSEMBLY SHOULD BE ORDERED.

# JBL 4722-HF

## COMPONENT EXPLODED VIEW



JBL 4722-HF