

Technical Manual



JBL4676B-2

SPECIFICATIONS

ACOUSTIC & ELECTRICAL SPECIFICATIONS:

- Nominal Impedance: 8 ohm
- Power Capacity: Continuous Pink Noise: 300W
Continuous Program: 600W
- Frequency Range: 40 Hz to 20 kHz
- Sensitivity: 109 dB SPL*
- Crossover Frequencies: 500 Hz

SYSTEM COMPONENTS:

- Cabinet: C4550BKA
- Grille: N/A
- Low Frequency Transducer: 380mm (15 in.) Cone Transducer (2), 2225J

*1 Watt (2.83 V RMS) @ 1 Meter

SYSTEM COMPONENTS: (cont'd)

- High Frequency Transducer: 100mm (4 in.) Pure Titanium Diaphragm, 2445J
- Crossover Network: 3160

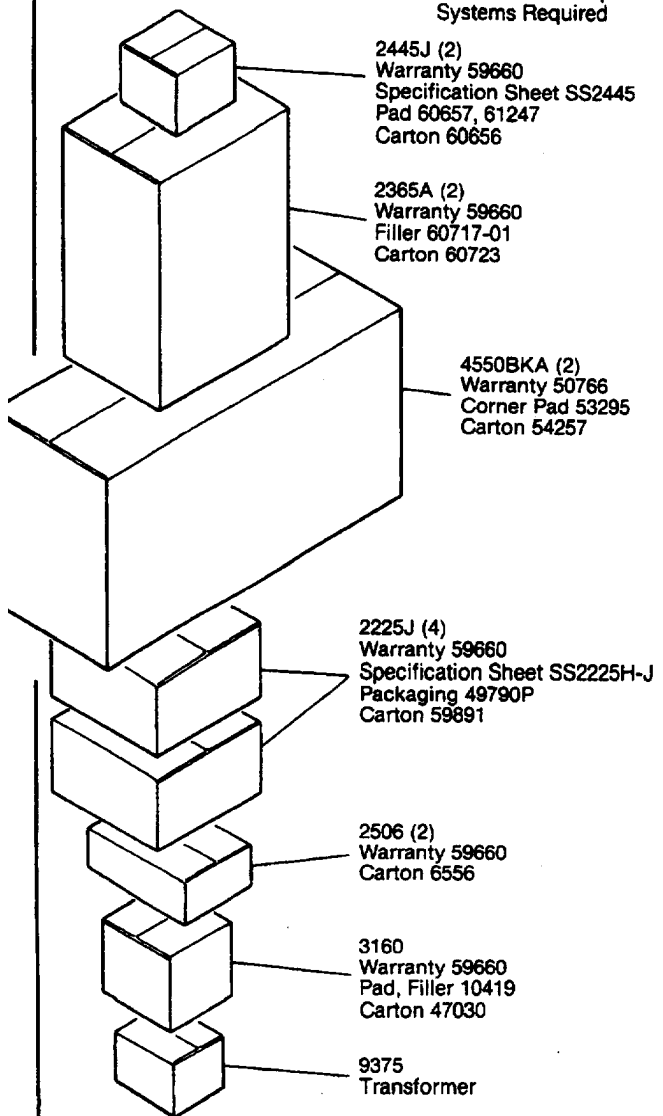
PHYSICAL SPECIFICATIONS:

- Enclosure Dimensions: 2600mm x 1524mm x 949mm D (102.37 x 60.0 x 37.37 in. D)
- Shipping Weight: 610 lbs. (276.6 kg.)

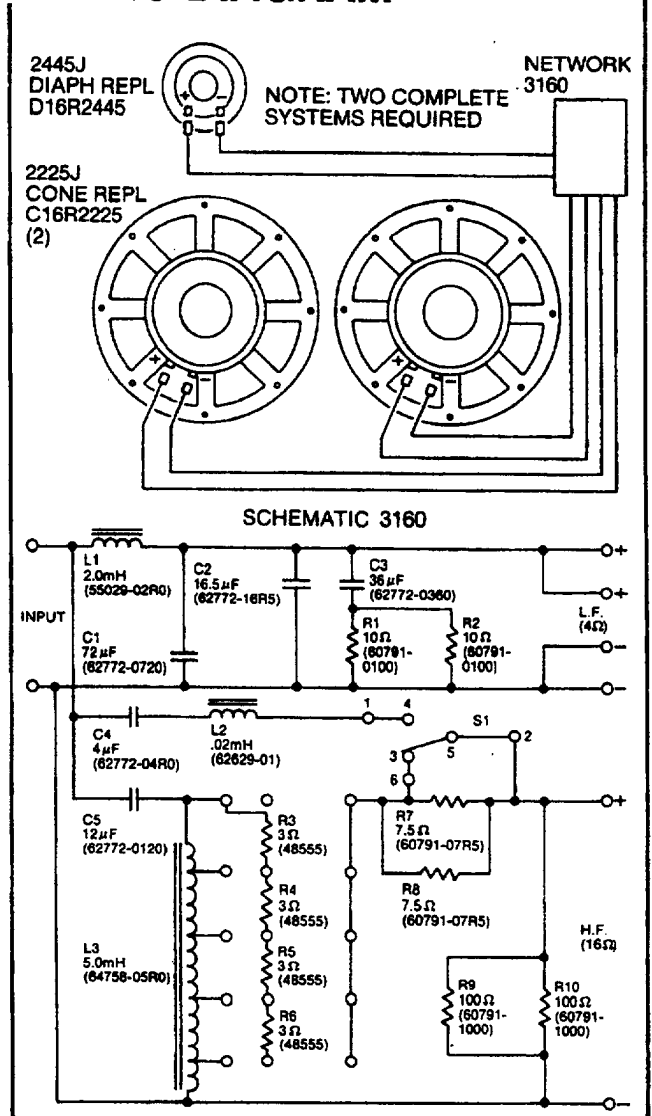
WARRANTY INFORMATION:

- Refer to the Warranty Statement packed with each product.
- NOTE: Two complete systems required.

PACKAGE



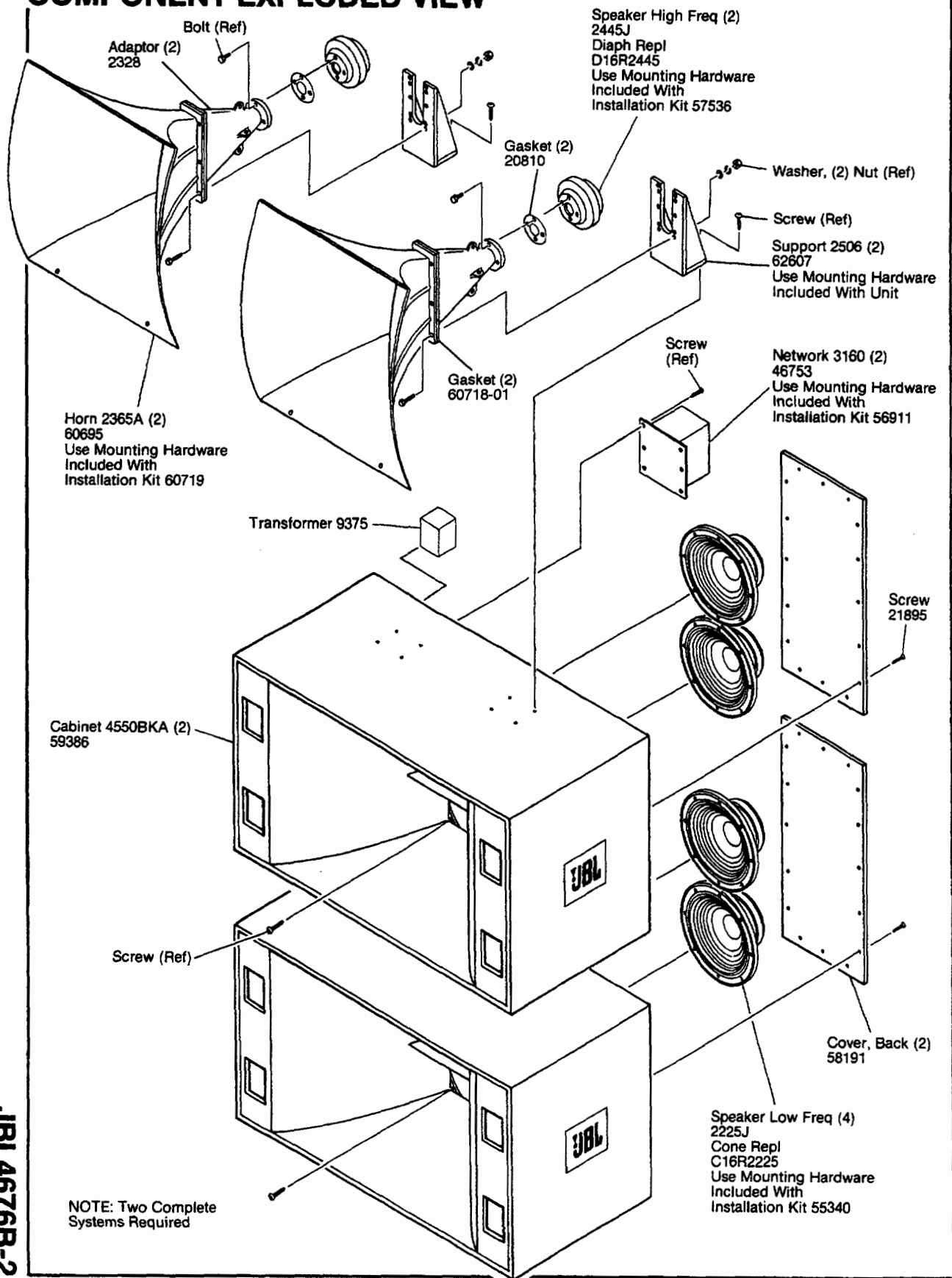
WIRING DIAGRAM



JBL4676B-2 REV C

JBL4676B-2

COMPONENT EXPLODED VIEW



JBL4676B-2