

Technical Manual

JBL4676B-1

SPECIFICATIONS



ACOUSTIC & ELECTRICAL SPECIFICATIONS:

- Nominal Impedance: 8 ohm
- Power Capacity: Continuous Pink Noise: 300W
Continuous Program: 600W
- Frequency Range: 40 Hz to 20 kHz
- Sensitivity: 106 dB SPL*
- Crossover Frequencies: 500 Hz

SYSTEM COMPONENTS:

- Cabinet: C4550BKA
- Grille: N/A
- Low Frequency Transducer: 380mm (15 in.) Cone Transducer (2), 2225H

SYSTEM COMPONENTS: (cont'd)

- High Frequency Transducer: 100mm (4 in.) Pure Titanium Diaphragm, 2445J
- Crossover Network: 3160

PHYSICAL SPECIFICATIONS:

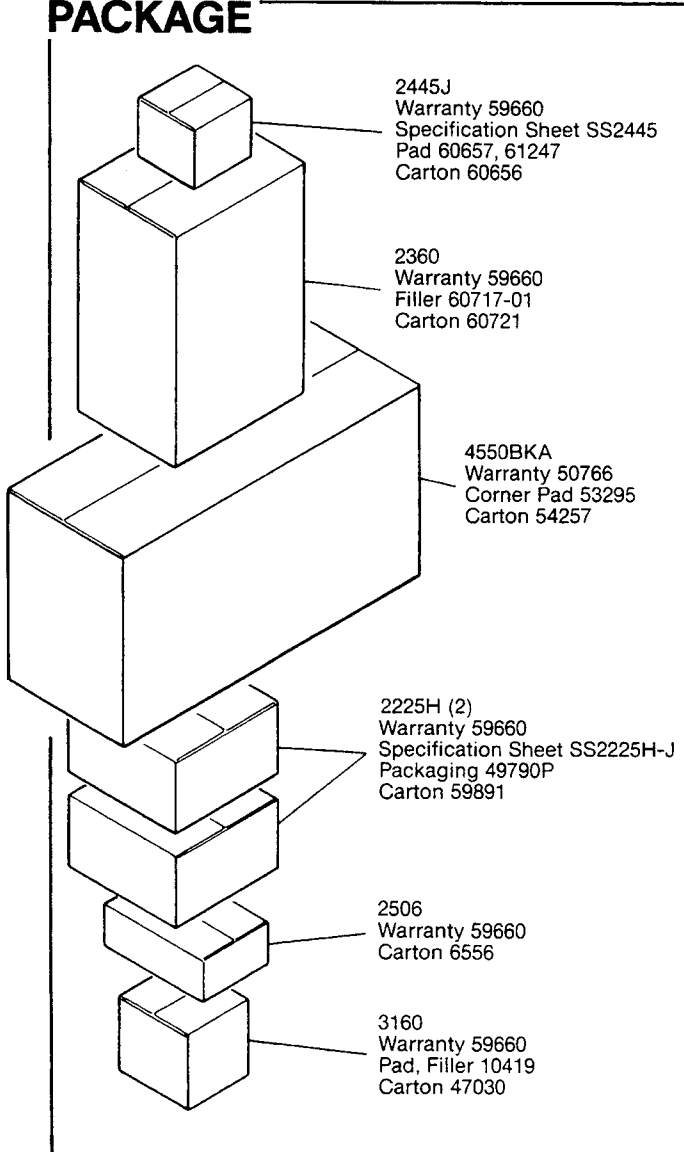
- Enclosure Dimensions: 1686mm x 1524mm x 949mm D (66.37 x 60.0 x 37.37 in. D)
- Shipping Weight: 311 lbs. (141 kg.)

WARRANTY INFORMATION:

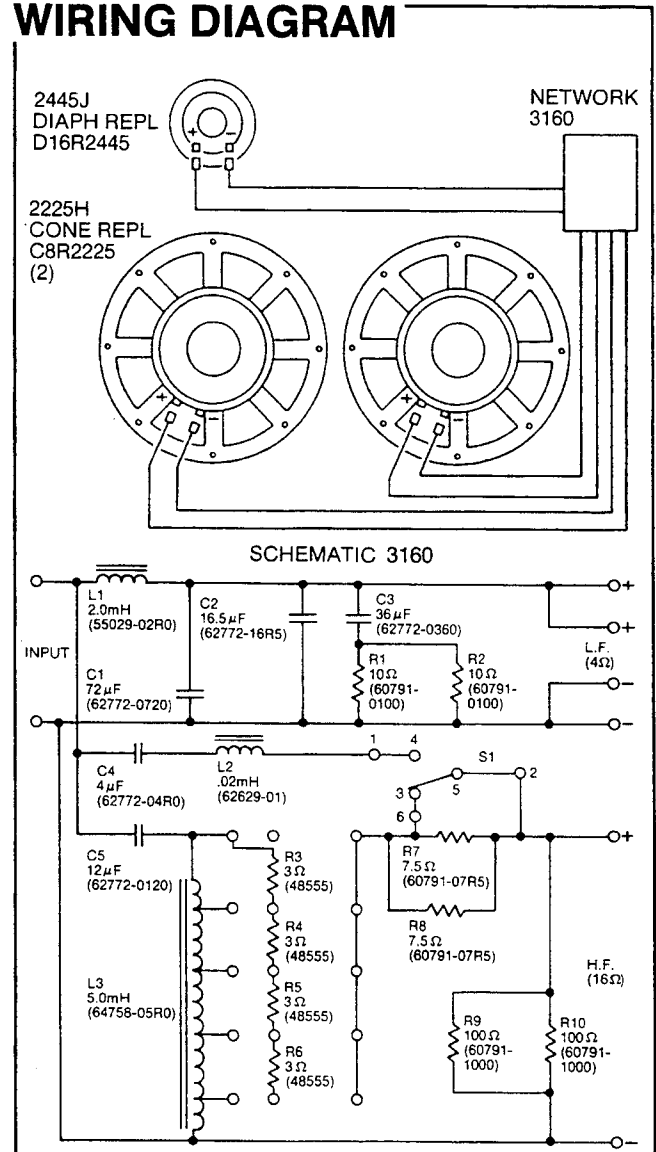
- Refer to the Warranty Statement packed with each product.

*1 Watt (2.83 V RMS) @ 1 Meter

PACKAGE



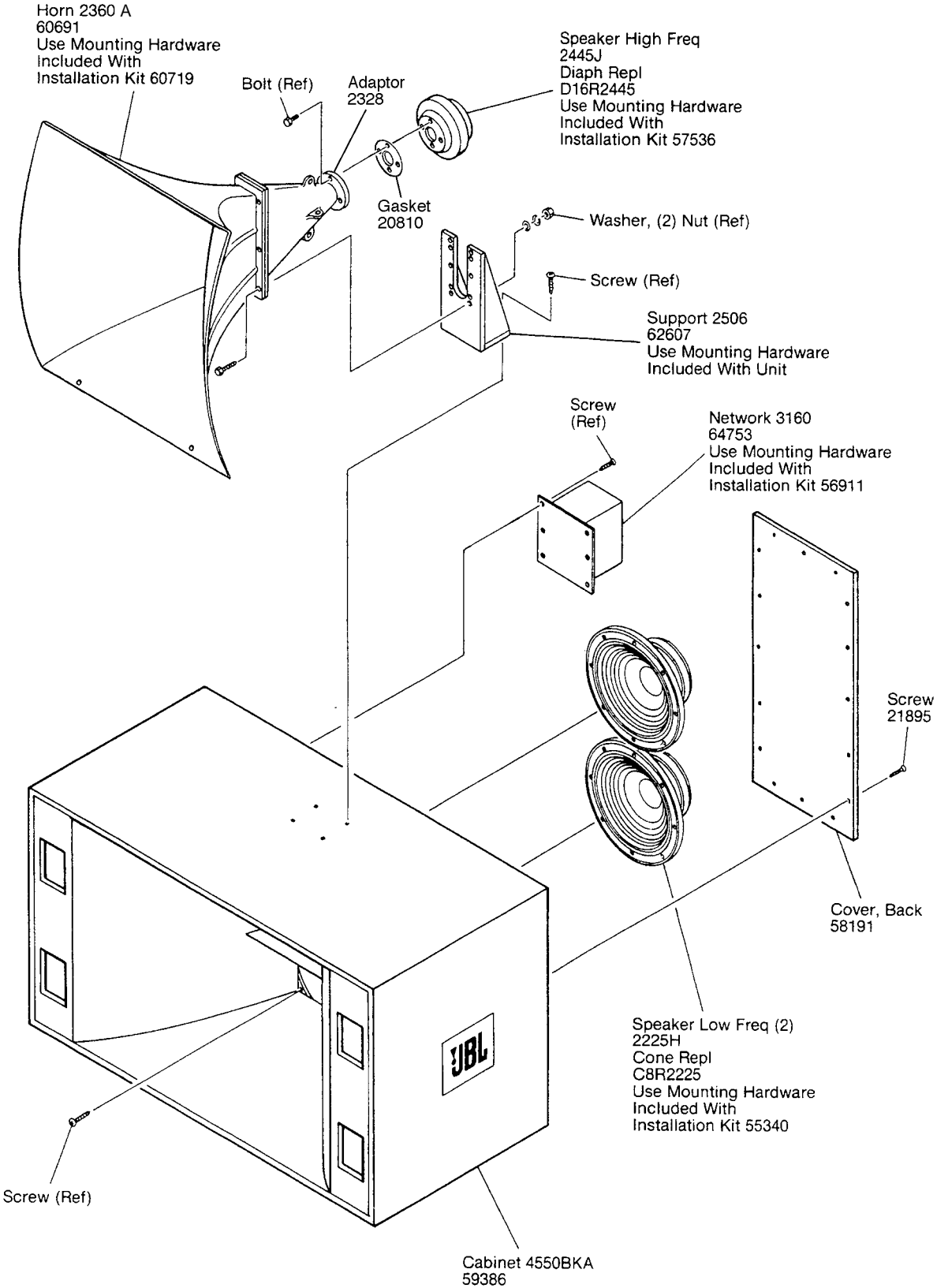
WIRING DIAGRAM



JBL4676B-1 REV D

JBL4676B-1

COMPONENT EXPLODED VIEW



JBL4676B-1