

Technical Manual



JBL 4675C-HFA

SPECIFICATIONS

- Nominal Impedance: 8 ohm
- High Frequency Transducer: 2446H 100mm (4in.) Pure Titanium Diaphragm (D8R2450)
- DC Resistance: 4.1 ohm \pm 8% Aluminum Wire
- Horn: 2360B Bi-Radial Horn
- Bracket: 2506C Adjustable Bracket

AURAL SWEEP TEST SPECIFICATIONS:

- H.F. Aural Sweep Test: 2.83V Input, 500 Hz to 1.2 kHz (H)

PHYSICAL SPECIFICATIONS:

- Dimensions: 940mm x 795mm x 795mm D
H x W x D
(37in. x 31-1/3in. x 31-1/3in.)
- Net Shipping Weight: 96 lbs. (43.6 kg)
- Shipping Weight: 100 lbs. (48.2 kg)

WARRANTY INFORMATION:

- Refer to the Warranty Statement packed with each product.

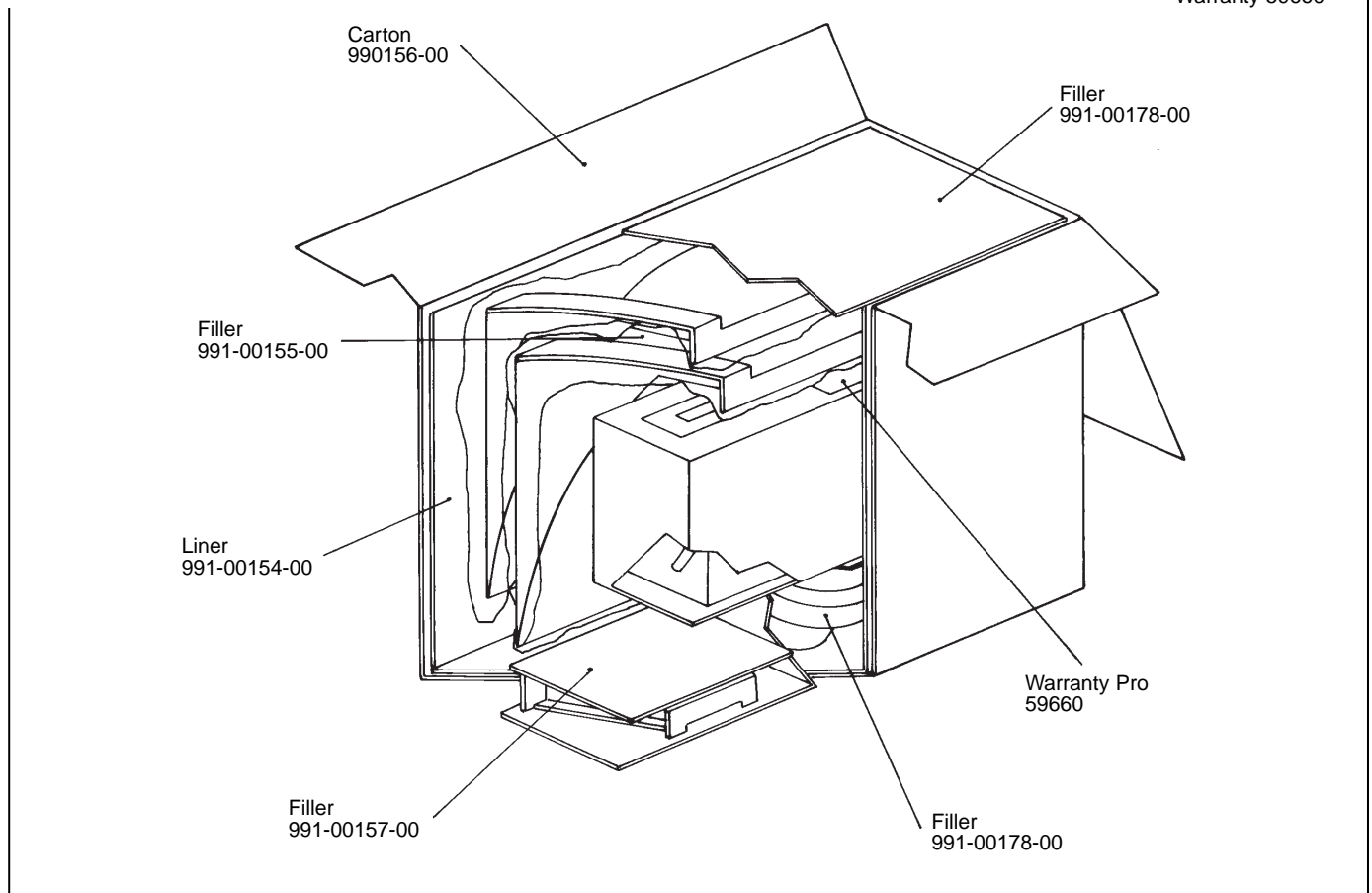
179-00014-00 INSTALLATION KIT PARTS LIST

ITEM NO.	PART NO.	QTY	DESCRIPTION
1	705-31010-16	14	1/4-20 x 1 TR, PH, BLK
2	804-00010-00	6	1/4-20, NUT, BLK
3	844-00110-06	26	1/4 FLAT WASHER, BLK
4	844-03110-08	10	1/4 SPLIT LOCK WASHER, BLK
5	794-00301-16	4	1/4-20 X 1" HEX BOLT, ZINC, FULL LENGTH THREAD
6	705-31010-24	6	1/4-20 X 1 1/2" TR, PH, BLK
7	TBD	1	POLY BAG
8	990-00166-00	1	CARTON
9	980-00043-00	1	INSTRUCTION SHEET 2360
10	N/A	0.5	TAPE
11	179-00014-00	1	HARWARE KIT

HARDWARE KIT for 2360B

PACKAGE

Warranty 59660



JBL4675C-HFA REV E

JBL4675C-HFA

COMPONENT EXPLODED VIEW

