

Technical Manual



JBL4675A-4LF

SPECIFICATIONS

ACOUSTIC & ELECTRICAL SPECIFICATIONS:

- Nominal Impedance: 4 ohm
- Power Capacity: Continuous Pink Noise: 300W
Continuous Program: 600W
- Frequency Range: 35 Hz to 20 kHz
- Sensitivity: 100 dB SPL*
- Crossover Frequencies: 500 Hz

SYSTEM COMPONENTS:

- Cabinet: C4508
- Grille: N/A
- Low Frequency Transducer: 380mm (15 in.) Cone Transducer (2), 2225H

SYSTEM COMPONENTS: (cont'd)

- High Frequency Transducer: 100mm (4 in.) Pure Titanium Diaphragm, 2445J
- Crossover Network: 3160

PHYSICAL SPECIFICATIONS:

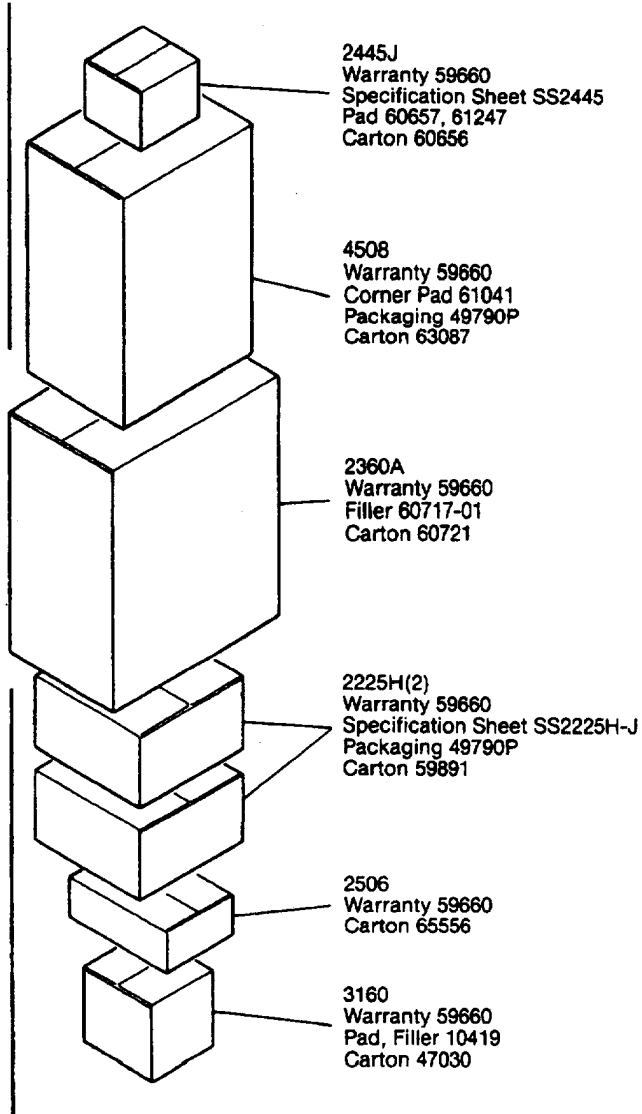
- Enclosure Dimensions: 1797mm x 770mm x 949mm D
(70.75 x 30.31 x 37.37 in. D)
- Shipping Weight: 215 lbs. (97.5 kg.)

WARRANTY INFORMATION:

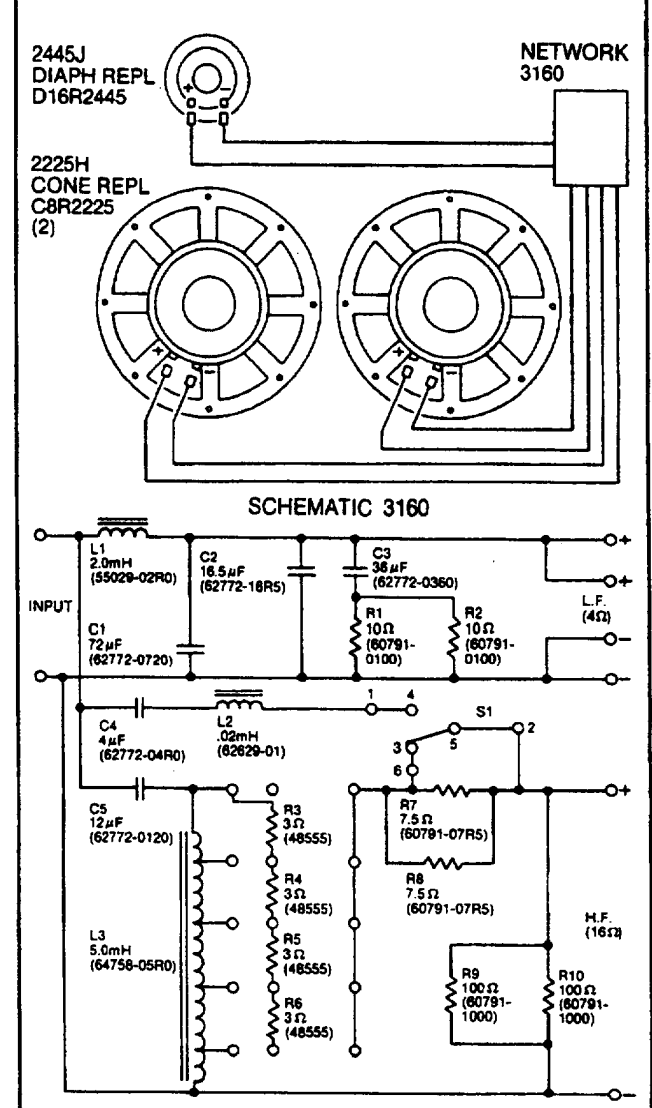
- Refer to the Warranty Statement packed with each product.

*1 Watt (2.83 V RMS) @ 1 Meter

PACKAGE



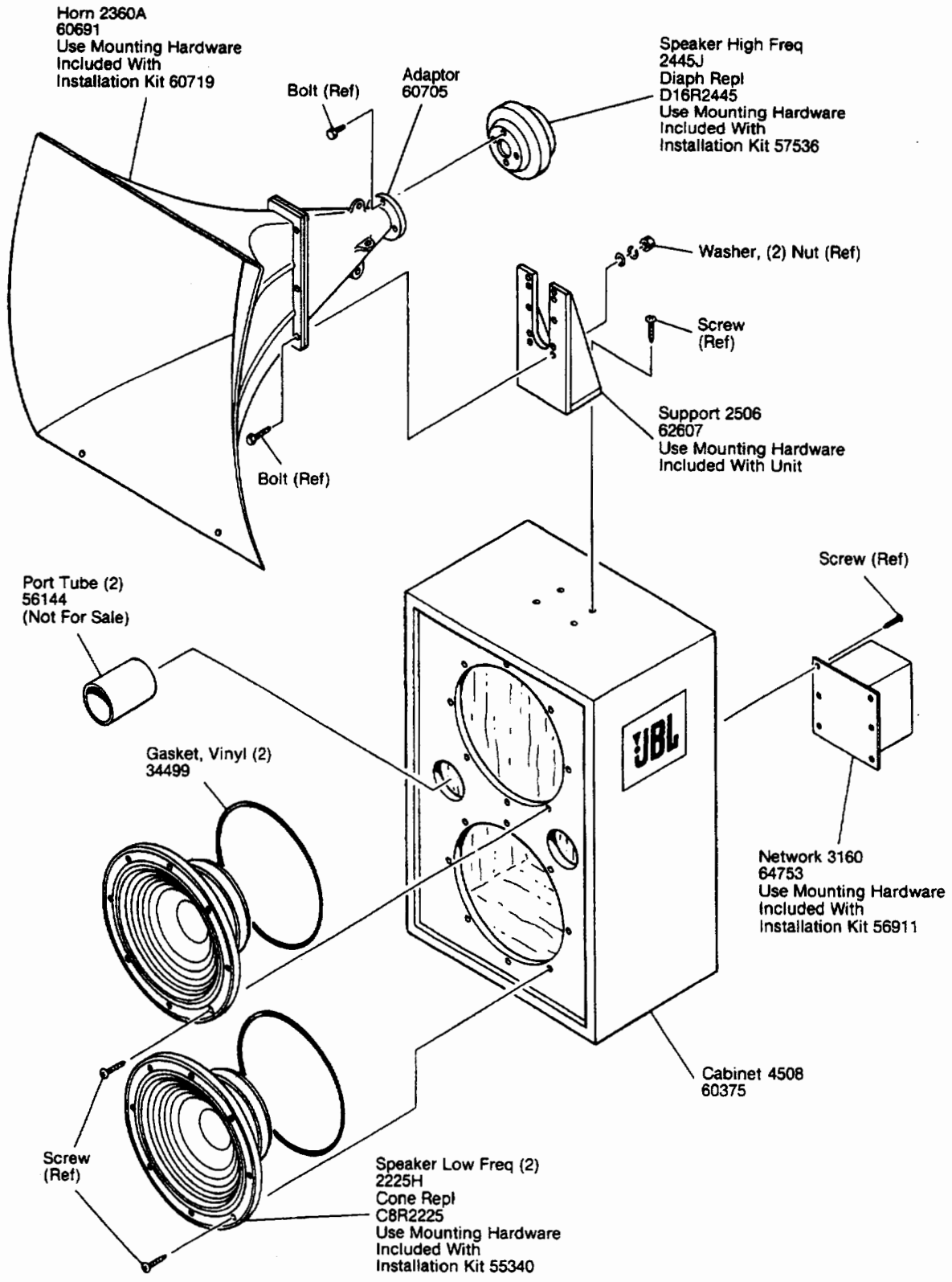
WIRING DIAGRAM



JBL4675A-4LF REV C

JBL4675A-4LF

COMPONENT EXPLODED VIEW



JBL4675A-4LF