

Technical Manual



JBL4674

SPECIFICATIONS

ACOUSTIC & ELECTRICAL SPECIFICATIONS:

- Nominal Impedance: 8 ohm
- Power Capacity: Continuous Program: 300W
- Frequency Range: 45 Hz to 15 kHz
- Sensitivity: 101 dB SPL*
- Crossover Frequencies: 500 Hz

SYSTEM COMPONENTS:

- Cabinet: C4560BKA
- Grille: N/A
- Low Frequency Transducer: 380mm (15 in.) Cone Transducer (2225H)

*1 Watt (2.83 V RMS) @ 1 Meter

SYSTEM COMPONENTS: (cont'd)

- High Frequency Transducer: 100mm (4 in.) Aluminum Diaphragm Compression Driver (2441)
- Crossover Network: 3115, 2 Way System

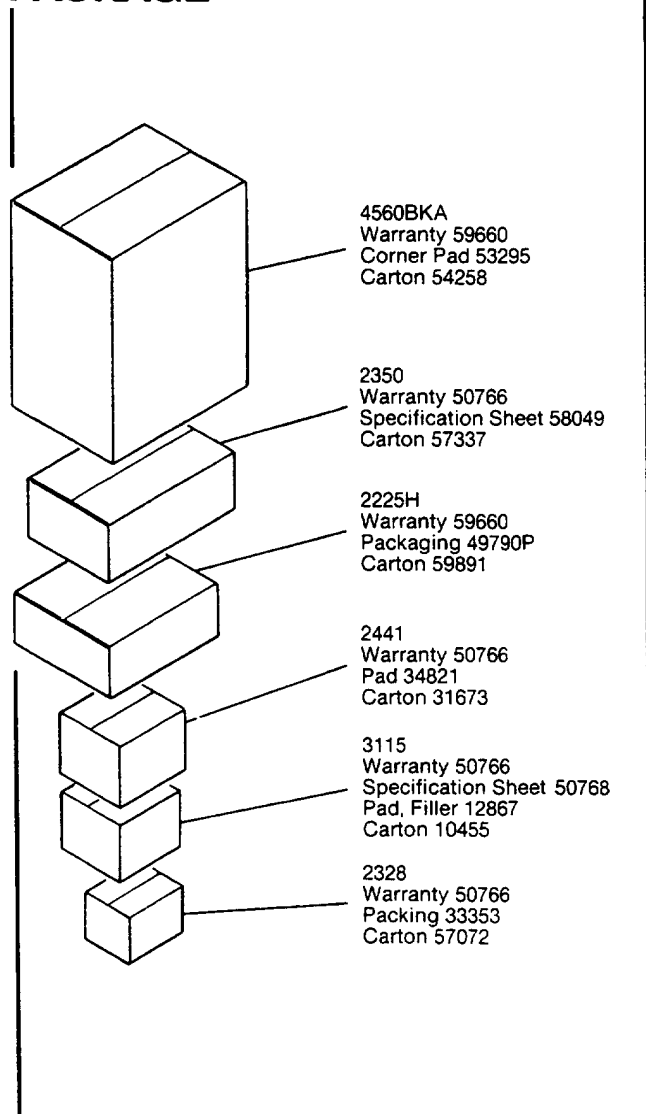
PHYSICAL SPECIFICATIONS:

- Enclosure Dimensions: 1174mm x 803mm x 742mm D (44.0 x 31.62 x 29.25 in. D)
- Shipping Weight: 173 lbs. (78.4 kg.)

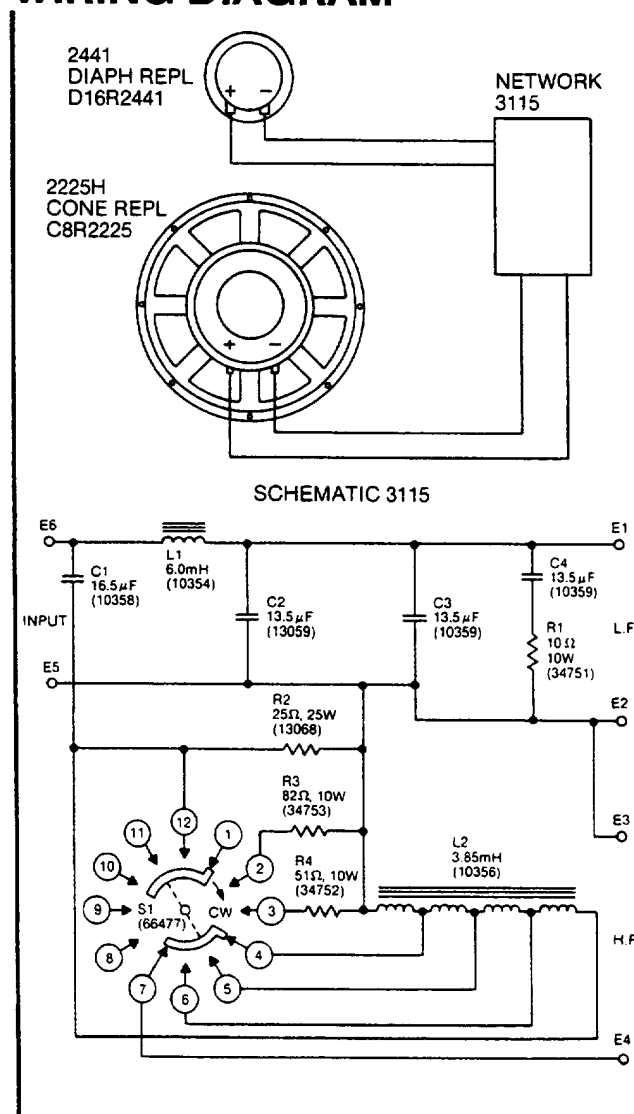
WARRANTY INFORMATION:

- Refer to the Warranty Statement packed with each product.

PACKAGE



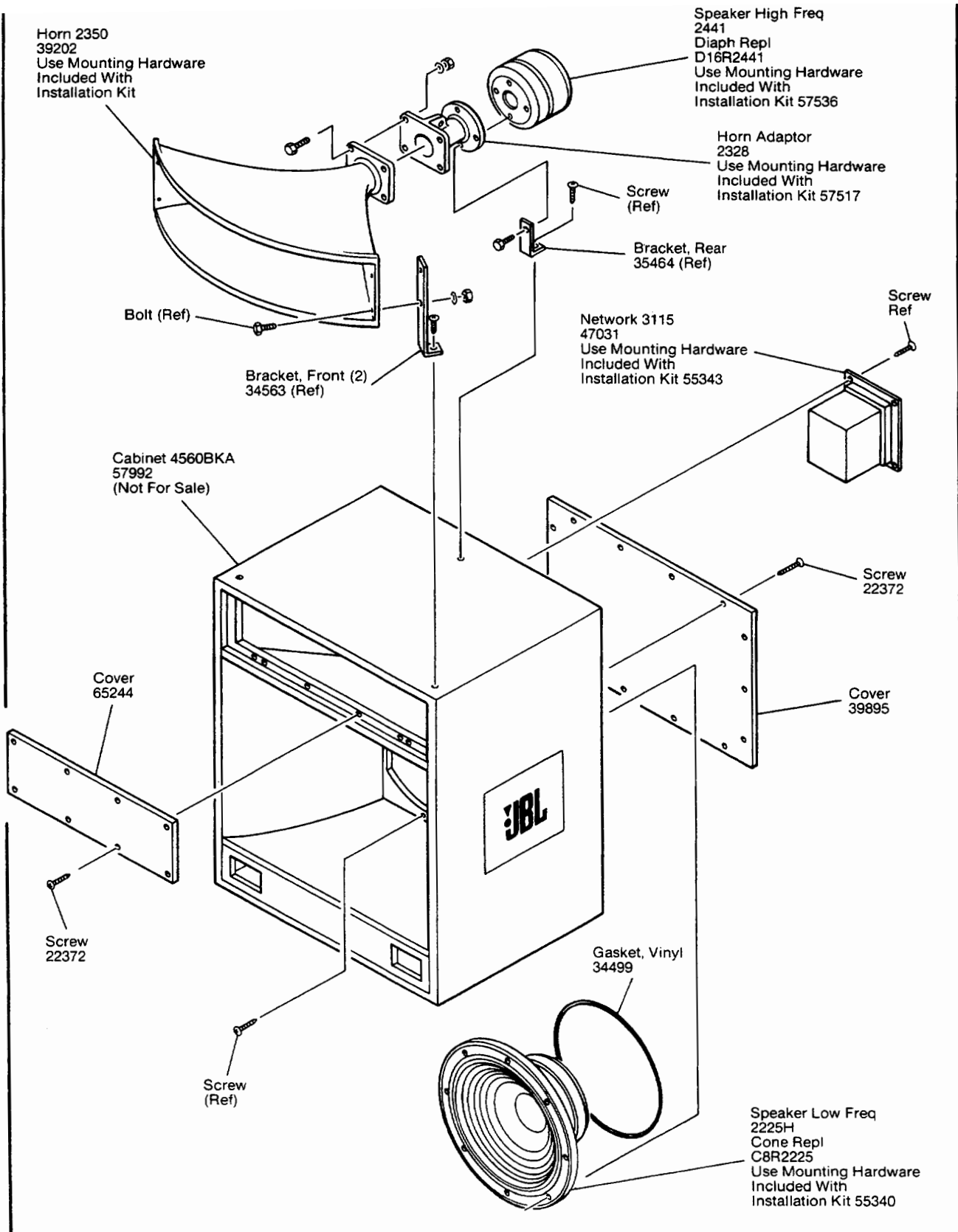
WIRING DIAGRAM



JBL4674 REV B

JBL4674

COMPONENT EXPLODED VIEW



JBL4674