

# Technical Manual

# JBL4673B

## SPECIFICATIONS



### ACOUSTIC & ELECTRICAL SPECIFICATIONS:

- Nominal Impedance: 8 ohm
- Power Capacity: Continuous Pink Noise: 150W  
Continuous Program: 300W
- Frequency Range: 40 Hz to 20 kHz (-10 dB)
- Sensitivity: 97 dB SPL\*
- Crossover Frequencies: 500 Hz

### SYSTEM COMPONENTS:

- Cabinet: C4507
- Grille: N/A
- Low Frequency Transducer: 380mm (15 in.) Cone Transducer (2035HPL)

\*1 Watt (2.83 V RMS) @ 1 Meter

### SYSTEM COMPONENTS: (cont'd)

- High Frequency Transducer: 100mm (4 in.) Pure Titanium Diaphragm (2446J)
- Crossover Network: 3115A

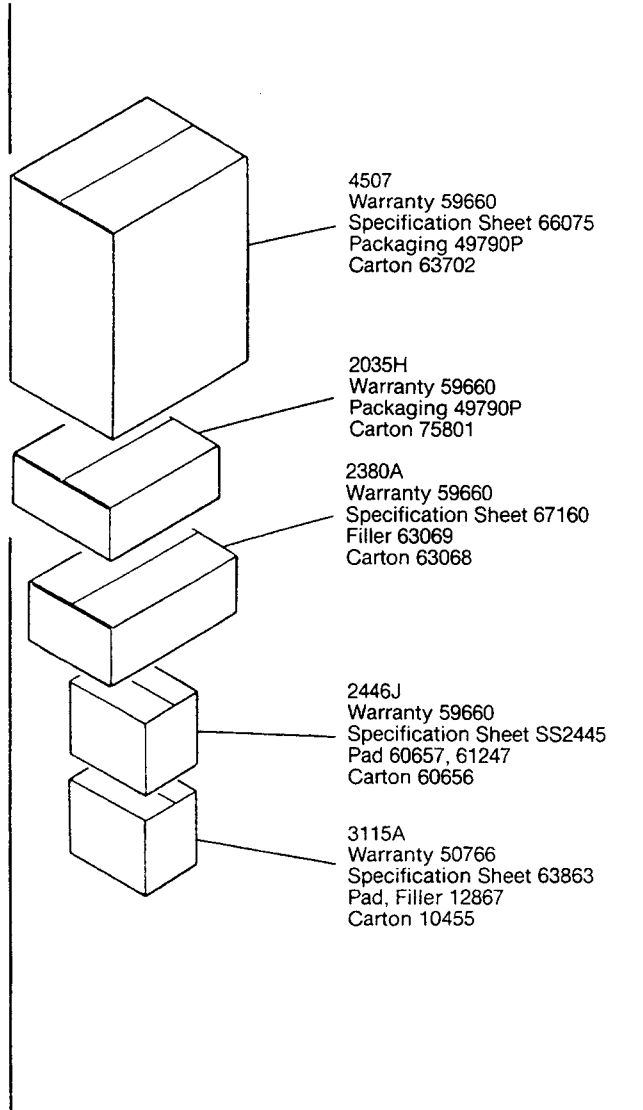
### PHYSICAL SPECIFICATIONS:

- Enclosure Dimensions: 546mm x 1054mm x 448mm D  
(41.5 x 21.5 x 17.62 in. D)
- Shipping Weight: 110 lbs. (49.8 kg.)

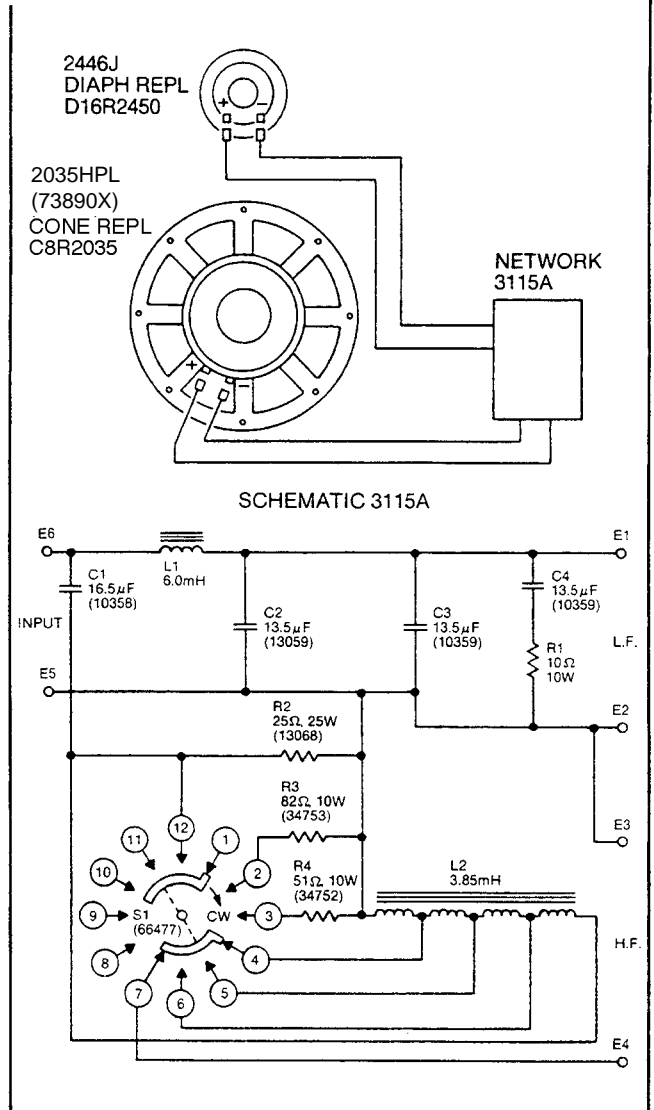
### WARRANTY INFORMATION:

- Refer to the Warranty Statement packed with each product.

## PACKAGE



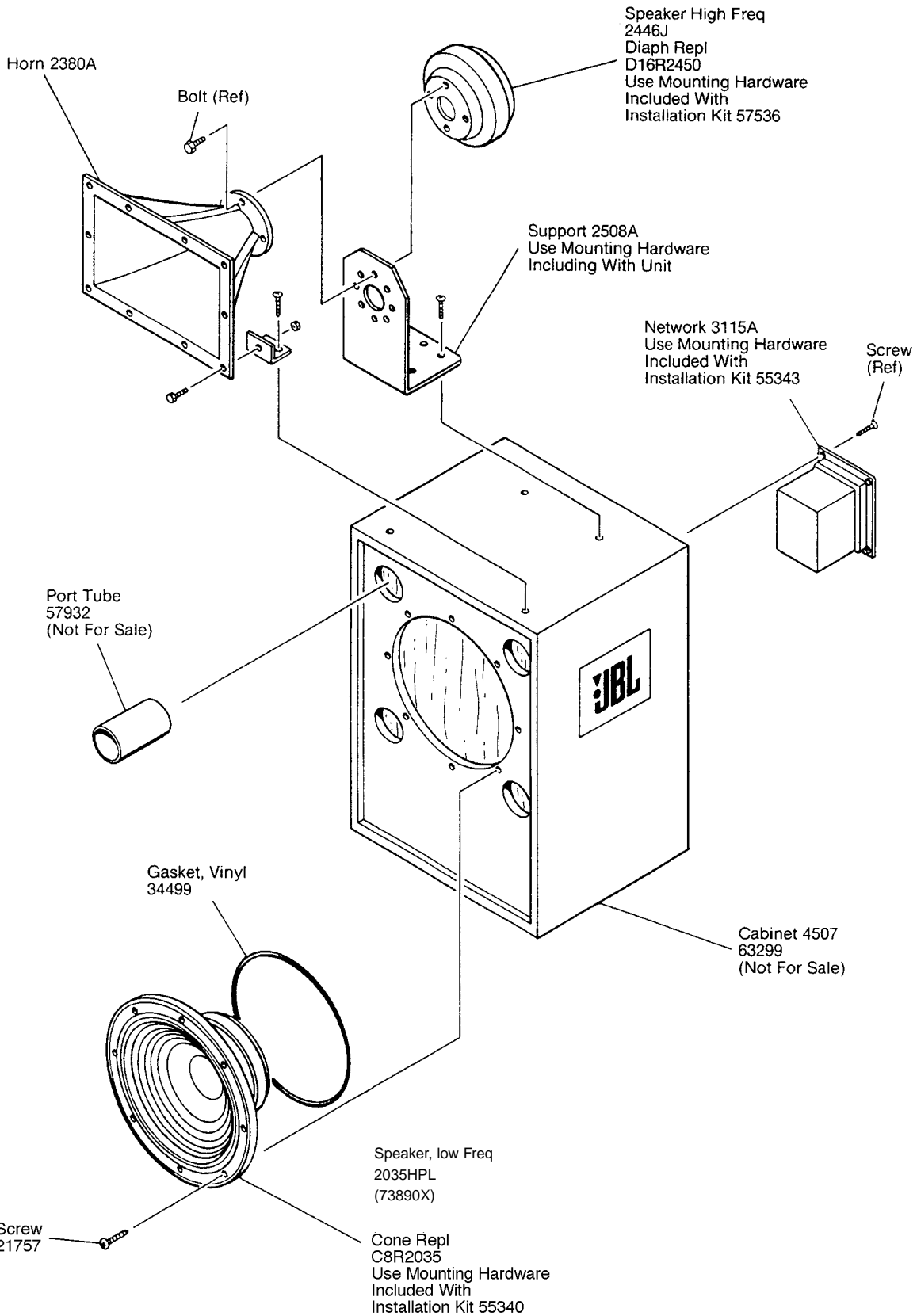
## WIRING DIAGRAM



JBL4673B REV D

# JBL4673B

## COMPONENT EXPLODED VIEW



JBL4673B