

Technical Manual



JBL4672A

SPECIFICATIONS

ACOUSTIC & ELECTRICAL SPECIFICATIONS:

- Nominal Impedance: 8 ohm
- Power Capacity: Continuous Program: 300W
Continuous Pink Noise: 1500W
- Frequency Range: 45 Hz to 20 kHz
- Sensitivity: 103 dB SPL*
- Crossover Frequencies: 800 Hz

SYSTEM COMPONENTS:

- Cabinet: C4560BKA
- Grille: N/A

*1 Watt (2.83 V RMS) @ 1 Meter

SYSTEM COMPONENTS: (cont'd)

- Low Frequency Transducer: 380mm (15 in.) Cone Transducer (2225H)
- High Frequency Transducer: 44mm (1-3/4 in.) Titanium Compression Driver (2426J)
- Crossover Network: 3110A

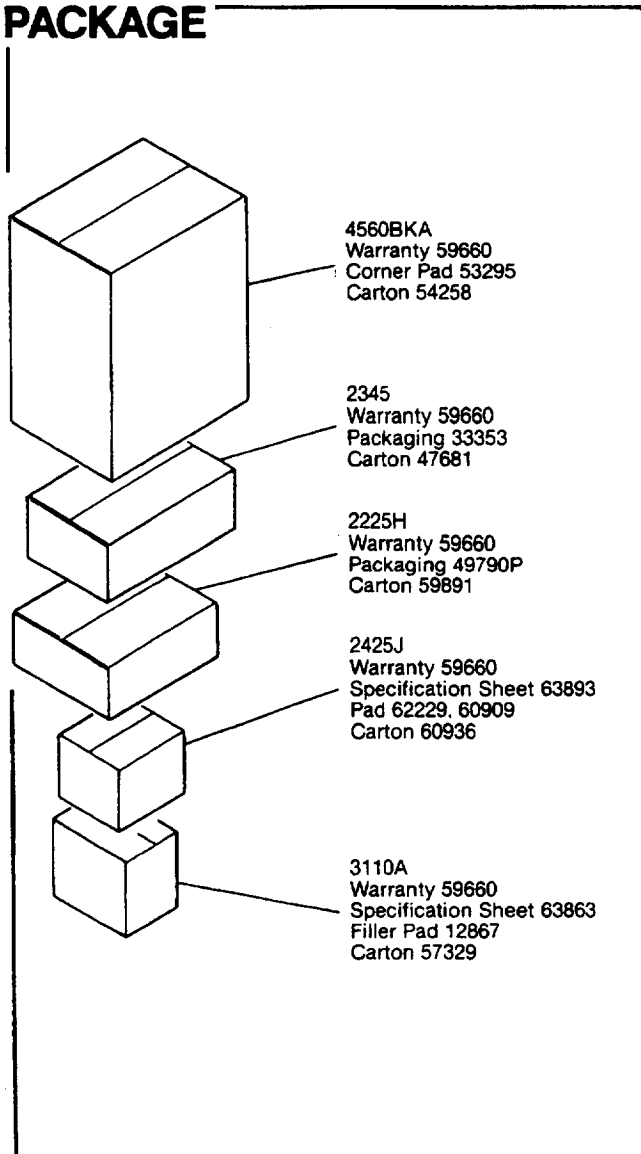
PHYSICAL SPECIFICATIONS:

- Enclosure Dimensions: 914mm x 762mm x 606mm D (36.0 x 30.0 x 23.87 in. D)
- Shipping Weight: 137 lbs. (62.1 kg.)

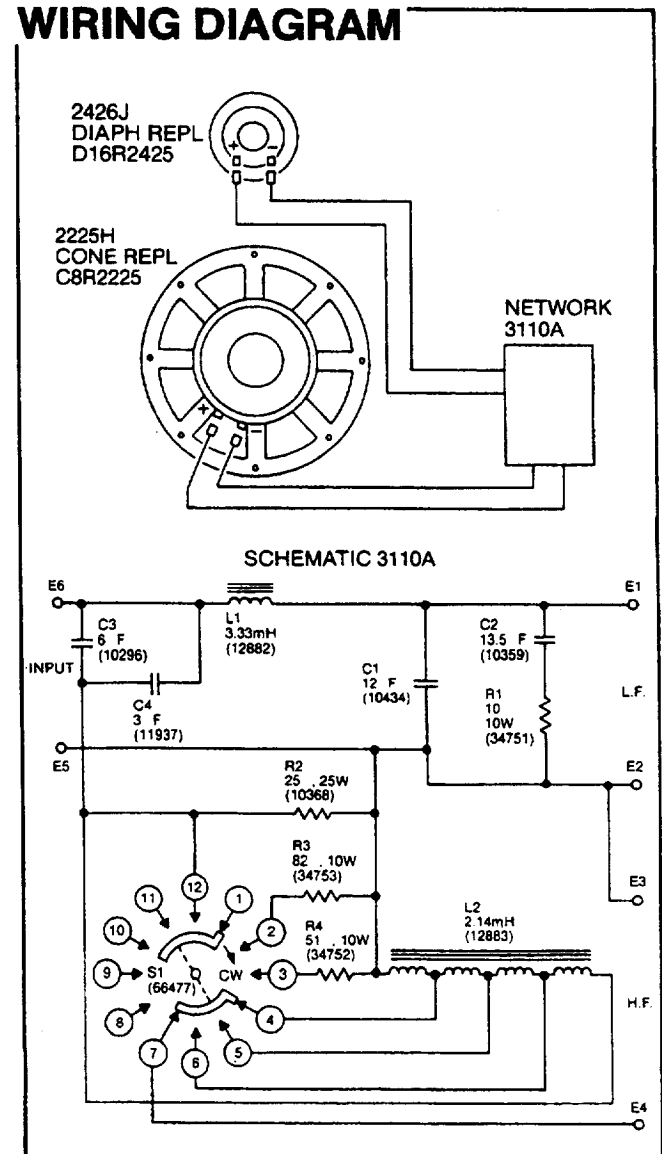
WARRANTY INFORMATION:

- Refer to the Warranty Statement packed with each product.

PACKAGE

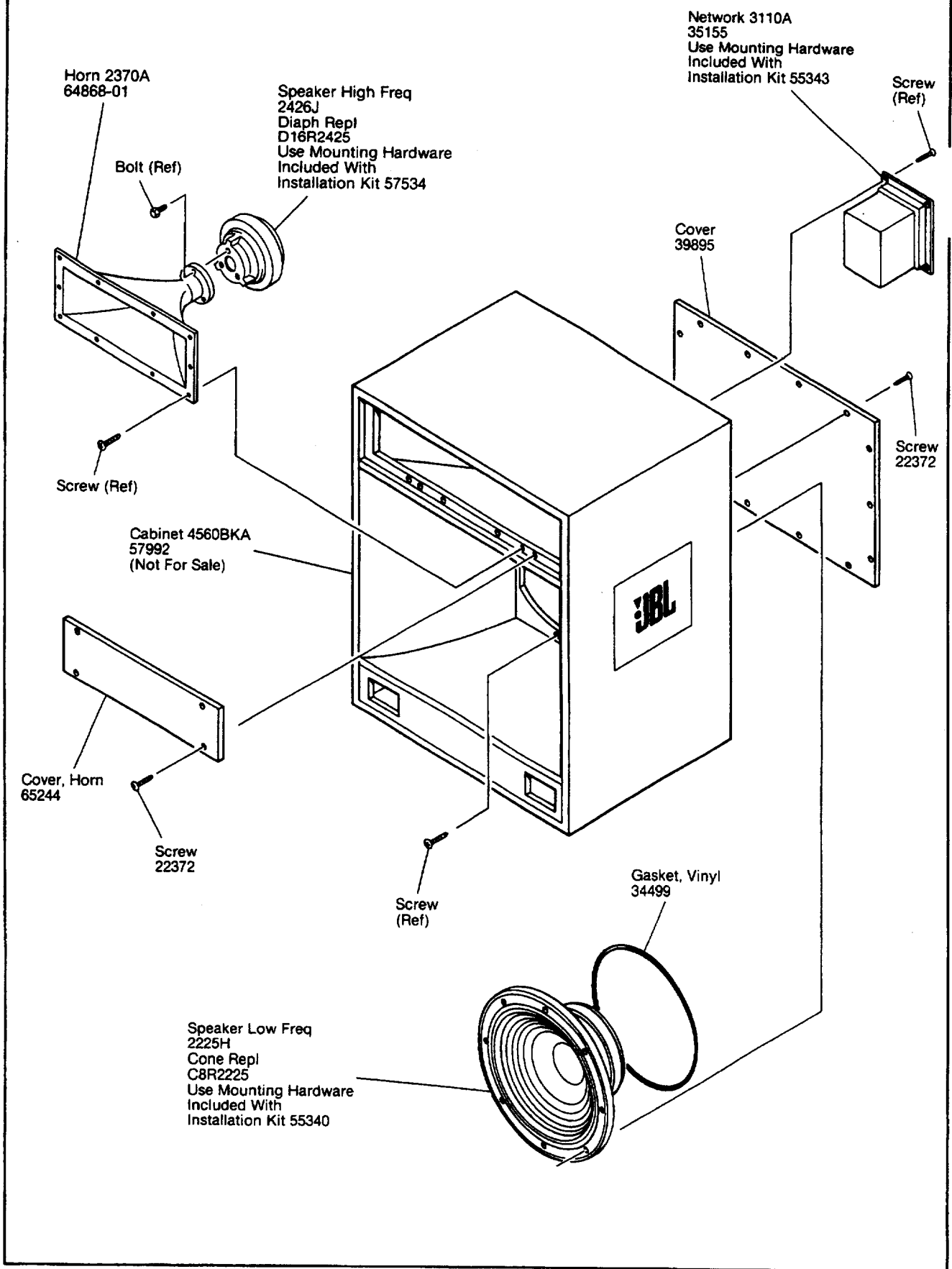


WIRING DIAGRAM



JBL4672A

COMPONENT EXPLODED VIEW



JBL4672A