

Technical Manual

JBL4671B

SPECIFICATIONS



ACOUSTIC & ELECTRICAL SPECIFICATIONS:

- Nominal Impedance: 8 ohm
- Power Capacity: Continuous Pink Noise: 150W
Continuous Program: 300W
- Frequency Range: 40 Hz to 20 kHz (-10dB)
- Sensitivity: 97 dB SPL*
- Crossover Frequency: 800 Hz

SYSTEM COMPONENTS:

- Cabinet: 4507
- Grille: N/A
- Low Frequency Transducer: 380mm (15 in.) Cone Transducer (2035H)

SYSTEM COMPONENTS (cont'd)

- High Frequency Transducer: 44mm (1.75 in.) Pure Titanium Diaphragm (2426J)
- Crossover Network: 3110A

PHYSICAL SPECIFICATIONS:

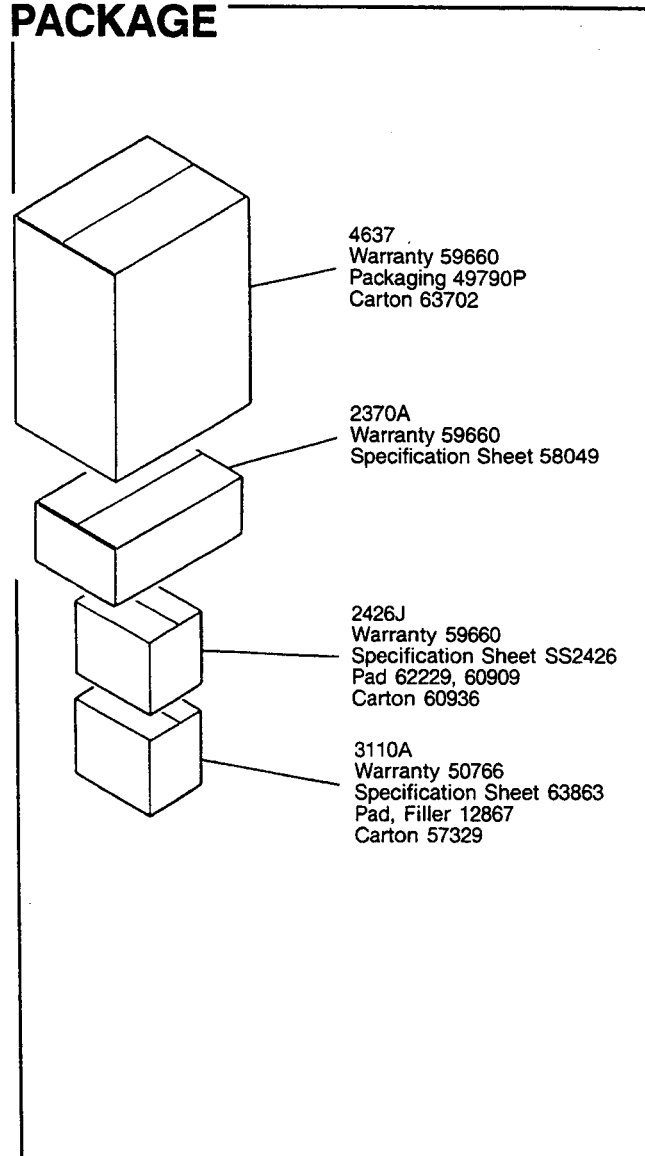
- Enclosure Dimensions: 948mm x 546mm x 448mm D (37.31 x 21.5 x 17.62 in. D)
- Shipping Weight: 85 lbs. (39 kg.)

WARRANTY INFORMATION:

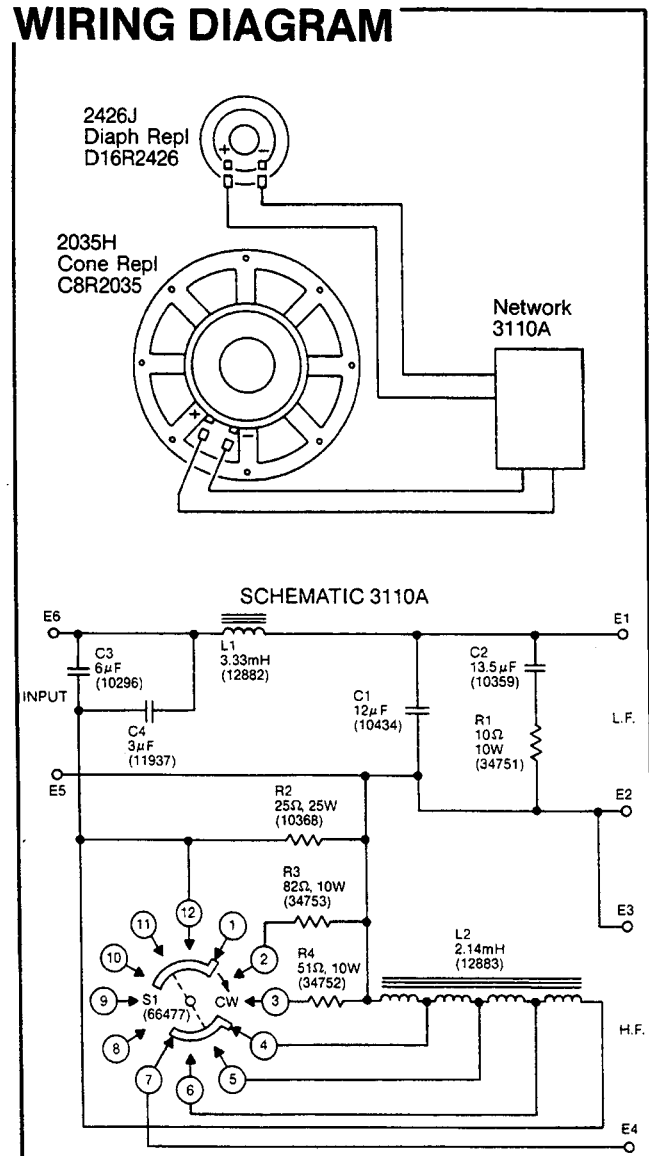
- Refer to the Warranty Statement packed with each product.

*1 Watt (2.83 V RMS) @ 1 Meter

PACKAGE



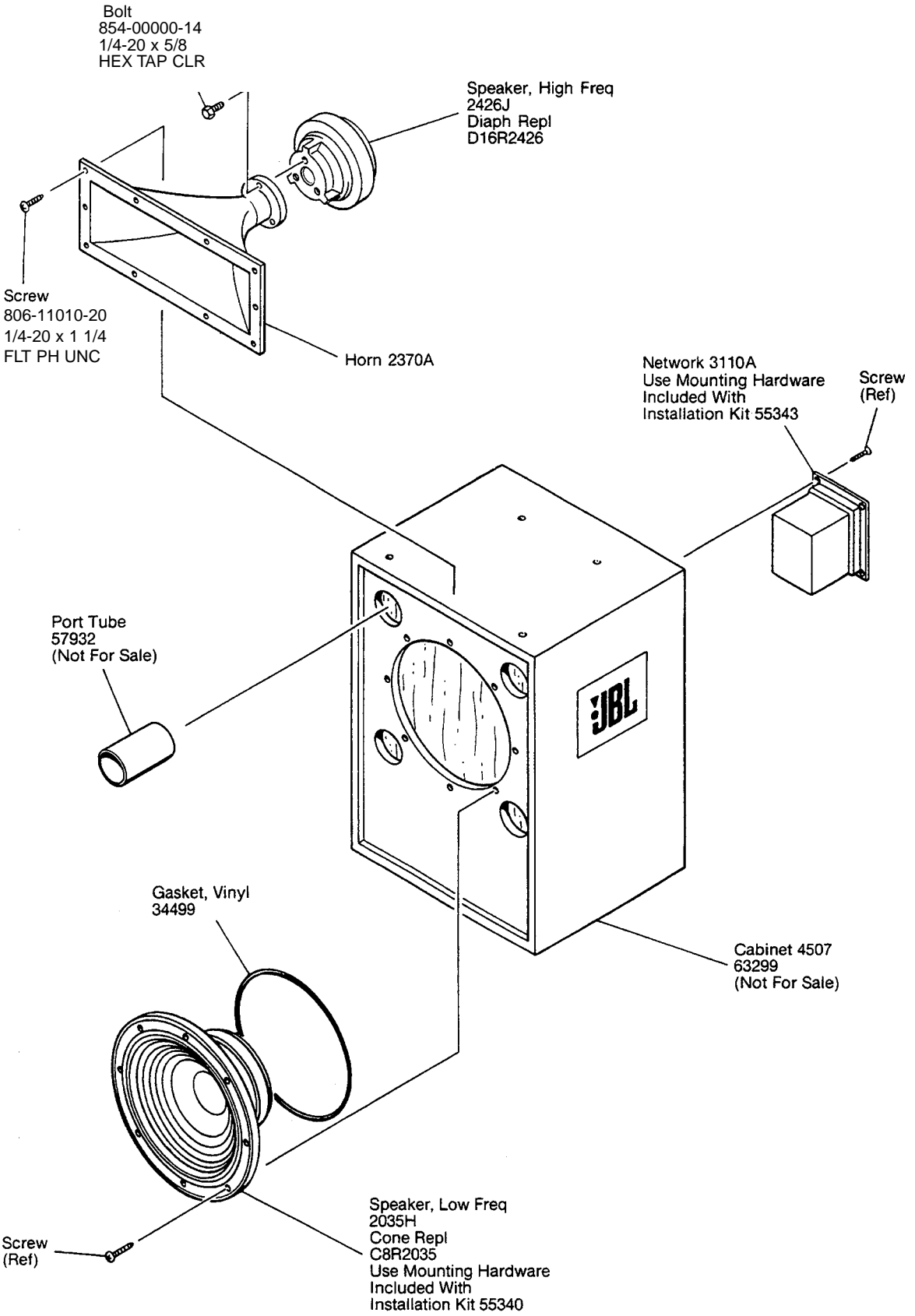
WIRING DIAGRAM



JBL4671B REV C

JBL4671B

COMPONENT EXPLODED VIEW



JBL4671B