

Technical Manual

JBL4671

ENCLOSED UTILITY SOUND REINFORCEMENT SYSTEM



SPECIFICATIONS

ACOUSTIC & ELECTRICAL SPECIFICATIONS:

- Nominal Impedance: 8 ohm
- Power Capacity: Continuous Pink Noise: 200W
- Frequency Range: 40 Hz to 16 kHz (± 4 dB)
- Sensitivity: 97 dB SPL*
- Crossover Frequencies: 800 Hz

SYSTEM COMPONENTS:

- Cabinet: C4671
- Grille: G4671
- Low Frequency Transducer: 380mm (15 in.) Cone Transducer

SYSTEM COMPONENTS: (cont'd)

- High Frequency Transducer: 44mm (1-3/4 in.) Pure Titanium Diaphragm Compression Driver
- Crossover Network: (3110A)

PHYSICAL SPECIFICATIONS:

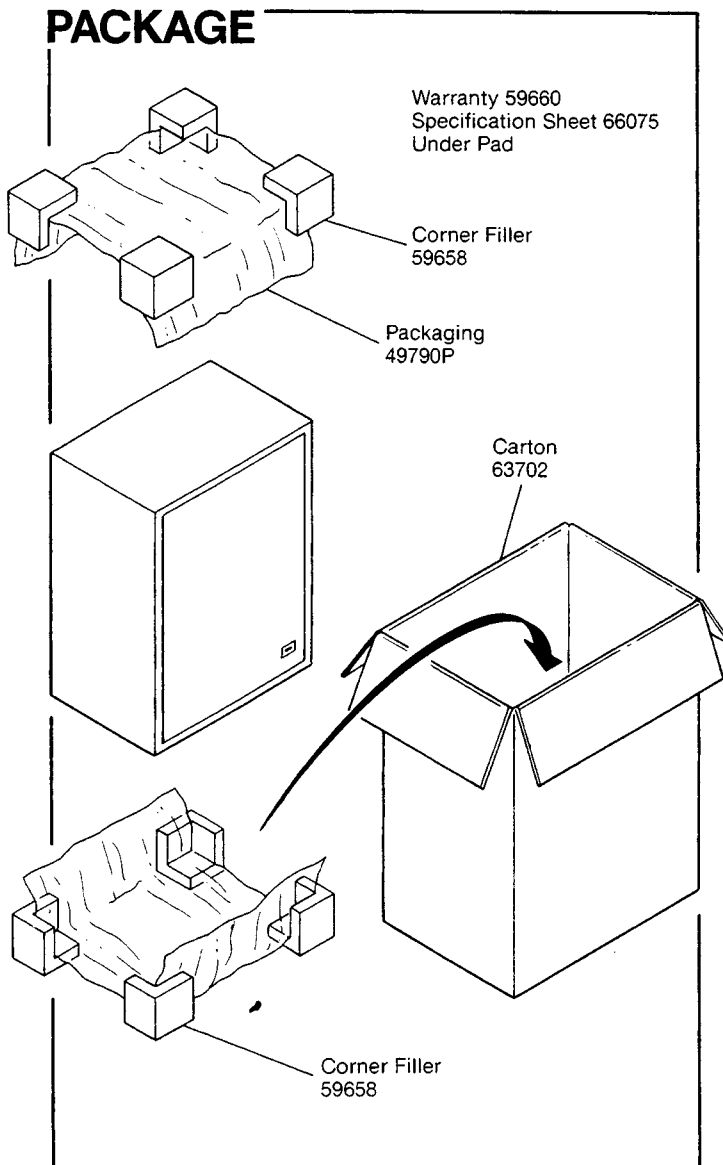
- Enclosure Dimensions: 775mm x 546mm x 448mm D (30.5 x 21.5 x 17.62 in. D)
- Shipping Weight: 103 lbs.

WARRANTY INFORMATION:

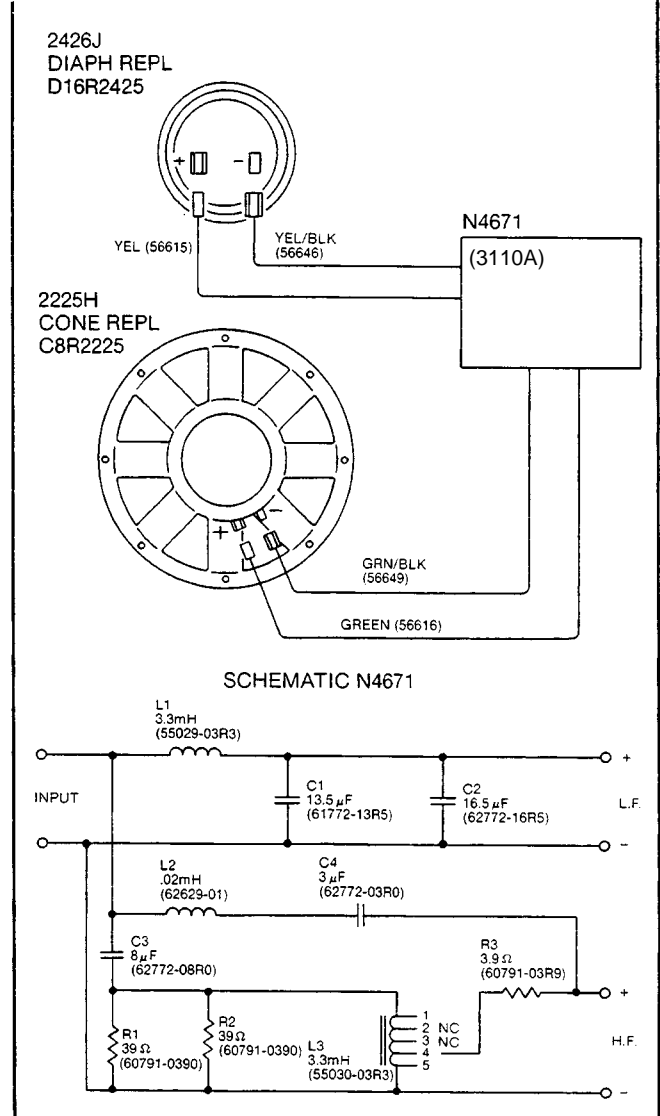
- Refer to the Warranty Statement packed with each product.

*1 Watt (2.83 V RMS) @ 1 Meter

PACKAGE



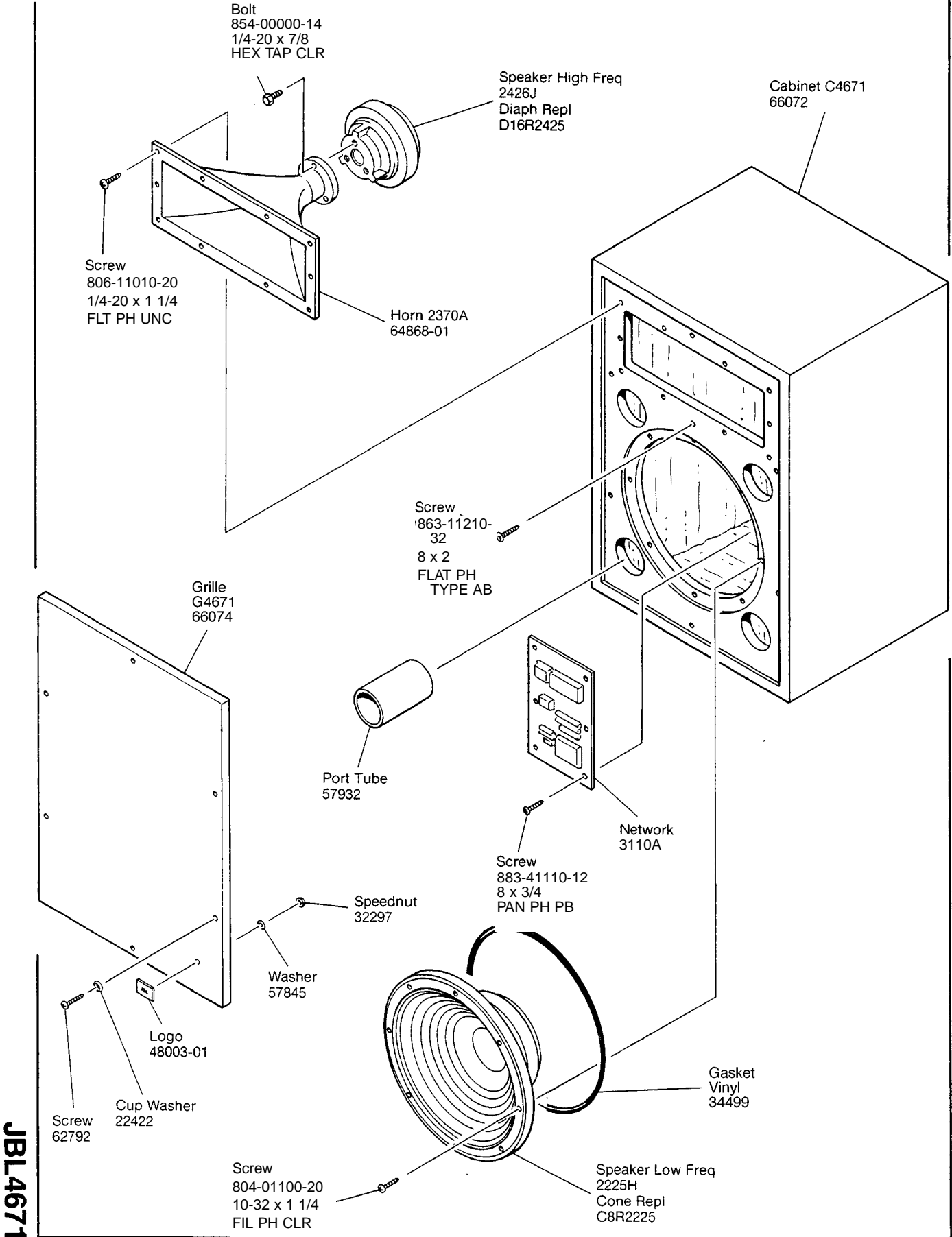
WIRING DIAGRAM



JBL4671 REV E

JBL4671

COMPONENT EXPLODED VIEW



JBL4671