

# Technical Manual

# JBL4670B

## SPECIFICATIONS



### ACOUSTIC & ELECTRICAL SPECIFICATIONS:

- Nominal Impedance: 8 ohm
- Power Capacity: Continuous Program: 600W  
Continuous Pink Noise: 300W
- Frequency Range: 35 Hz to 20 kHz
- Sensitivity: 100 dB SPL\*
- Crossover Frequencies: 500 Hz

### SYSTEM COMPONENTS:

- Cabinet: C4508
- Grille: N/A

\*1 Watt (2.83 V RMS) @ 1 Meter

### SYSTEM COMPONENTS: (cont'd)

- Low Frequency Transducer: 380mm (15 in.) 2 Units  
Cone Transducer, 2225H
- High Frequency Transducer: 100mm (4 in.) Pure  
Titanium Diaphragm, 2445J
- Crossover Network: 3160

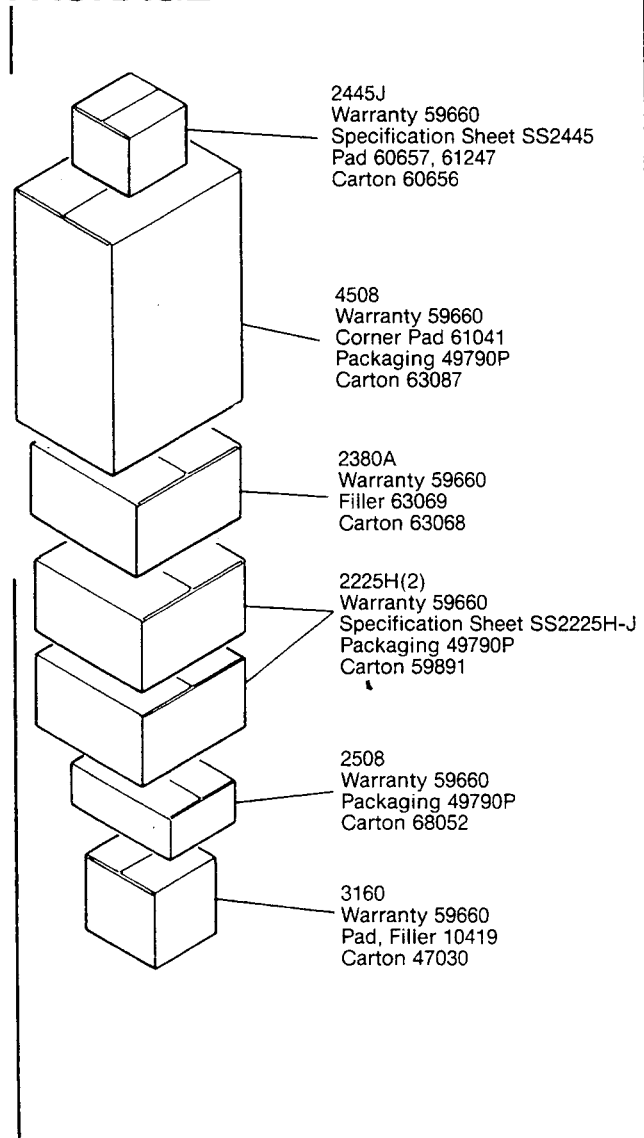
### PHYSICAL SPECIFICATIONS:

- Enclosure Dimensions: 1289mm x 673mm x 438mm D  
(50.75 x 26.5 x 17.25 in. D)
- Shipping Weight: 203 lbs. (92 kg.)

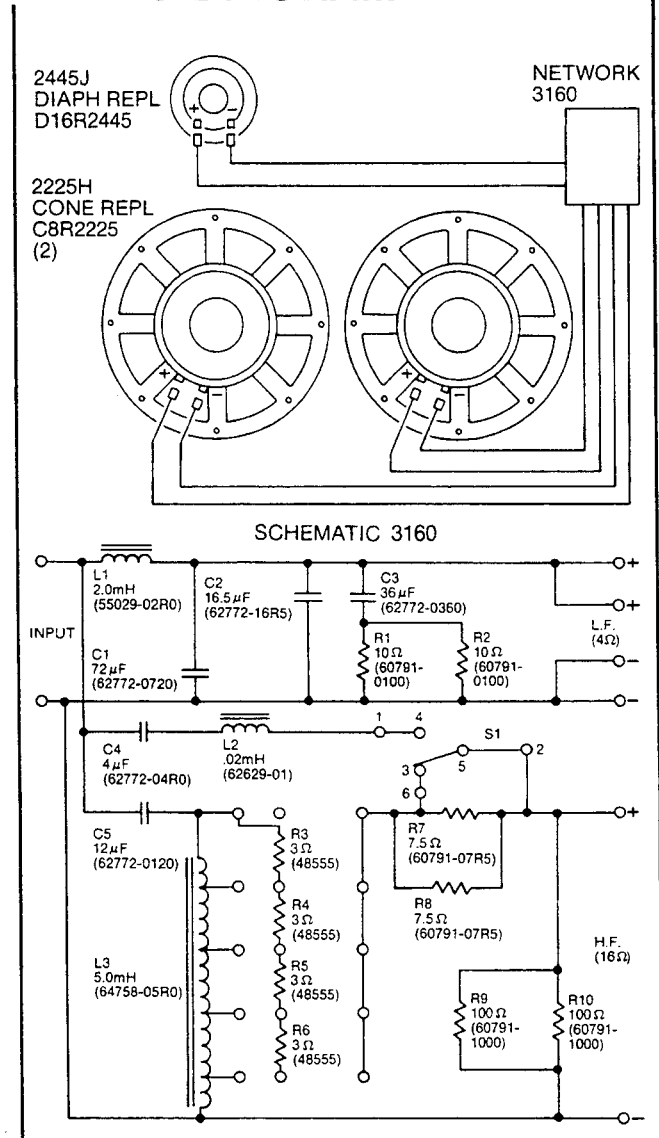
### WARRANTY INFORMATION:

- Refer to the Warranty Statement packed with each product.

## PACKAGE



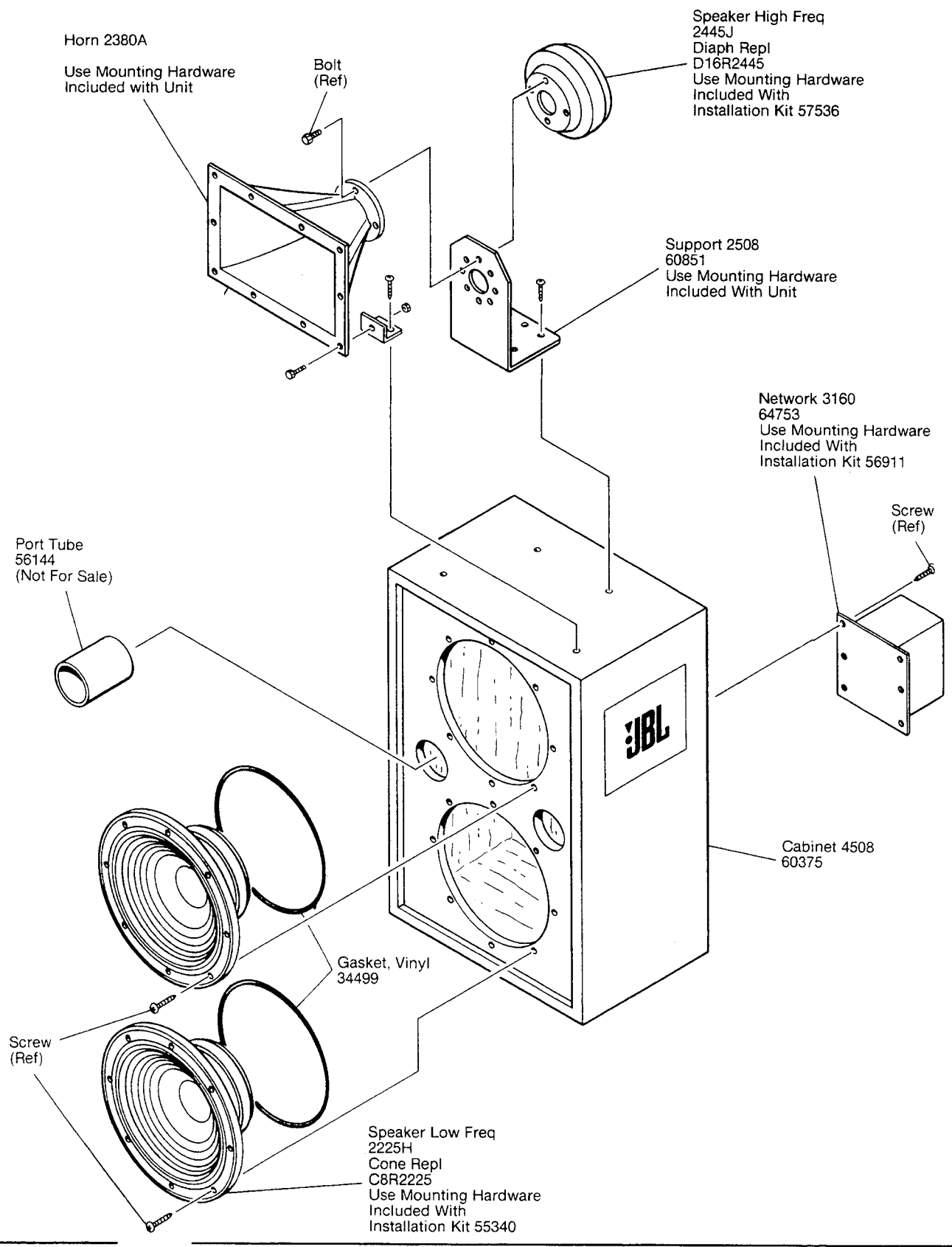
## WIRING DIAGRAM



JBL4670B REV E

# JBL4670B

## COMPONENT EXPLODED VIEW



JBL4670B