

# Technical Manual

# JBL4662A

## SPECIFICATIONS



### ACOUSTIC & ELECTRICAL SPECIFICATIONS:

- Nominal Impedance: 8 ohm
- Power Capacity: Continuous Program: 300W  
Continuous Pink Noise: 150W
- Frequency Range: 45 Hz to 20 kHz
- Sensitivity: 105 dB SPL\*
- Crossover Frequencies: 800 Hz

### SYSTEM COMPONENTS:

- Cabinet: C4560BKA
- Grille: N/A

\*1 Watt (2.83 V RMS) @ 1 Meter

### SYSTEM COMPONENTS: (cont'd)

- Low Frequency Transducer: 380mm (15 in.) Cone Transducer (E140-8)
- High Frequency Transducer: 44mm (1-3/4 in.) Titanium Compression Driver (2426J)
- Crossover Network: 3110A

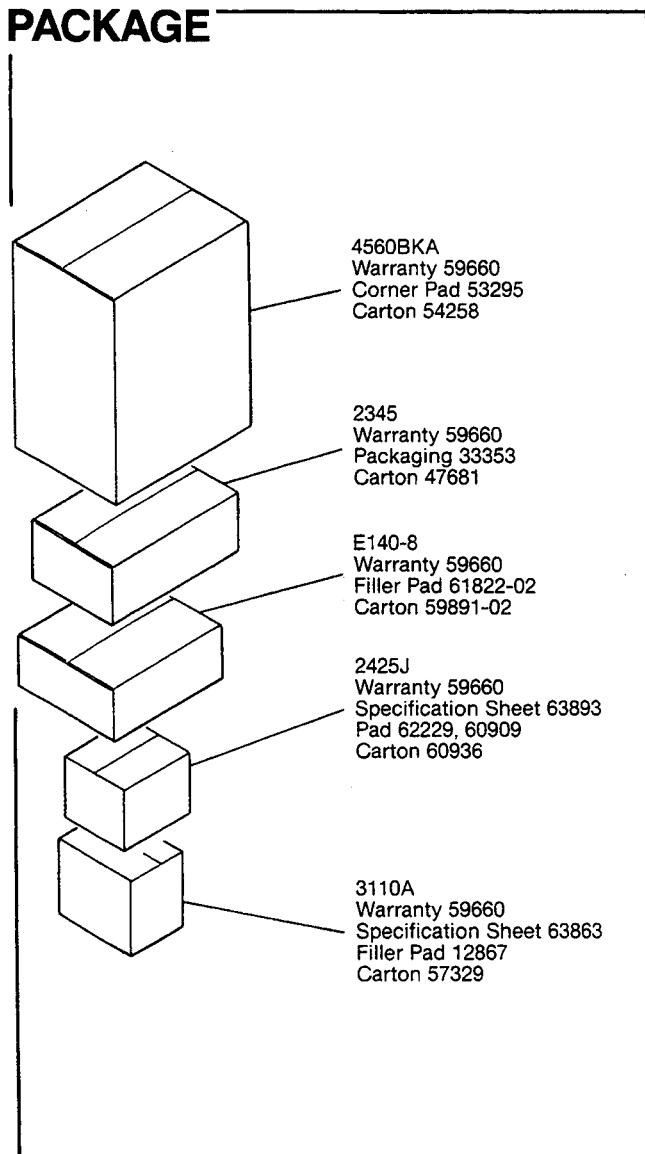
### PHYSICAL SPECIFICATIONS:

- Enclosure Dimensions: 914mm x 762mm x 606mm D  
(36.0 x 30.0 x 23.87 in. D)
- Shipping Weight: 139 lbs. (63 kg.)

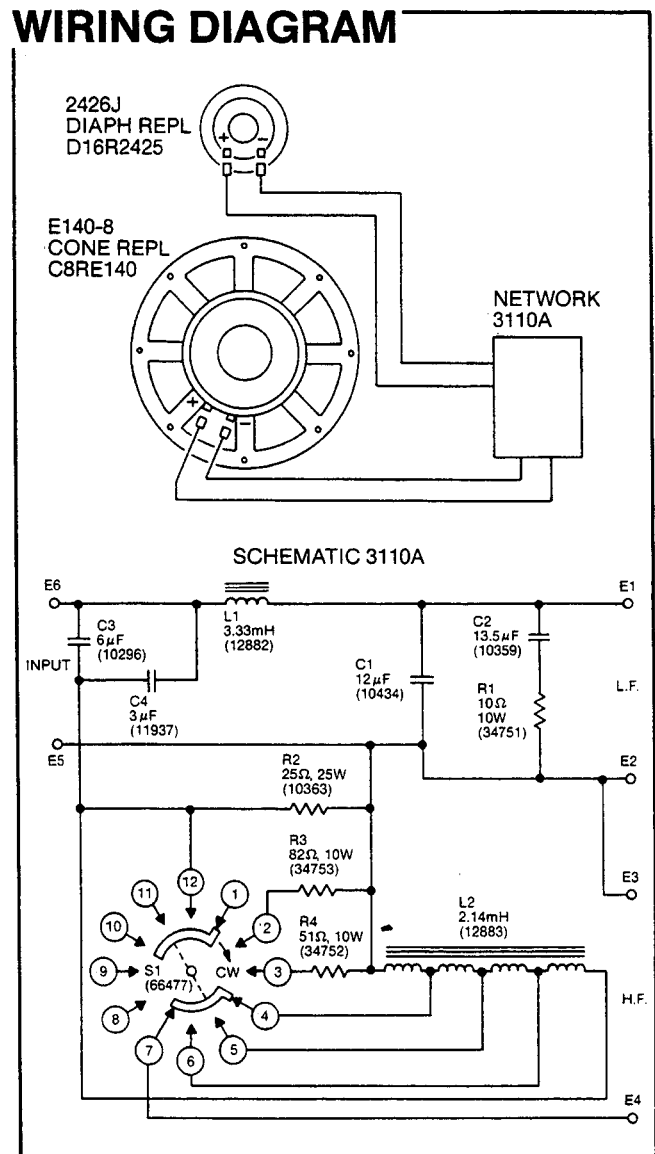
### WARRANTY INFORMATION:

- Refer to the Warranty Statement packed with each product.

## PACKAGE



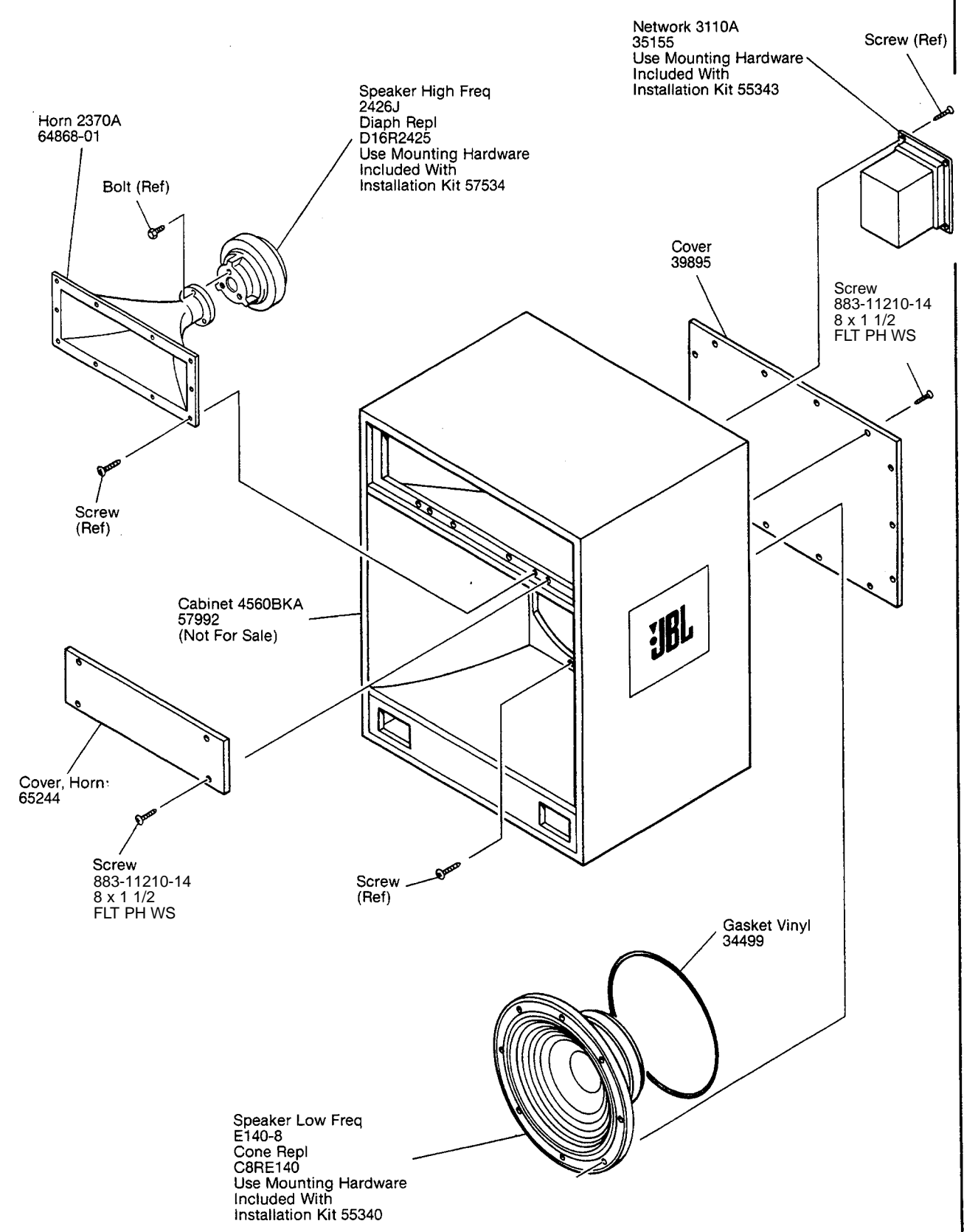
## WIRING DIAGRAM



JBL4662A REV D

# JBL4662A

## COMPONENT EXPLODED VIEW



JBL4662A