

Technical Manual

JBL4660 DEFINED COVERAGE LOUDSPEAKER SYSTEM SPECIFICATIONS



ACOUSTIC & ELECTRICAL SPECIFICATIONS:

- Nominal Impedance: 8 ohm
- Power Capacity: Continuous Pink Noise: 150W
- Frequency Range: 80 Hz to 12 kHz ($\pm 4\text{dB}$)
- Sensitivity: 99 dB SPL*
- Crossover Frequencies: 800 Hz

SYSTEM COMPONENTS:

- Cabinet: C4660
- Grille: 65136
- Grille, Optional H.F. G4660
- Low Frequency Transducer: 380mm (15 in.) Cone Transducer (2225H)

*1 Watt (2.83 V RMS) @ 1 Meter

SYSTEM COMPONENTS: (cont'd)

- High Frequency Transducer: 44mm (1-3/4 in.) Pure Titanium Compression Driver (2426H)
- Crossover Network: 65137-0060

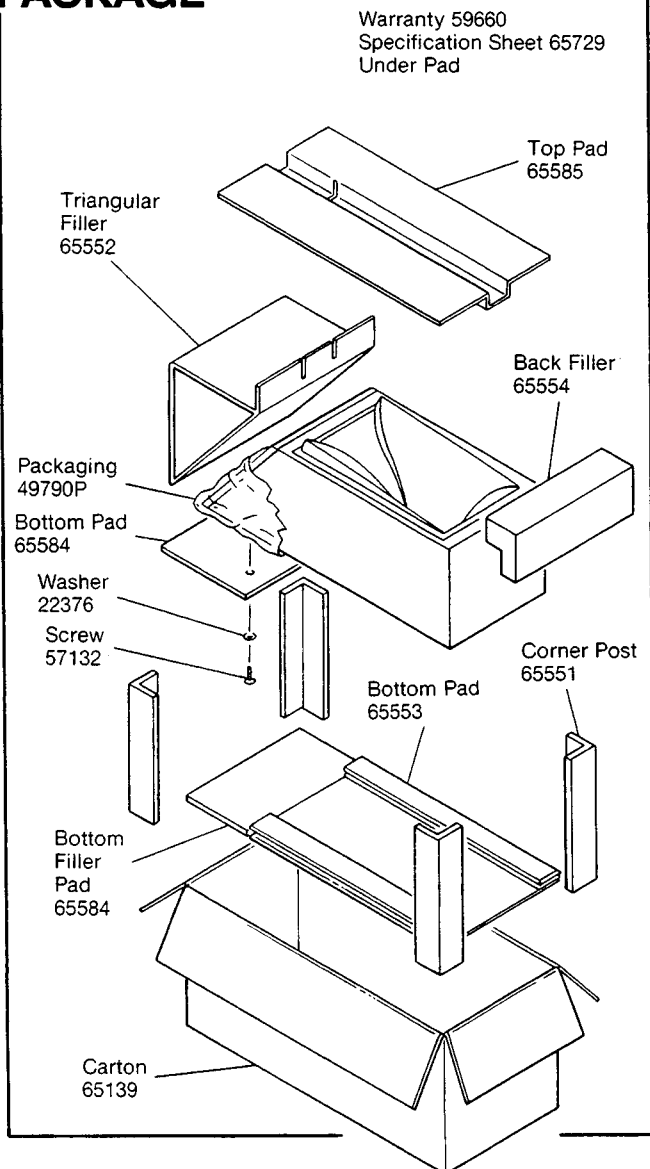
PHYSICAL SPECIFICATIONS:

- Enclosure Dimensions: 1102mm x 607mm x 518mm D (43.37 x 24.0 x 20.37 in. D)
- Shipping Weight: 161 lbs. (73 kg.)

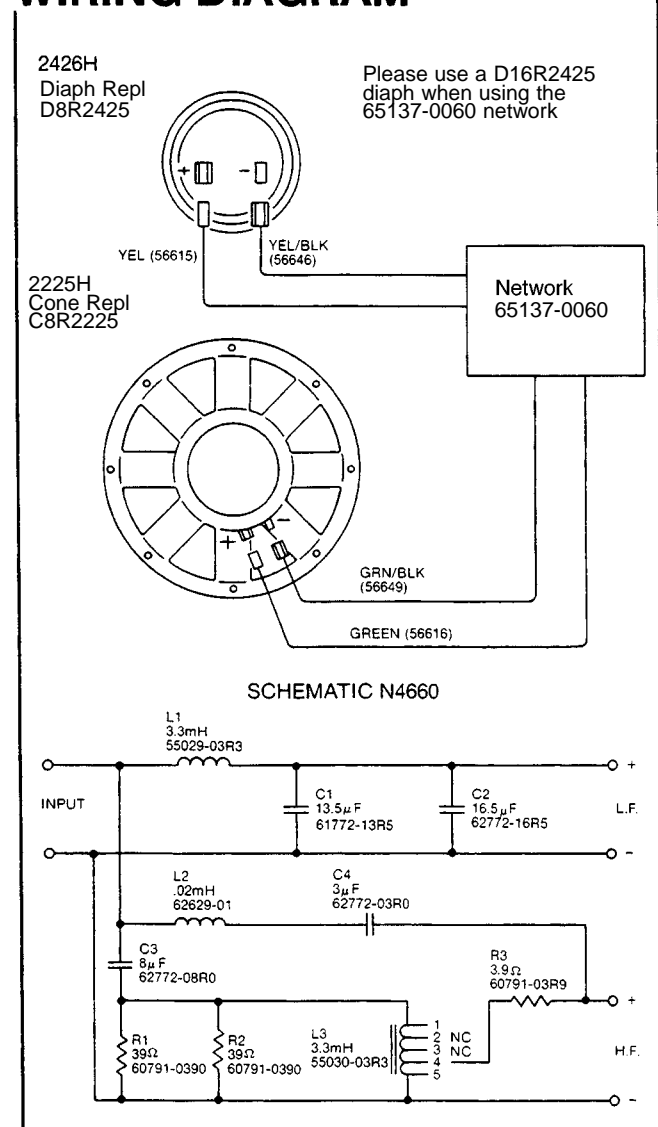
WARRANTY INFORMATION:

- Refer to the Warranty Statement packed with each product.

PACKAGE



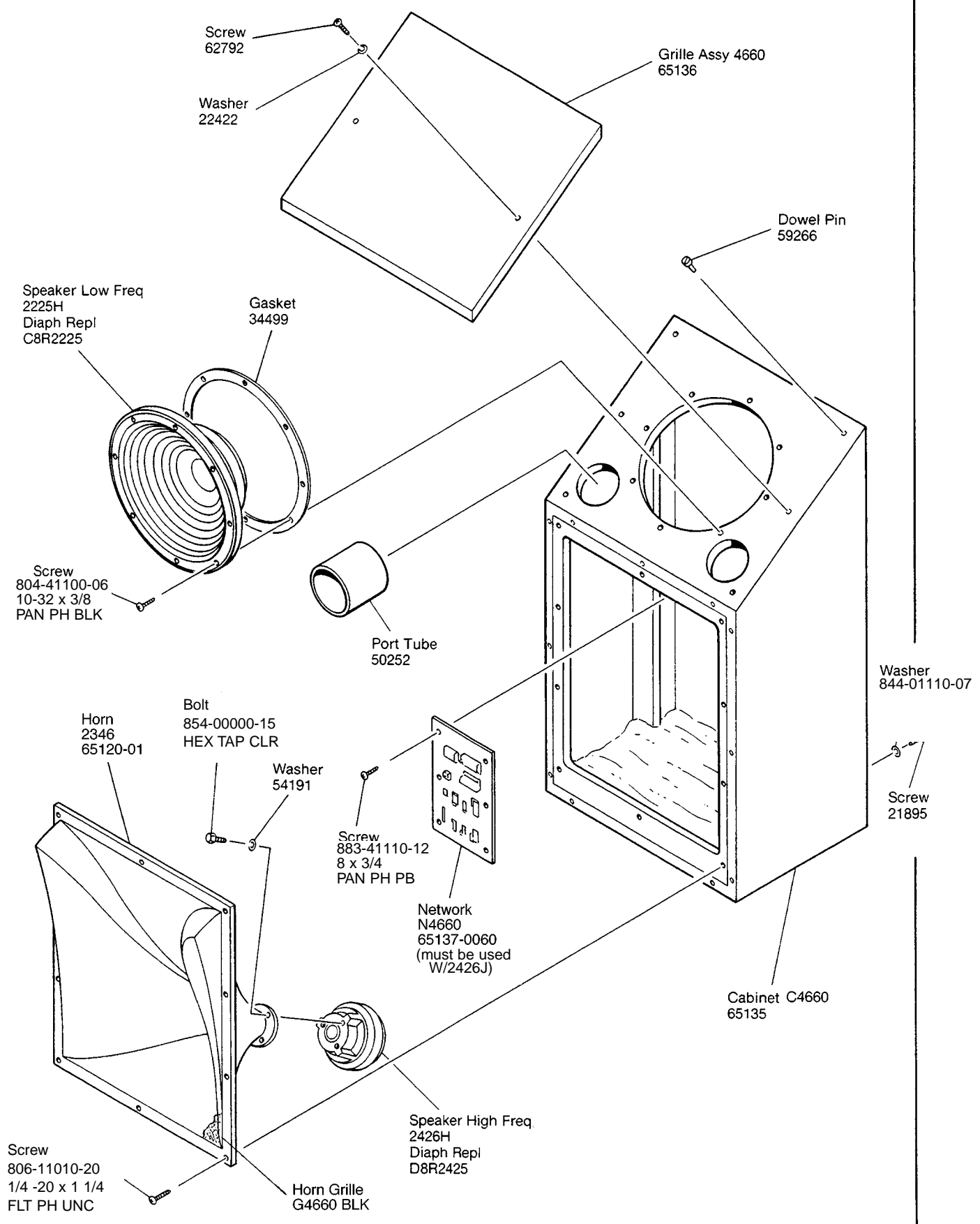
WIRING DIAGRAM



JBL4660 REV F

JBL4660

COMPONENT EXPLODED VIEW



JBL4660