

Technical Manual

JBL4652-BK

SPECIFICATIONS



ACOUSTIC & ELECTRICAL SPECIFICATIONS

- Nominal Impedance: 8 ohm
- Power Capacity: 250W Continuous Pink Noise
- Frequency Range: 50 Hz to 20 kHz (-10 dB)
- Sensitivity: 100 dB SPL*
- Crossover Frequencies: 2 kHz

SYSTEM COMPONENTS:

- Cabinet: C4652
- Grille: G4652
- Low Frequency Transducer: 300mm (12 in.) Cone Transducer (2022H)
- DC Resistance: 4.65 ohm ±10% Aluminum Wire

*1 Watt (2.83 V RMS) @ 1 Meter

SYSTEM COMPONENTS: (cont'd)

- High Frequency Transducer: 25mm (1 in.) Pure Titanium Compression Driver (2416H-1)
- DC Resistance: 3.2 ohm ±8% Aluminum Wire
- Crossover Network: N4652 (74791)

AURAL SWEEP TEST SPECIFICATIONS:

- A. System Aural Sweep Test: 7.0V Input, 20 Hz to 20 kHz
- B. L.F. Aural Sweep Test: 7.0V Input, 20 Hz to 1.2 kHz
- C. H.F. Aural Sweep Test: 2.83V Input, 550 Hz to 1.2 kHz

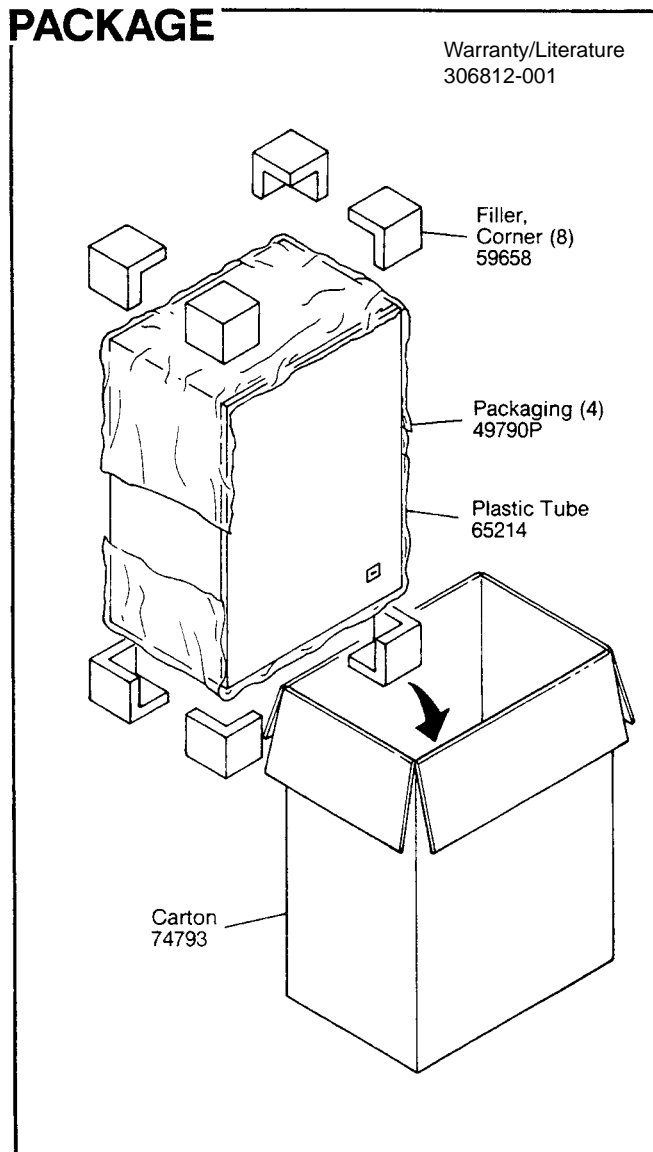
PHYSICAL SPECIFICATIONS:

- Enclosure Dimensions: 572mm x 401mm x 267mm D (22.5 x 15.75 x 10.5 in. D)
- Shipping Weight: 57 lbs. (25.8 kg.)

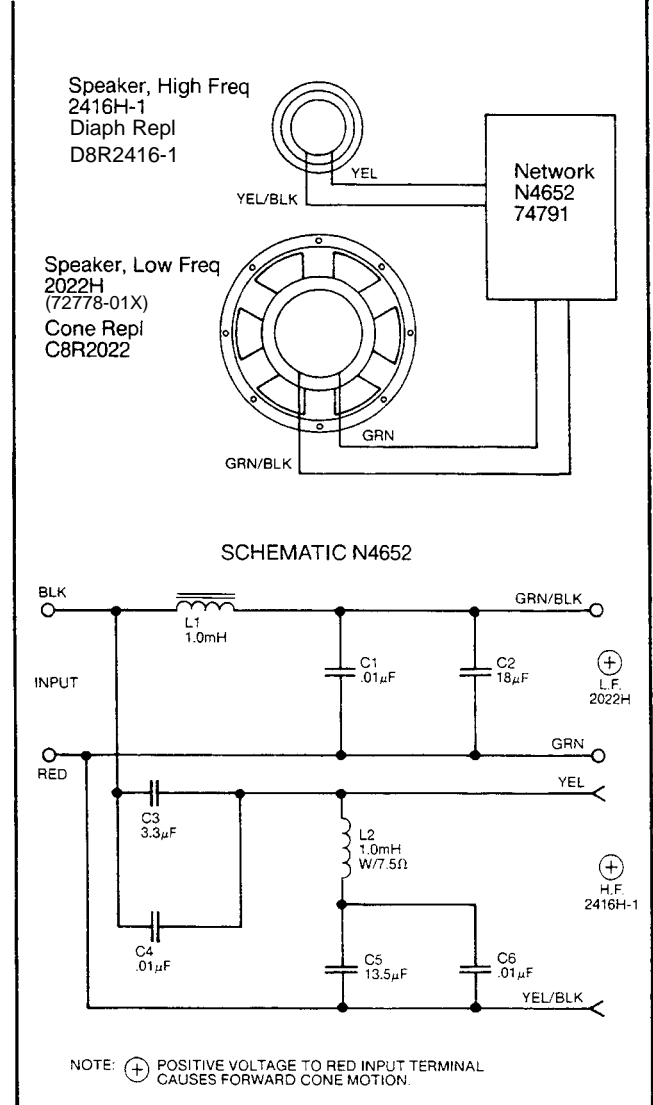
WARRANTY INFORMATION:

- Refer to the Warranty Statement packed with each product.

PACKAGE



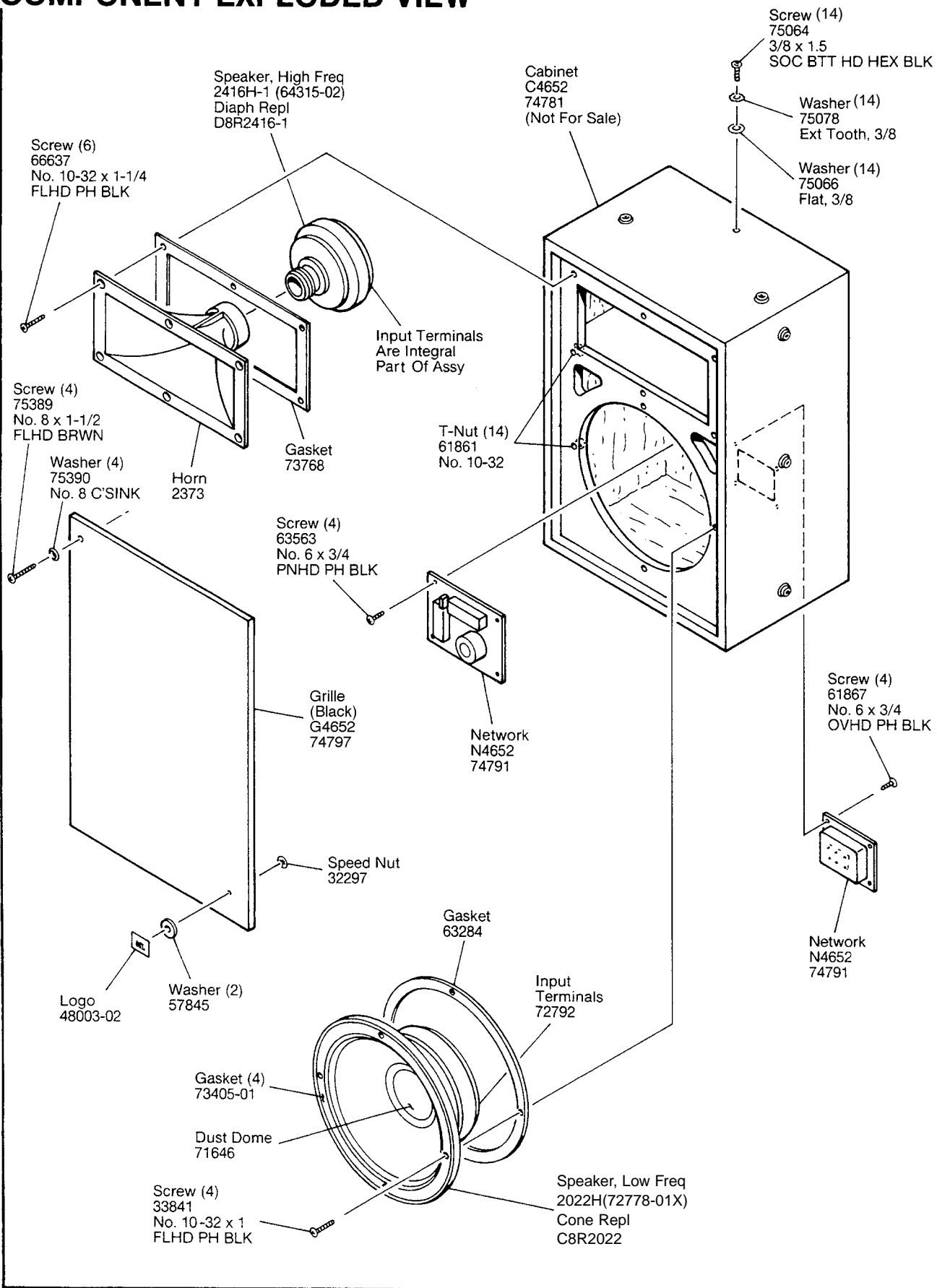
WIRING DIAGRAM



JBL4652 REV C

JBL4652-BK

COMPONENT EXPLODED VIEW



JBL4652