

Technical Manual

JBL4648A-8 LOW FREQUENCY SYSTEM



SPECIFICATIONS

ACOUSTIC & ELECTRICAL SPECIFICATIONS:

- Nominal Impedance: 8 ohm
- Power Capacity: 1200W, Continuous Pink Noise
2400W, Continuous Program
- Frequency Range: 30 Hz to 2 kHz
- Sensitivity: 97 dB SPL*
- Crossover Frequencies: 1200 Hz

SYSTEM COMPONENTS:

- Cabinet: C4648A
- Grille: N/A
- Low Frequency Transducer: 380mm (15 in.) Cone Transducer (2226JPL) (2)

*1 Watt (2.83 V RMS) @ 1 Meter

SYSTEM COMPONENTS: (cont'd)

- DC Resistance: 9.7 ohm \pm 10% Aluminum Wire
- Crossover Network: N/A

AURAL SWEEP TEST SPECIFICATIONS:

- A. System Aural Sweep Test: 7.0V Input, 20 Hz to 20 kHz
- B. L.F. Aural Sweep Test: 10.0V Input, 20 Hz to 1.2 kHz

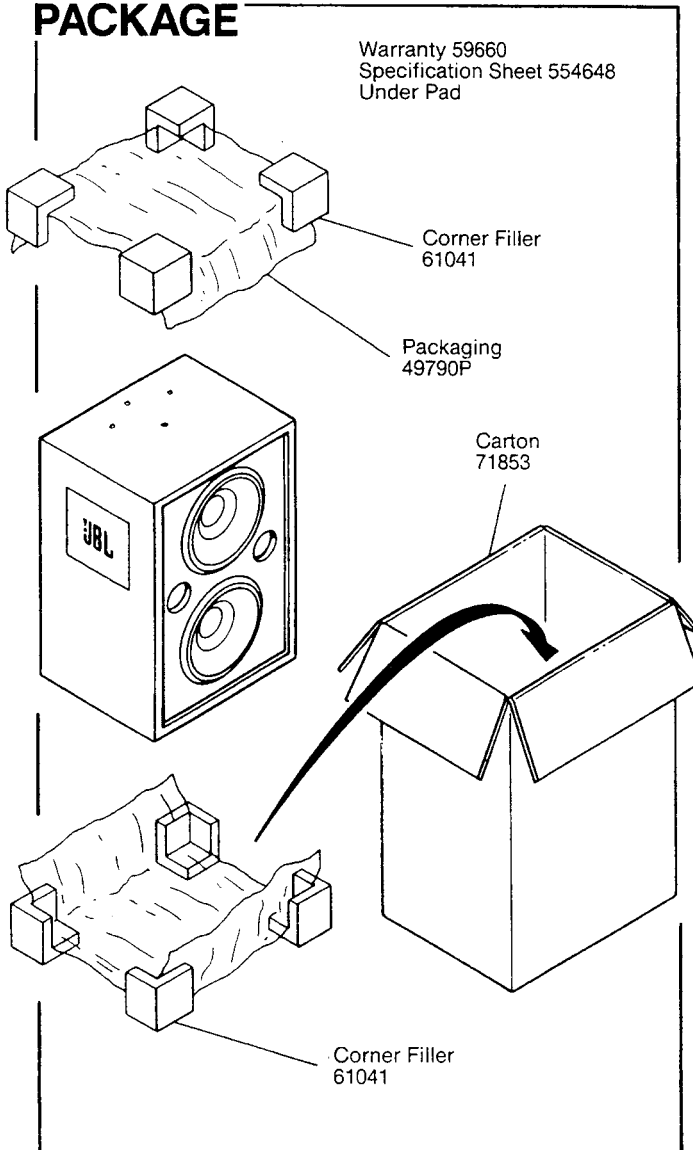
PHYSICAL SPECIFICATIONS:

- Enclosure Dimensions: 1060mm x 667mm x 464mm D
(41.75 x 26.5 x 18.25 in. D)
- Shipping Weight: 108½ lbs. (49 kg)

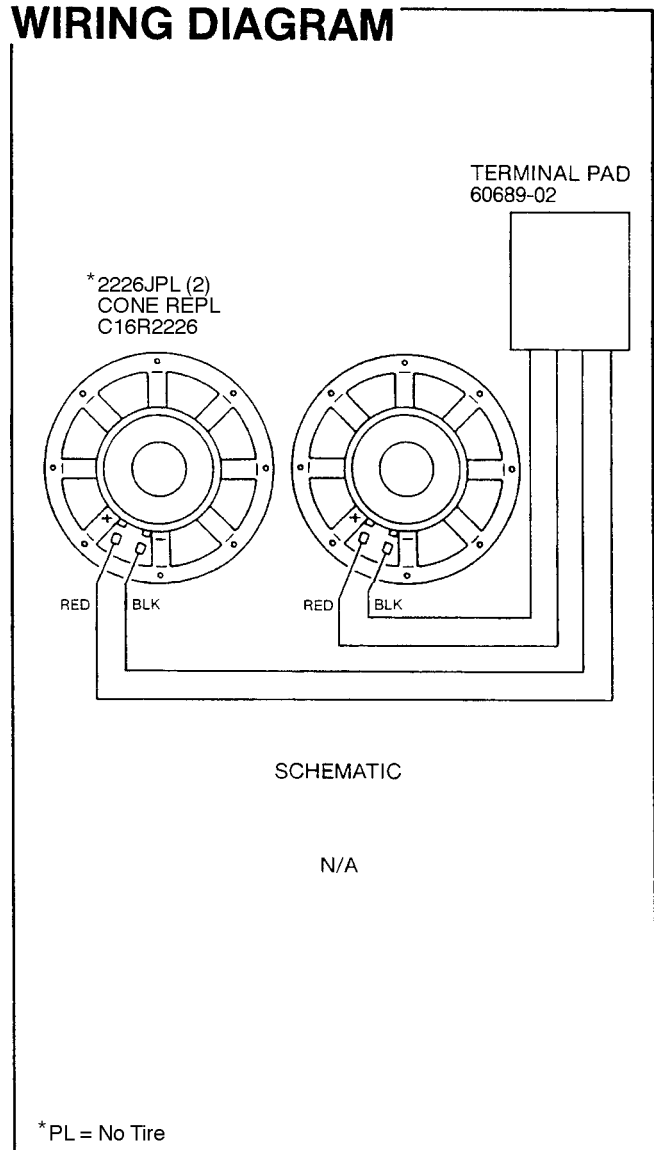
WARRANTY INFORMATION:

- Refer to the Warranty Statement packed with each product.

PACKAGE



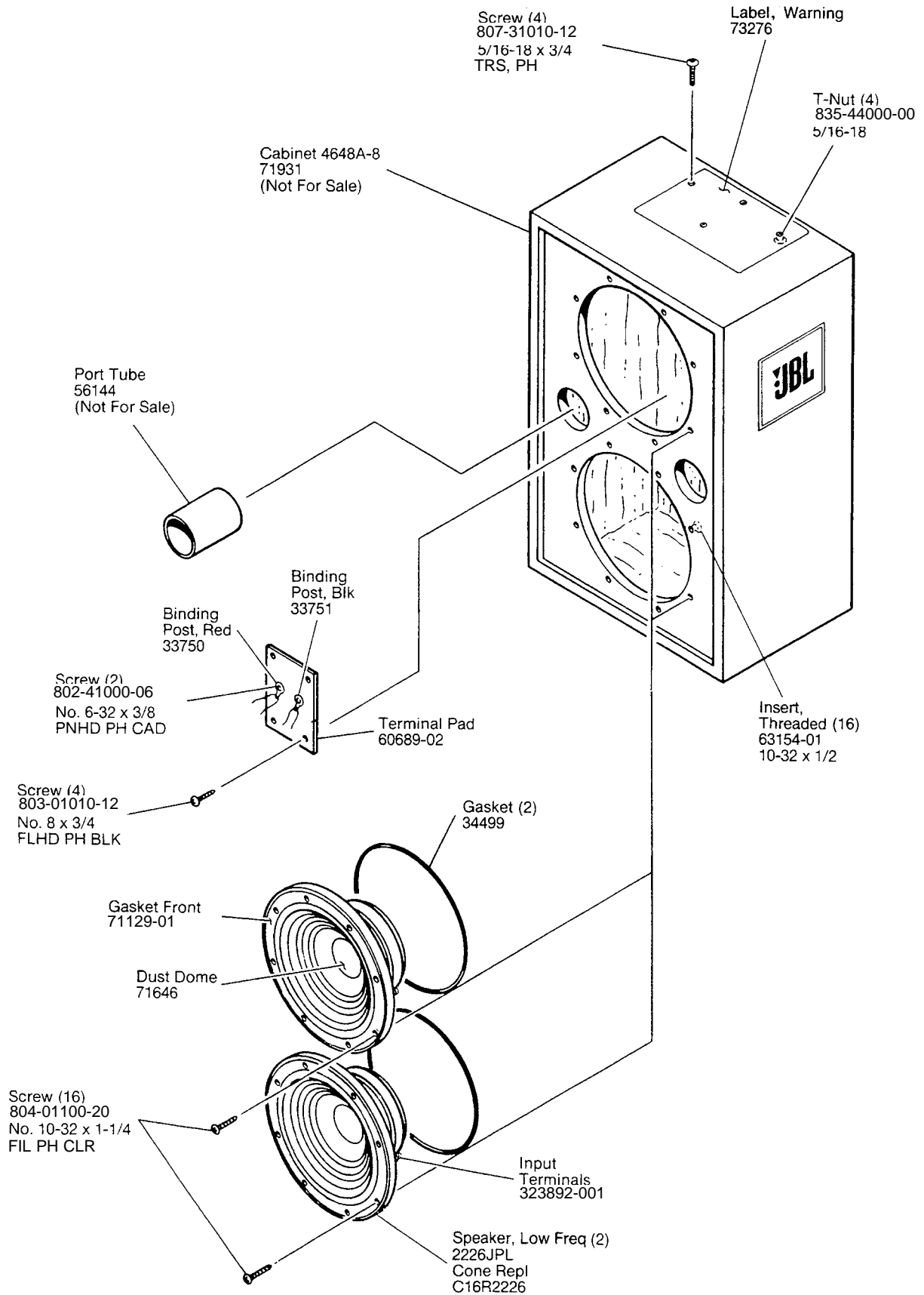
WIRING DIAGRAM



JBL4648A-8 REV G

JBL4648A-8

COMPONENT EXPLODED VIEW



JBL4648A-8