

Technical Manual

JBL4648-8 LOW FREQUENCY SYSTEM



SPECIFICATIONS

ACOUSTIC & ELECTRICAL SPECIFICATIONS:

- Nominal Impedance: 8 ohm
- Power Capacity: 200 Watts, Sine Wave
400 Watts, Continuous Program
- Frequency Range: 30 Hz to 2 kHz
- Sensitivity: 97 dB SPL*
- Crossover Frequencies: 1200 Hz

SYSTEM COMPONENTS:

- Cabinet: C4508
- Grille: N/A

*1 Watt (2.83 V RMS) @ 1 Meter

SYSTEM COMPONENTS: (cont'd)

- Low Frequency Transducer: 380mm (15 in.) Cone Transducer
- Crossover Network: N/A

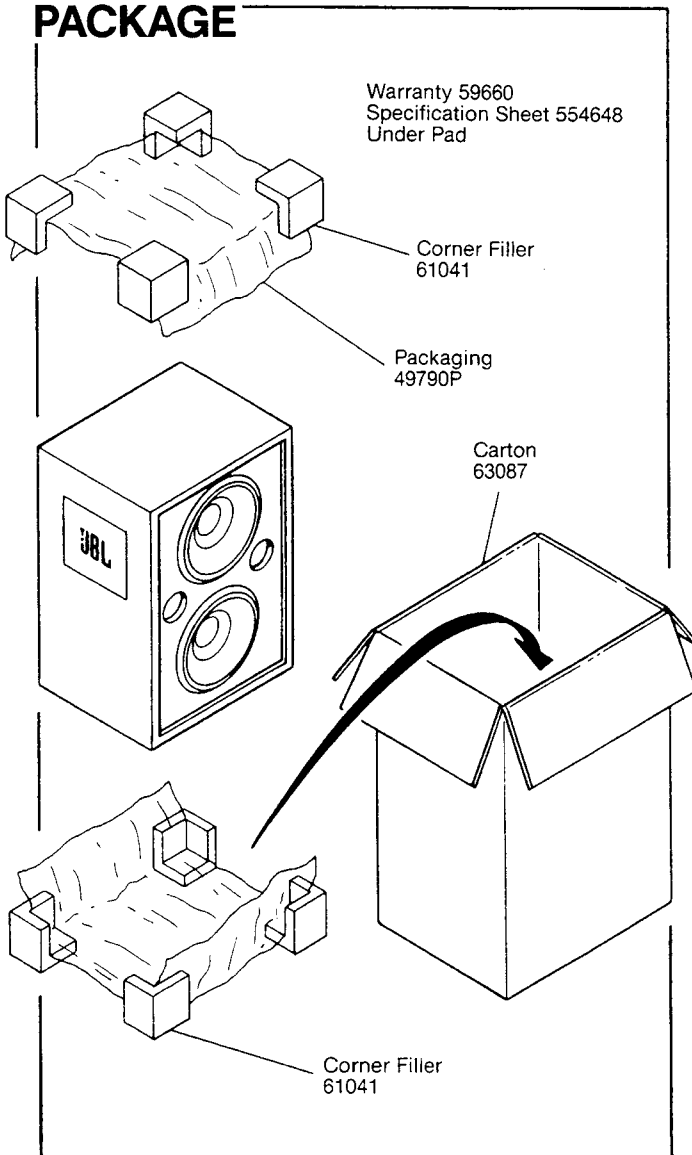
PHYSICAL SPECIFICATIONS:

- Enclosure Dimensions: 1060mm x 667mm x 464mm D
(41.75 x 26.5 x 18.25 in. D)
- Shipping Weight: 108½ lbs. (49 kg)

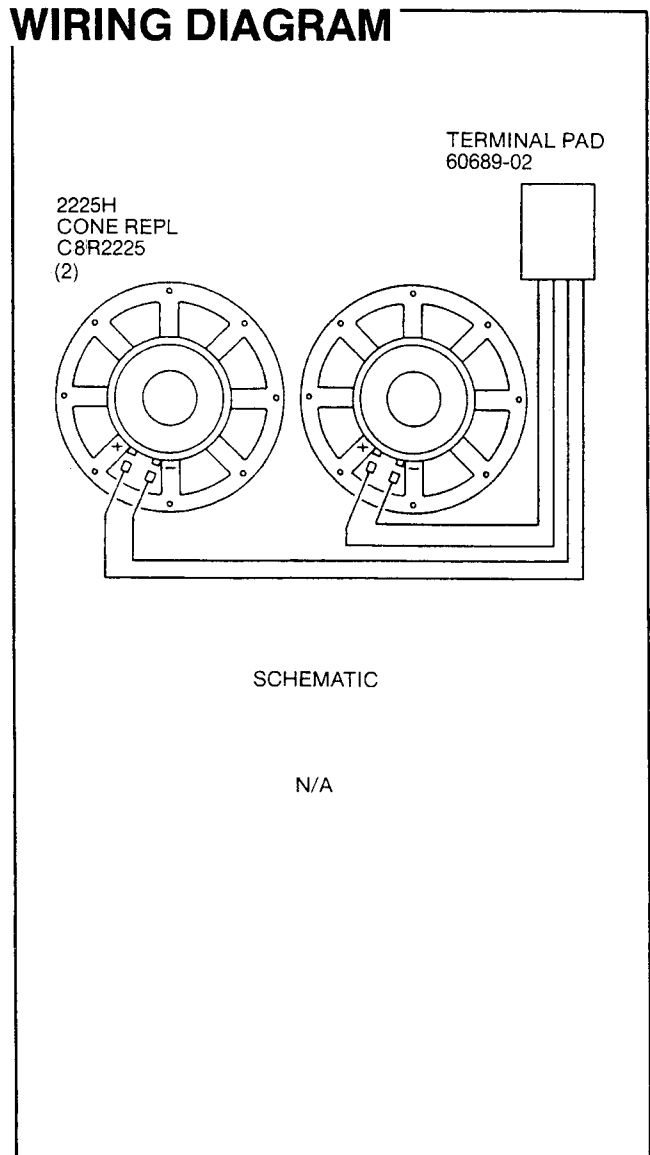
WARRANTY INFORMATION:

- Refer to the Warranty Statement packed with each product.

PACKAGE



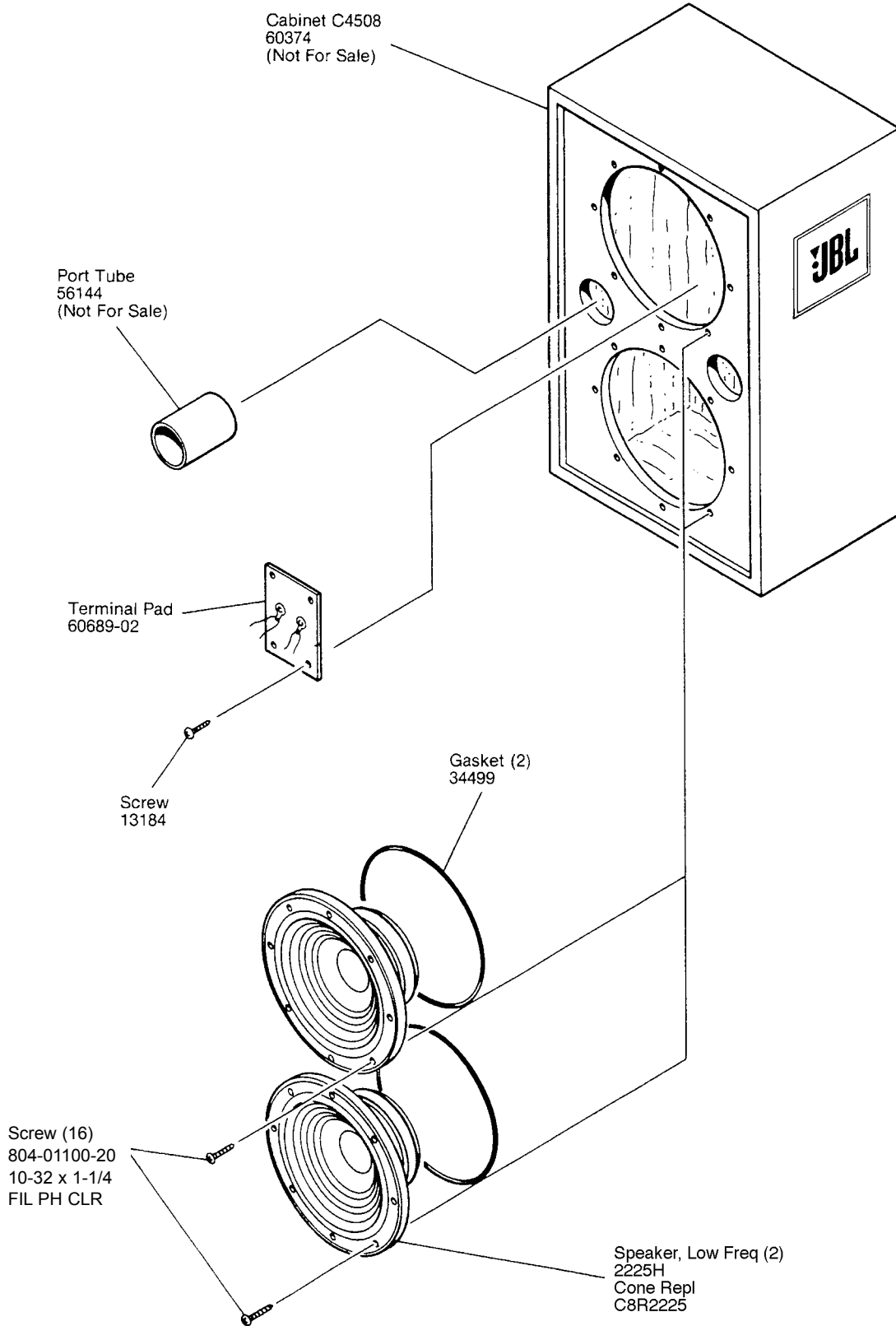
WIRING DIAGRAM



JBL4648-8 REV D

JBL4648-8

COMPONENT EXPLODED VIEW



JBL4648-8