

Technical Manual



JBL4645C

SPECIFICATIONS

ACOUSTIC & ELECTRICAL SPECIFICATIONS:

- Nominal Impedance: 8 ohm
- Power Capacity: Continuous Pink Noise: 800W
Continuous Program: 1600W
Peak Power: 3200W
- Frequency Range: Lower Frequency Limits (No EQ)
22 Hz: -10 dB
35 Hz: -3 dB
Lower Frequency Limits (With EQ)
20 Hz: -10 dB
22 Hz: -3 dB
- Sensitivity: 50 Hz - 500 Hz: 99 dB, 1W @ 1m
40 Hz - 100 Hz: 97 dB, 1W @ 1m
- Crossover Frequencies: High-Pass 20 Hz, 12 dB/Octave or Greater
Low-Pass 80 Hz - 150 Hz, 12 dB/Octave or Greater

SYSTEM COMPONENTS:

- Cabinet: C4645C
- Low Frequency Transducer: 460mm (18 in.) Cone Transducer (2242HPL)
- DC Resistance: 4.7 ohm ±10% Aluminum Wire
- Terminal Assy: 396-00008-00

AURAL SWEEP TEST SPECIFICATIONS:

- A. System Aural Sweep Test: 10.0V Input, 20 Hz to 1.2 kHz
- B. L.F. Aural Sweep Test: 10.0V Input, 20 Hz to 1.2 kHz

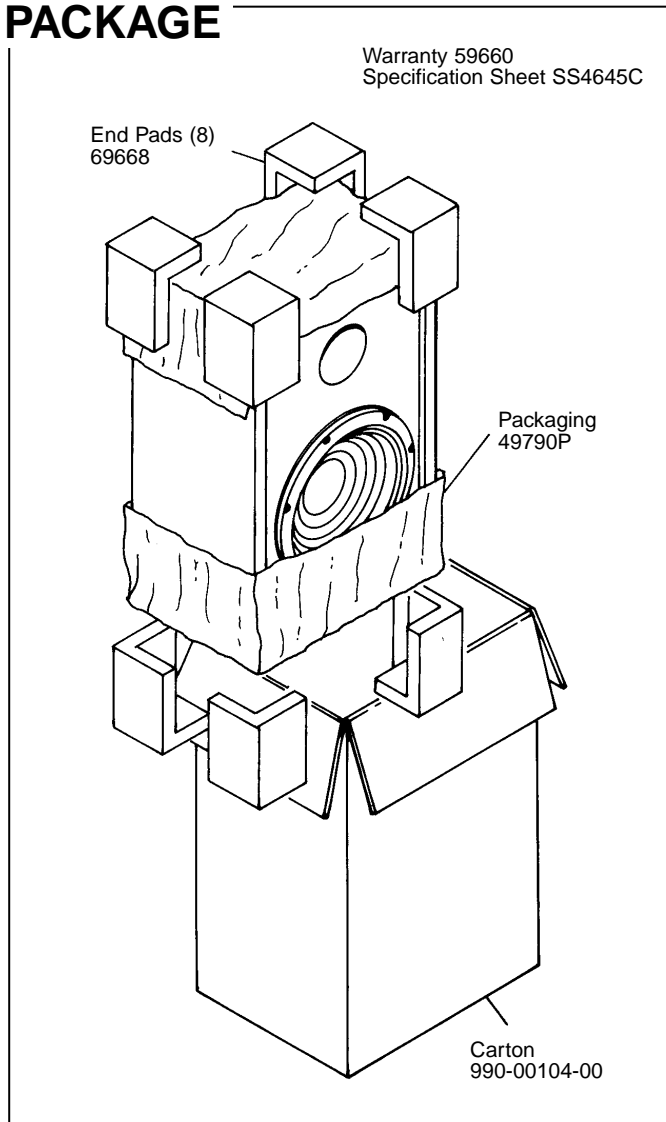
PHYSICAL SPECIFICATIONS:

- Enclosure Dimensions: 1010mm x 674mm x 450mm D (39.75 x 26.50 x 17.75 in. D)
- Shipping Weight: 151lbs. (69 kg.)

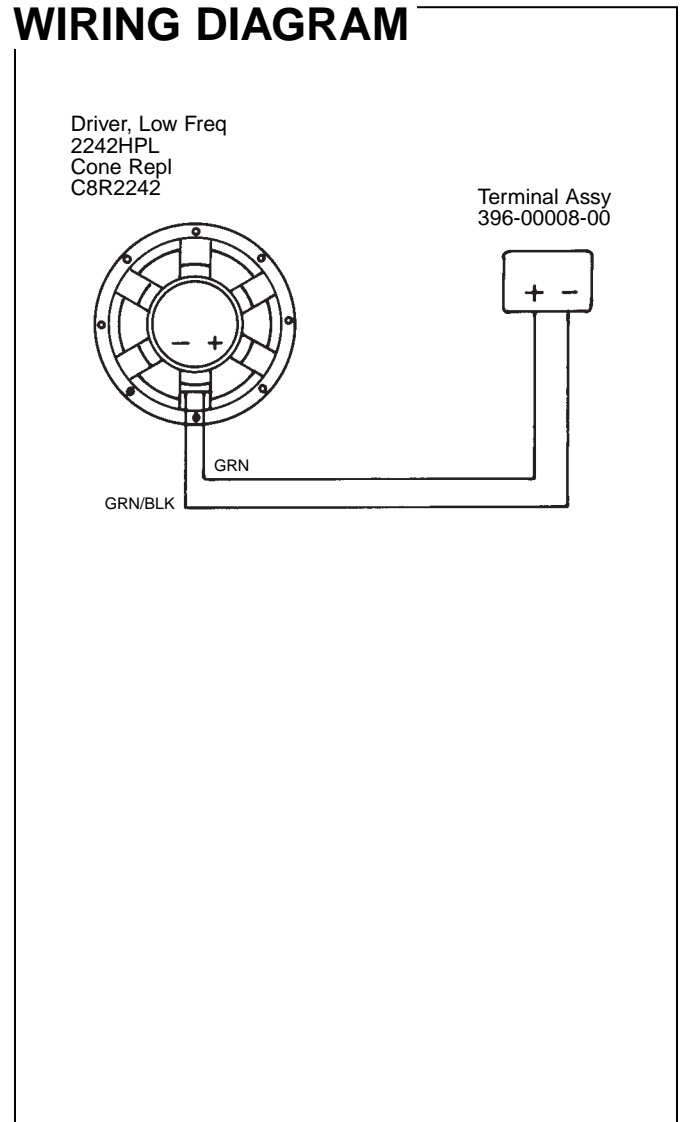
WARRANTY INFORMATION:

- Refer to Warranty Statement packed with each product.

PACKAGE



WIRING DIAGRAM



JBL 4645C

COMPONENT EXPLODED VIEW

