

# Technical Manual

# JBL4645B

## SPECIFICATIONS



### ACOUSTIC & ELECTRICAL SPECIFICATIONS:

- Nominal Impedance: 8 ohm
- Power Capacity: 800W Continuous Pink Noise  
1600W Continuous Program
- Frequency Range: 25 Hz to 500 Hz
- Sensitivity: 95 dB SPL\*
- Crossover Frequencies: High Pass 20 Hz  
Low Pass 80 Hz - 120 Hz

### SYSTEM COMPONENTS:

- Cabinet: C4645B
- Grille: N/A
- Low Frequency Transducer: 460mm (18 in.) Cone Transducer 2242HPL
- DC Resistance: 4.7 ohm

### SYSTEM COMPONENTS: (cont'd)

- Crossover Network: None

### AURAL SWEEP TEST SPECIFICATIONS:

- L.F. Aural Sweep Test: 10.0V Input, 20 Hz to 1.2 kHz

### PHYSICAL SPECIFICATIONS:

- Enclosure Dimensions: 1010mm x 674mm x 450mm  
(39.75 x 26.5 x 17.75 in. D)

### SHIPPING WEIGHT:

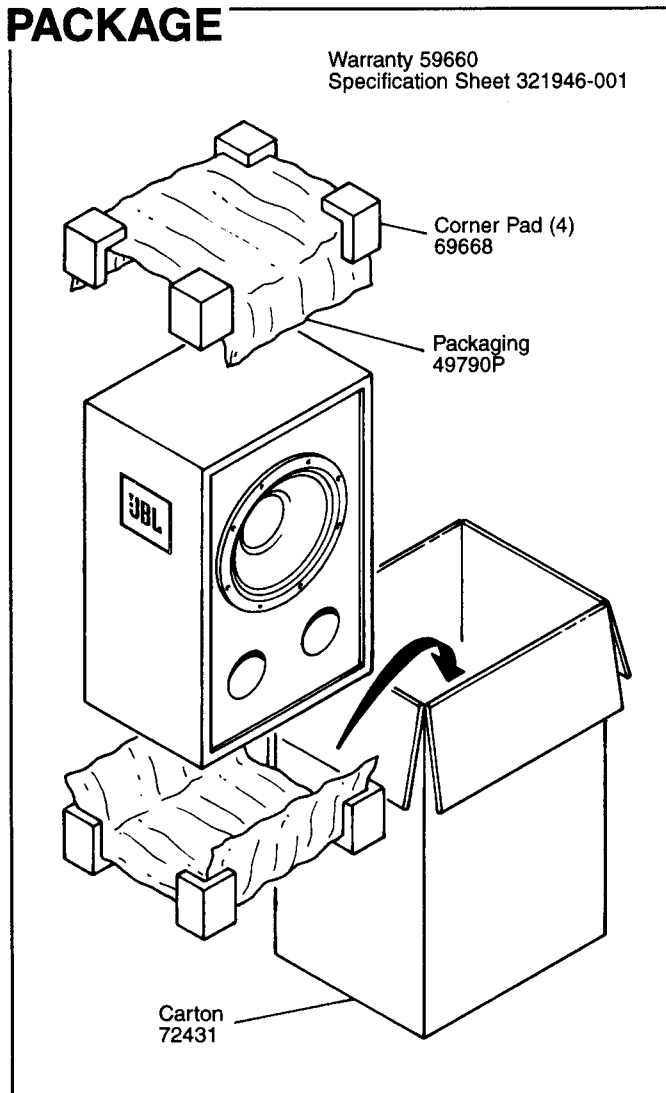
151 lbs. (69 kg.)

### WARRANTY INFORMATION:

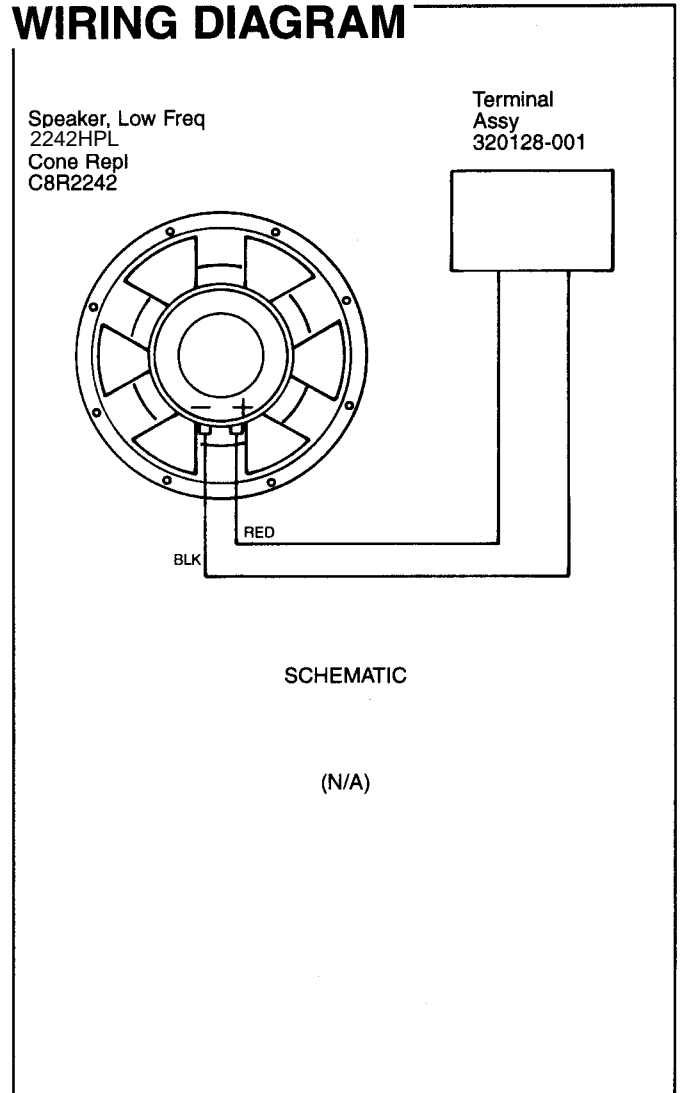
- Refer to the Warranty Statement packed with each product.

\*1 Watt (2.83 V RMS) @ 1 Meter

## PACKAGE

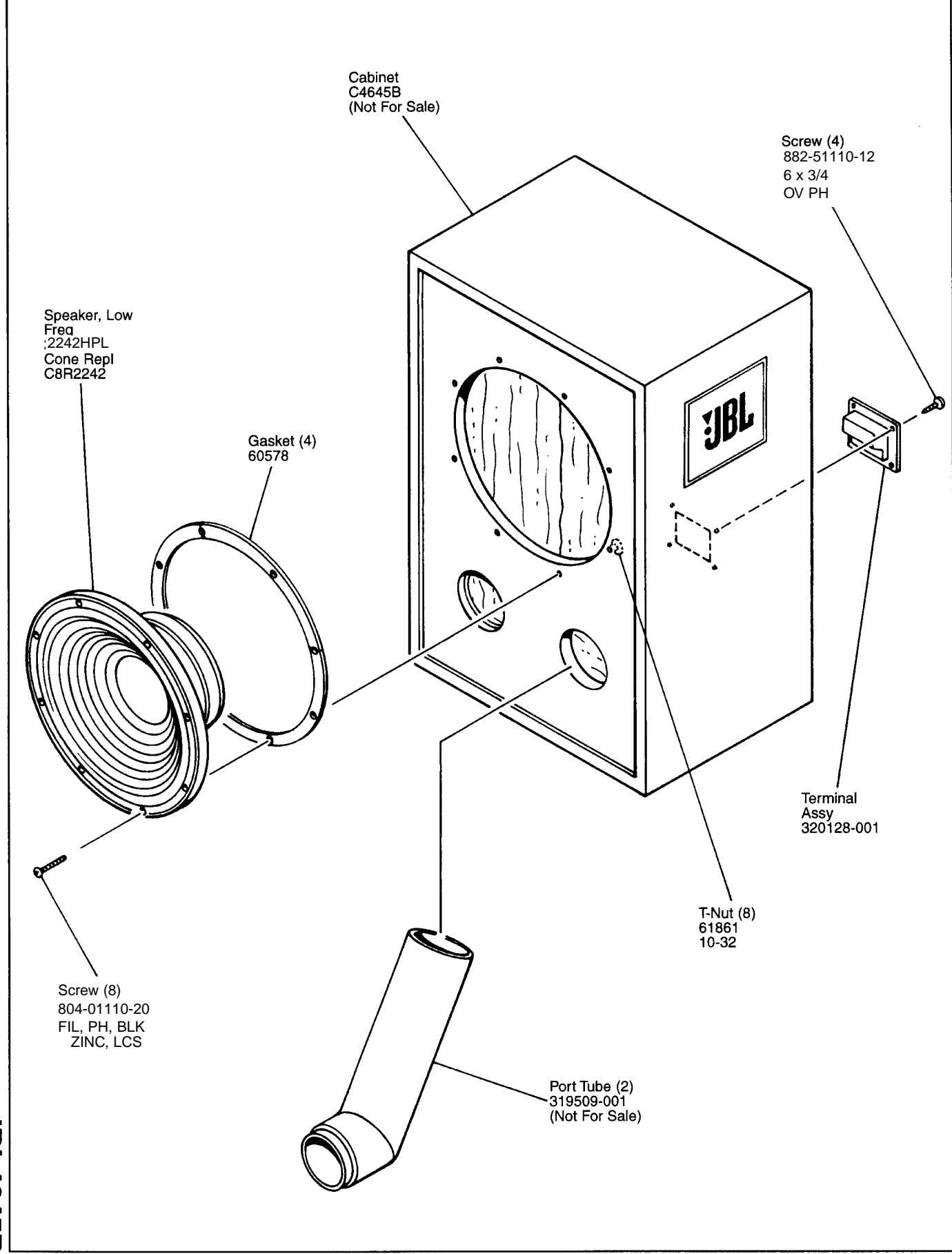


## WIRING DIAGRAM



# JBL4645B

## COMPONENT EXPLODED VIEW



JBL4645B