

Technical Manual

JBL4641 SPECIFICATIONS



ACOUSTIC & ELECTRICAL SPECIFICATIONS:

- Nominal Impedance: 8 ohms (Min. 6.3 ohms)
- Power Capacity: 600 W Continuous Pink Noise
1200 W Continuous Program Peak Power 2400 W
- Frequency Range: 30Hz – 3 kHz
- Sensitivity: 50 Hz to 500 Hz, 98dB, 1 Watt @ 1 Meter
40 Hz to 100 Hz, 97dB, 1 Watt @ 1 Meter
- Crossover Frequencies: High-Pass: 20 Hz, 24dB/Octave or Greater
Low-Pass: 80Hz to 150 Hz, dB/Octave or Greater

SYSTEM COMPONENTS:

- Cabinet: 4641
- Low Frequency Transducer: 460mm (18in.) Cone Transducer (2241HPL)

SYSTEM COMPONENTS: (cont'd)

- DC Resistance: 5 ohms \pm 10% Aluminum Wire
- Terminal Cup: 396-00008-00

AURAL SWEEP TEST SPECIFICATIONS:

- A. System Aural Sweep Test: 7.0V Input, 20 Hz to 3 kHz
- B. L.F. Aural Sweep Test: 7.0V Input, 20 Hz to 3 kHz

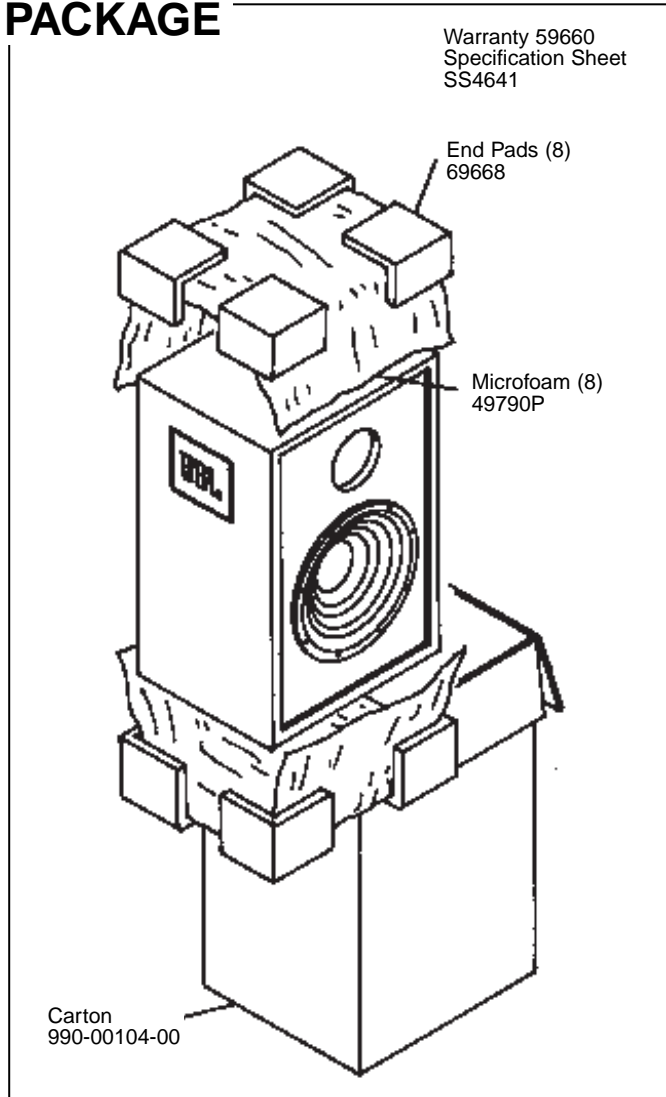
PHYSICAL SPECIFICATIONS:

- Enclosure Dimensions: 991mm x 648mm x 451mm D (39 x 25.50 x 17.75 in.D.)
- Shipping Weight: 142 lbs. (66 kg.)

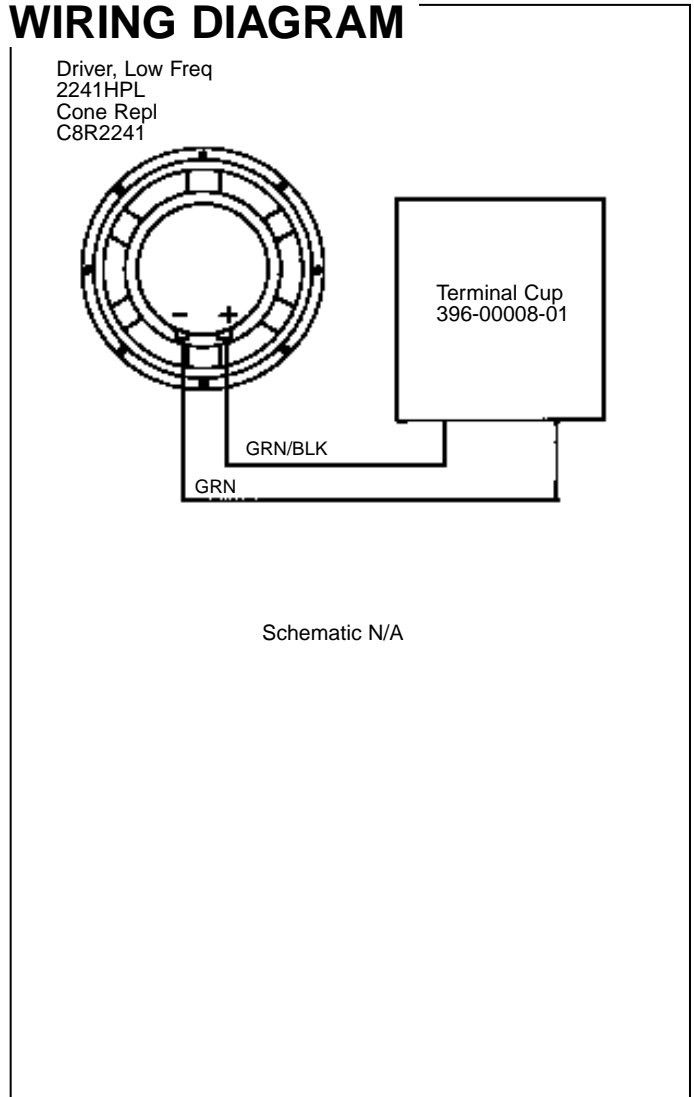
WARRANTY INFORMATION:

- Refer to Warranty Statement packed with each product.

PACKAGE



WIRING DIAGRAM



COMPONENT EXPLODED VIEW

