

Technical Manual

JBL4638TH

SPECIFICATIONS



ACOUSTIC & ELECTRICAL SPECIFICATIONS:

- Nominal Impedance: 4 ohm
- Power Capacity: 800W AES Pink Noise
- Frequency Response: -3 dB @ 45 Hz
- Sensitivity: 100 dB SPL, 1W (2.0V) @ 1m
- Crossover Frequency: 500 Hz

SYSTEM COMPONENTS:

- Cabinet: C4508A (Not For Sale)
- Grille: N/A
- Low Frequency Transducer: 380mm (15 in.) Cone Transducer (2035H) (2)
- DC Resistance: 3.9 ohm \pm 10% Aluminum Wire
- Crossover Network: Passive Crossover, 320918-001

AURAL SWEEP TEST SPECIFICATIONS:

- A. System Aural Sweep Test: 7.0V Input, 20 Hz to 20 kHz
- B. L.F. Aural Sweep Test: 7.0V Input, 20 Hz to 600 Hz

PHYSICAL SPECIFICATIONS:

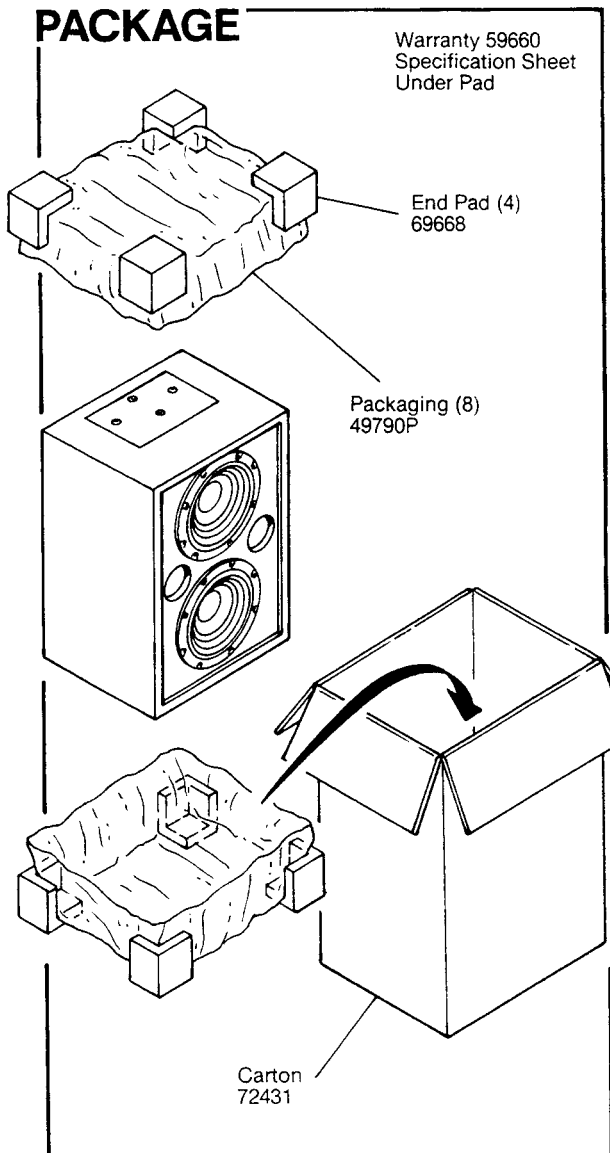
- Enclosure Dimensions: 991mm x 648mm x 451mm D (39.0 x 25.5 x 17.75 in. D)
- Shipping Weight: N/A

WARRANTY INFORMATION:

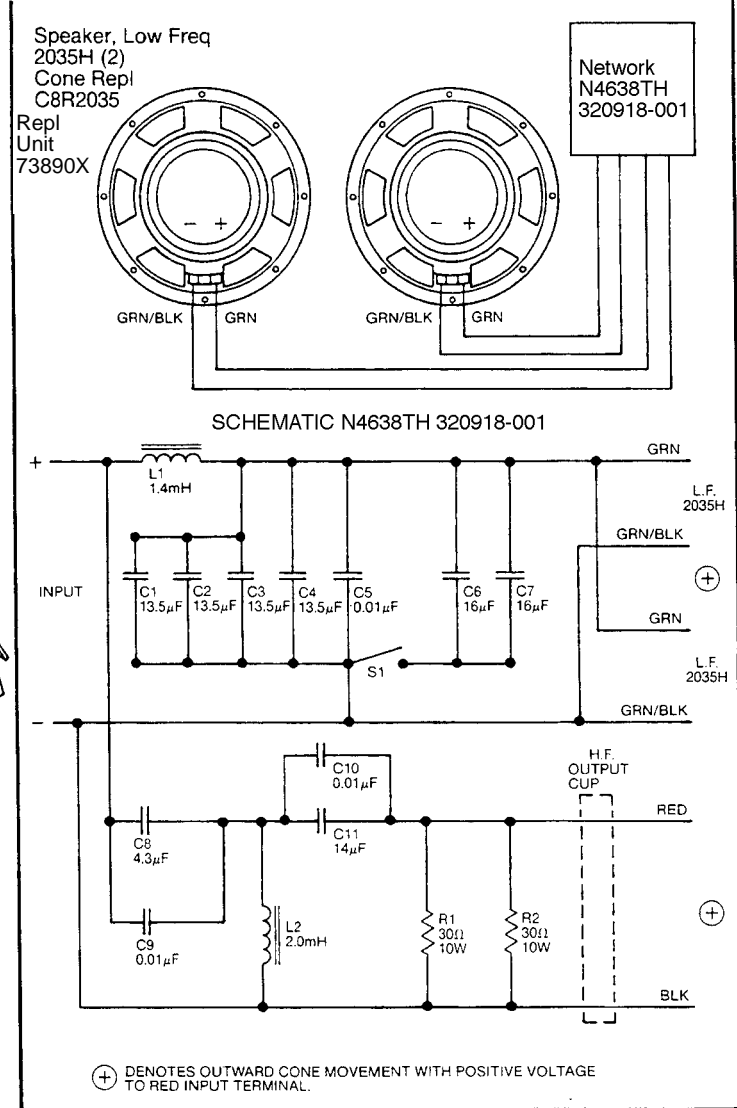
- Refer to the Warranty Statement packed with each product.

*1 Watt (2.83 V RMS) @ 1 Meter

PACKAGE



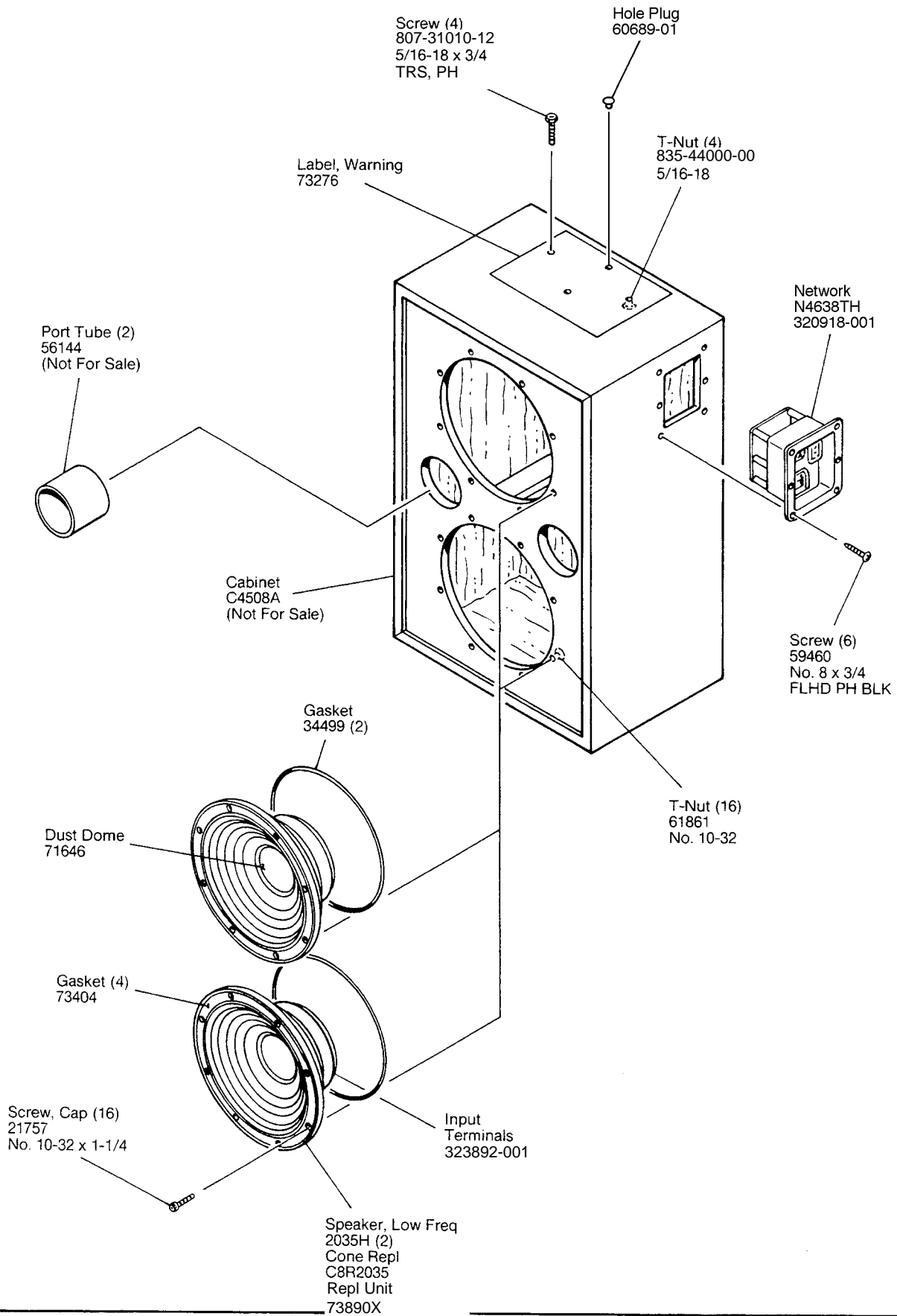
WIRING DIAGRAM



JBL4638TH REV G

JBL4638TH

COMPONENT EXPLODED VIEW



JBL4638TH