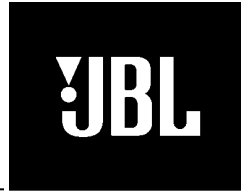


Technical Manual

JBL 4622N

SPECIFICATIONS



PROFESSIONAL

ACOUSTIC & ELECTRICAL SPECIFICATIONS:

- Nominal Impedance: 4 ohms
- Power Capacity: 600W
- Frequency Range: 30 Hz – 20 kHz
- Sensitivity: 101 dB 2V @ 1 Meter
- Crossover Frequency: 750 Hz

SYSTEM COMPONENTS:

- Cabinet: 4509
- Low Frequency Transducer: 380mm (15 in.) 2035HPL-1 Cone Transducer (2) (124-37002-02)
- DC Resistance: 3.9 ohms
- High Frequency Transducer: 2430H (75mm) 3 in. Diaphragm Compression Driver (125-30000-00X)
- DC Resistance: 4.4 ohms ± 10 %

SYSTEM COMPONENTS: (Cont'd)

- Crossover Network: 336967-001
- Terminal Cup: 396-00012-00

AURAL SWEEP TEST SPECIFICATIONS:

- A. System Aural Sweep Test: 7.0V Input, 500 Hz to 20 kHz
- B. L.F. Aural Sweep Test: 10.0V Input, 20 Hz to 200 Hz
- C. H.F. Aural Sweep Test: 0.75V Input, 200 Hz to 1.0 kHz

PHYSICAL SPECIFICATIONS:

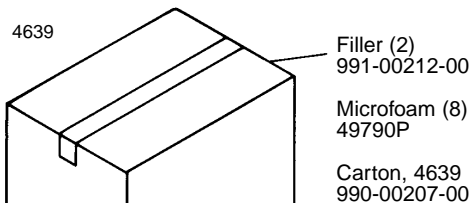
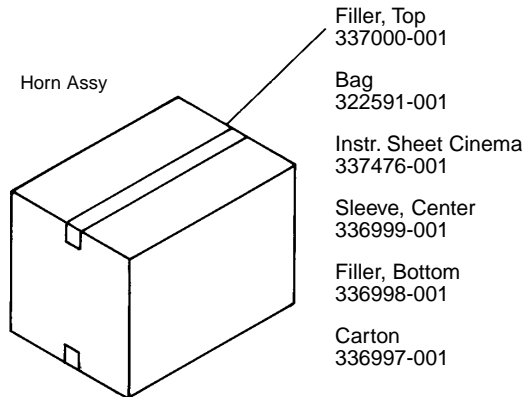
- Enclosure Dimensions: 1289mm x 762mm x 450mm D (50.75 x 30.0 x 17.75 in. D)
- Shipping Weight: 179 lbs. (81.3 kg.)

WARRANTY INFORMATION:

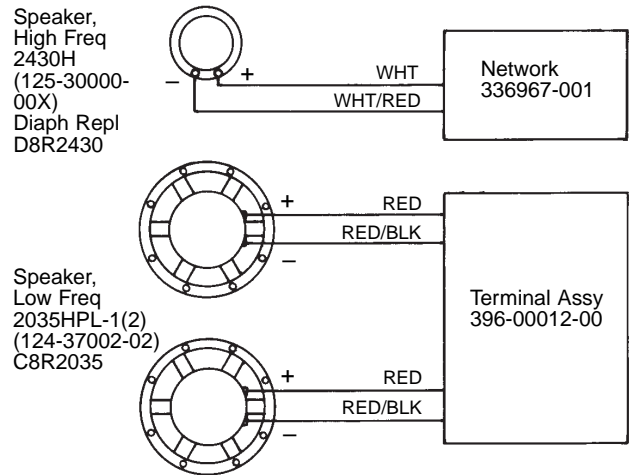
- Refer to Warranty Statement packed with each product.

PACKAGE

Warranty 59660



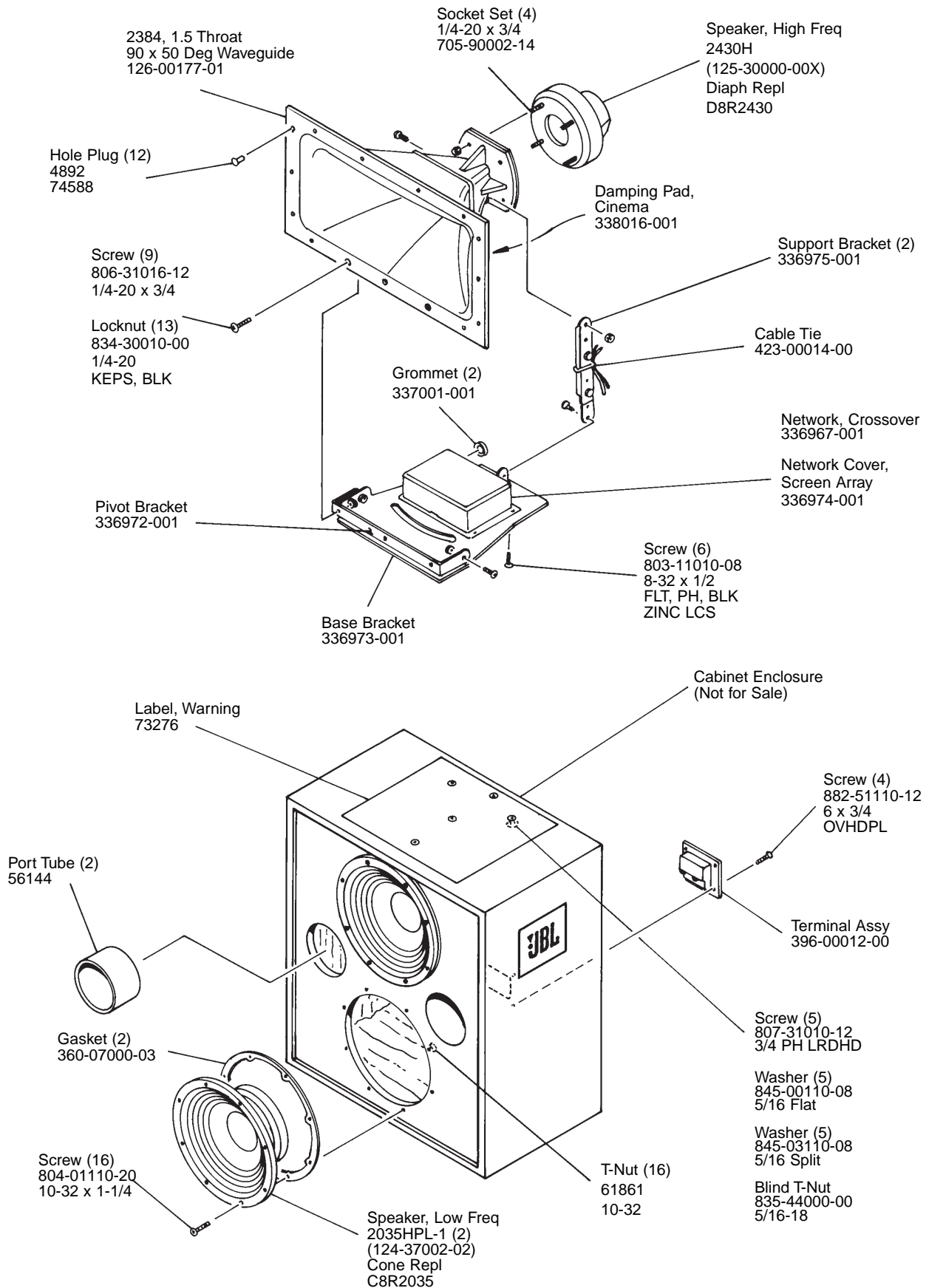
WIRING DIAGRAM



SEE SCHEMATIC PAGE FOR NETWORK 336967-001

JBL 4622N

COMPONENT EXPLODED VIEW



JBL 4622N

SCHEMATIC

CROSSOVER NETWORK (336967-001)

